



OPERATING INSTRUCTIONS FOR:

MRD20/25



Visit woods.se for more information and updated instruction manuals.

For extended warranty register your product at warranty-woods.com

GB	<i>Operating Instructions</i>	PL	<i>Instrukcja obsługi</i>
SE	<i>Bruksanvisning</i>	RO	<i>Manual utilizare</i>
NO	<i>Bruksanvisning</i>	FI	<i>Käyttöohjeet</i>
DK	<i>Betjeningsvejledning</i>	LT	<i>Naudojimosi instrukcija</i>
DE	<i>Bedienungsanleitung</i>	LV	<i>Lietošanas instrukcija</i>
FR	<i>Guide d'instructions</i>	EE	<i>Kasutusjuhend</i>
ES	<i>Manual de instrucciones</i>	GK	<i>Οδηγίες Λειτουργίας</i>
NL	<i>Gebruiksaanwijzing</i>	IS	<i>Notkunarleiðbeiningar</i>

Visit our website to:

Get usage advice, updated brochures, trouble shooter and service information.

Register your product for additional services:
www.warranty-woods.com

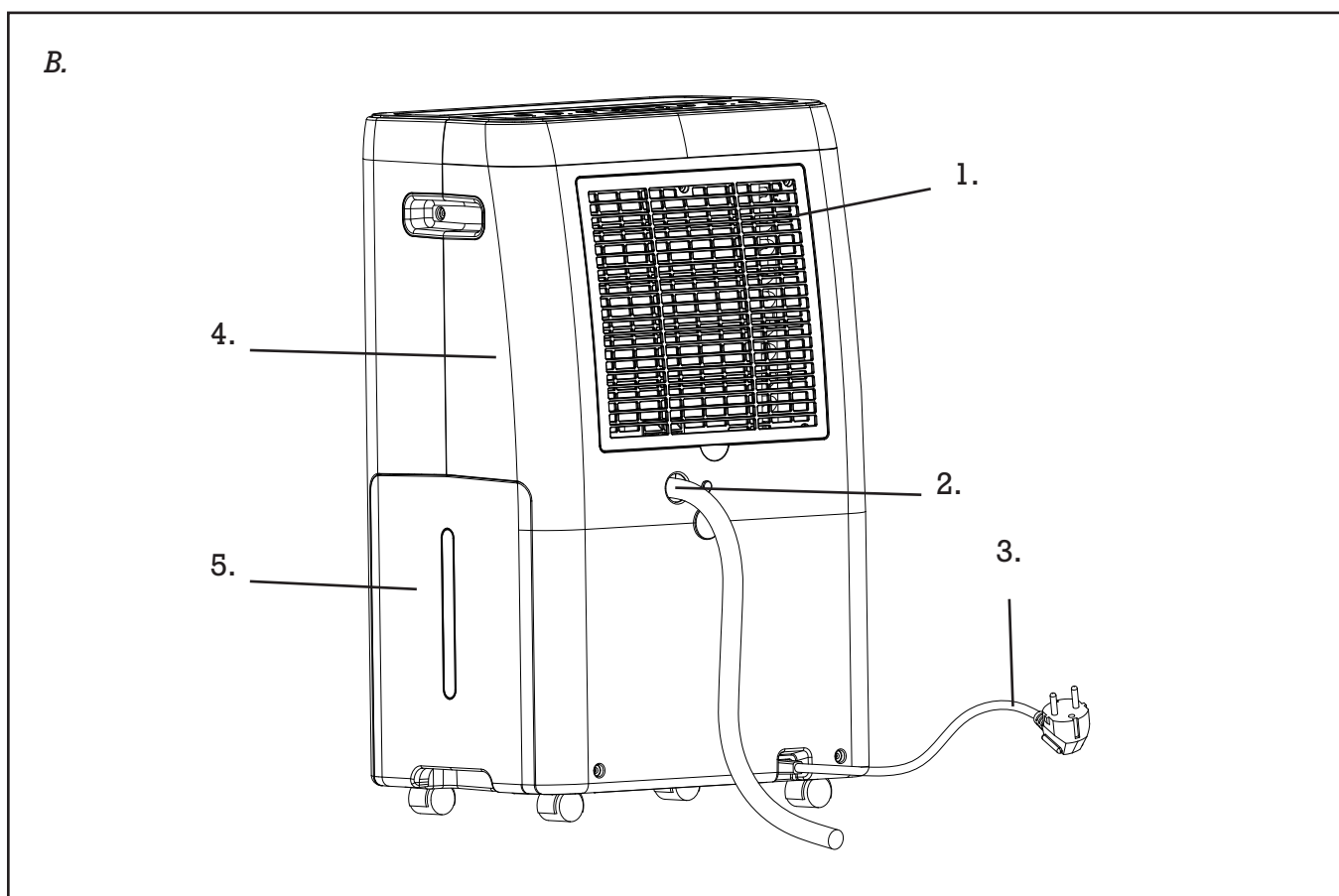
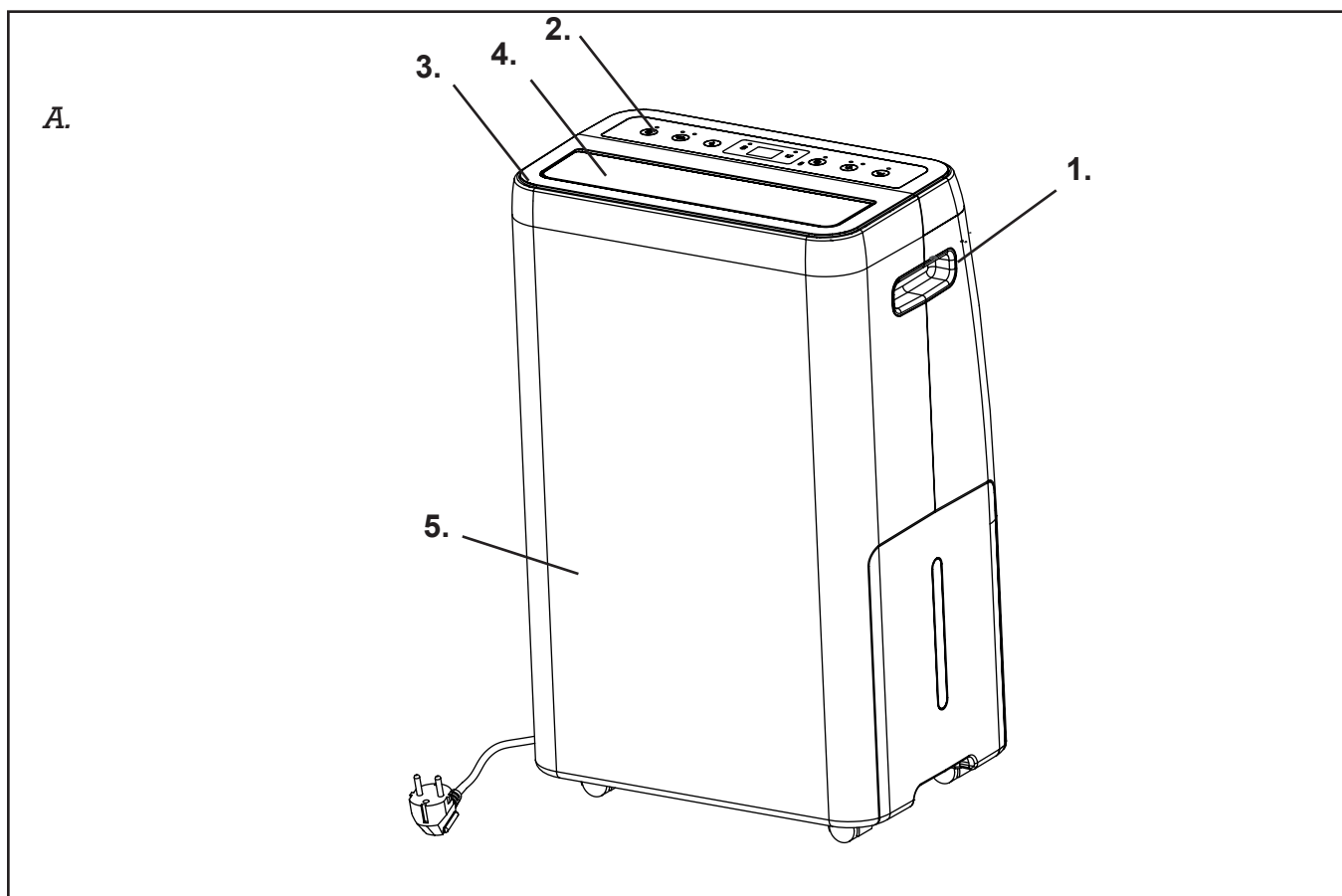
CUSTOMER CARE AND SERVICE

Always use original spare parts.
When contacting our Authorised Service Centre, ensure that you have the following data available: Model number, receipt and serial number.

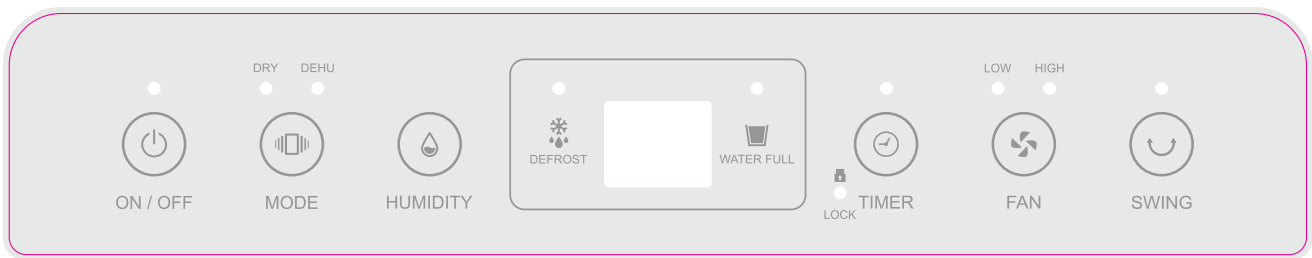
Warning / Caution-Safety information.
General information and tips.
Environmental information.
Subject to change without notice.

TABLE OF CONTENTS

CONTENTS:	PAGE NO.
<i>English</i>	4-13
<i>Swedish</i>	14-20
<i>Norwegian</i>	21-27
<i>Danish</i>	28-34
<i>German</i>	35-41
<i>French</i>	42-48
<i>Spanish</i>	49-55
<i>Dutch</i>	56-62
<i>Polish</i>	63-69
<i>Romanian</i>	70-76
<i>Finnish</i>	77-83
<i>Lithuanian</i>	84-90
<i>Latvian</i>	91-97
<i>Estonian</i>	98-104
<i>Greek</i>	105-111
<i>Icelandic</i>	112-118



C.

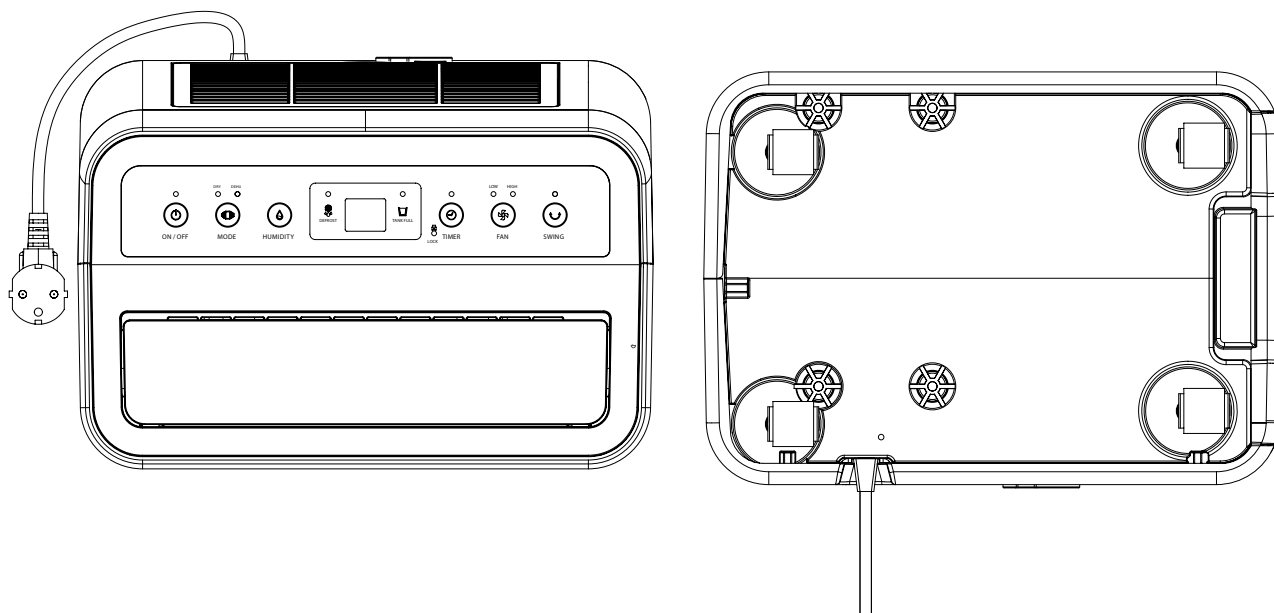


D.

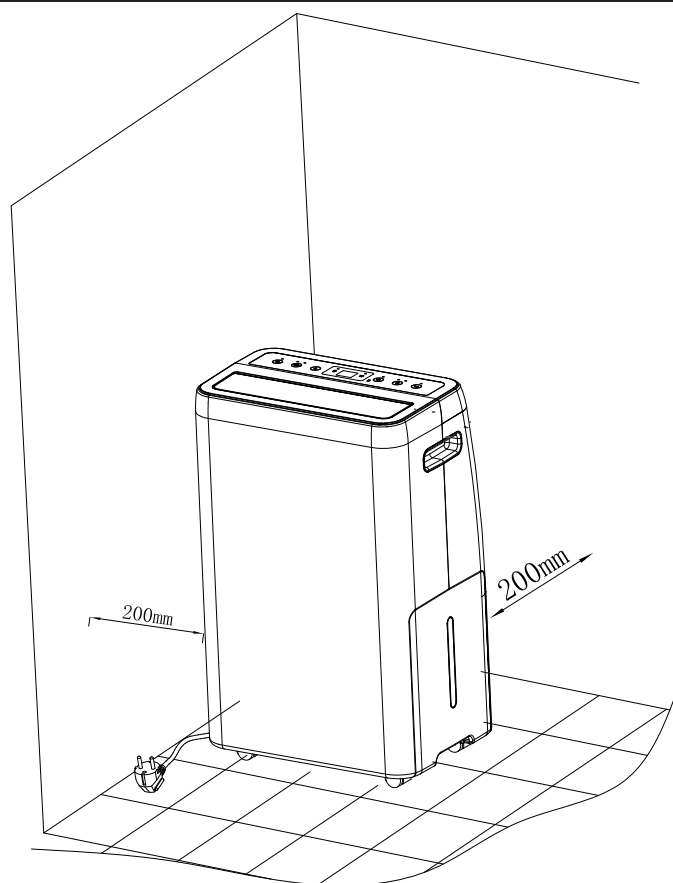


PRODUCT DESCRIPTION

E.



F.



WOOD'S ONE OF THE WORLD'S LEADING DEHUMIDIFIERS

Wood's dehumidifier have been known as market leaders for many years. Their dehumidifiers are suitable for use in the most demanding climates, where dehumidifying capacity is good even at different temperatures and humidity levels. They are used with good results in premises that become damp such as cellars, garages or summer house. They are also excellent for drying washing, attics, pool rooms and laundry. Being efficient and low on energy consumption. Does not wear out clothes.

The amount of humidity that the dehumidifier removes depends on the temperature, humidity level and placement. External weather conditions may also affect the performance of the dehumidifier. Wood's dehumidifiers are safe in operation and intended for use over many years.

EXCESSIVE AIR HUMIDITY – A DANGER

Condensation occurs when water vapour in the air comes into contact with a cold surface such as cold window or wall. When water vapour is cooled down, condensation occurs, and water-drops are formed. In high air humidity, the air may get musty and mould might get formed, causing damage to a house and its furnishings. This environment may even cause illness for the residents. Mites and spiders also thrive in a damp environment. A dehumidifier with high performance creates a good, healthy humidity level. For greatest efficiency the doors and windows of rooms that are being dehumidified should be kept closed. Removes odours, dries wood and removes moisture from outdoors equipment.

1. SECURITY WARNINGS



Flammable material. This appliance contains R290/Propane a flammable refrigerant.



Refer to this manual for safety information.



Read technical manual



Read operators manual.

SAFETY INFORMATION

Before the installation and use of the appliance, carefully read the supplied instructions. The manufacturer is not responsible if an incorrect installation and use causes injuries and damages. Always keep the instructions with the appliance for future reference.

Children and vulnerable people safety

WARNING



Risk of injury or permanent disability.

This appliance can be used by children aged 8 years and above and persons with reduced physical, sensory or mental capabilities or lack of experience and knowledge if they have been given supervision or instruction concerning use of the appliance in a safe way and understand the hazards involved. Do not let children play with the appliance.

Children of less than 3 years should be kept away unless continuously

supervised.

Keep all packaging away from children.

Cleaning and user maintenance shall not be made by children without supervision.

General Safety

This appliance is intended to be used in household and similar applications such as: – basements, crawl spaces; staff kitchen areas in shops, offices and other working environments. The rating plate is located at the back or the side of the dehumidifier.

Keep ventilation openings clear of obstruction.

Do not use mechanical devices or other means to accelerate the defrosting process, other than those recommended by the manufacturer.

The appliance shall not be stored in a room with operating ignition sources (for example; open flames, an operating gas appliance or an operation electric heater. Do not pierce or burn.

Be aware that refrigerants may not contain an odour. Do not use water spray and steam to clean the appliance. Clean the appliance with a moist soft cloth. Only use neutral detergents. Do not use abrasive products, abrasive cleaning pads, solvents or metal objects. If the supply cord is damaged, it must be replaced by the manufacturer, its Authorised Service Centre or similarly qualified persons in order to avoid a hazard.

SAFETY INSTRUCTIONS**Installation****WARNING**

Only a qualified person must install this appliance.

Remove all the packaging.

Do not install or use a damaged appliance. The appliance shall be installed, operated and stored in a room with a floor area larger than 2 m². Obey the installation instruction supplied with the appliance.

Always be careful when you move the appliance because it is heavy. Always wear safety gloves.

Make sure the air can circulate around the appliance.

Wait at least 4 hours before connecting the appliance to the power supply. This is to allow the oil to flow back in the compressor. Do not install the appliance close to radiators or other heat sources. Do not install the appliance where there is direct sunlight.

Electrical connection**WARNING**

Risk of fire and electrical shock.

The appliance must be connected to a grounded outlet.

Make sure that the electrical information on the rating plate matches with the power supply. If not, contact an electrician.

Always use a correctly installed shockproof socket.

Do not use multi-plug adapters and extension cables.

Make sure not to cause damage to the electrical components (e.g. mains plug, mains cable).

Contact the Authorised Service Centre or an electrician to change the electrical components.

The mains cable must stay below the level of the mains plug.

Connect the mains plug to the

mains socket only at the end of the installation.

Make sure that there is access to the mains plug after the installation.

Do not pull the mains cable to disconnect the appliance. Always pull at the mains plug.

Use**WARNING**

Risk of injury, burns, electrical shock or fire.

Do not change the specification of this appliance.

Be careful not to cause damage to the refrigerant circuit. It contains propane (R290), a natural gas with a high level of environmental compatibility. This gas is flammable.

If damage occurs to the refrigerant circuit, make sure that there are no flames and sources of ignition in the room. Ventilate the room.

Do not put flammable products or items that are wet with flammable products near or on the appliance.

Disposal**WARNING**

Risk of injury.

Disconnect the appliance from the mains supply.

Cut off the mains cable and discard it. The refrigerant circuit of this appliance is ozone-friendly. Contact your municipal authority for information on how to discard the appliance correctly.

Do not cause damage to the part of the cooling unit that is near the heat exchanger.

SET UP DEHUMIDIFIER FOR INSTALLATION

IMPORTANT:

2. Installation

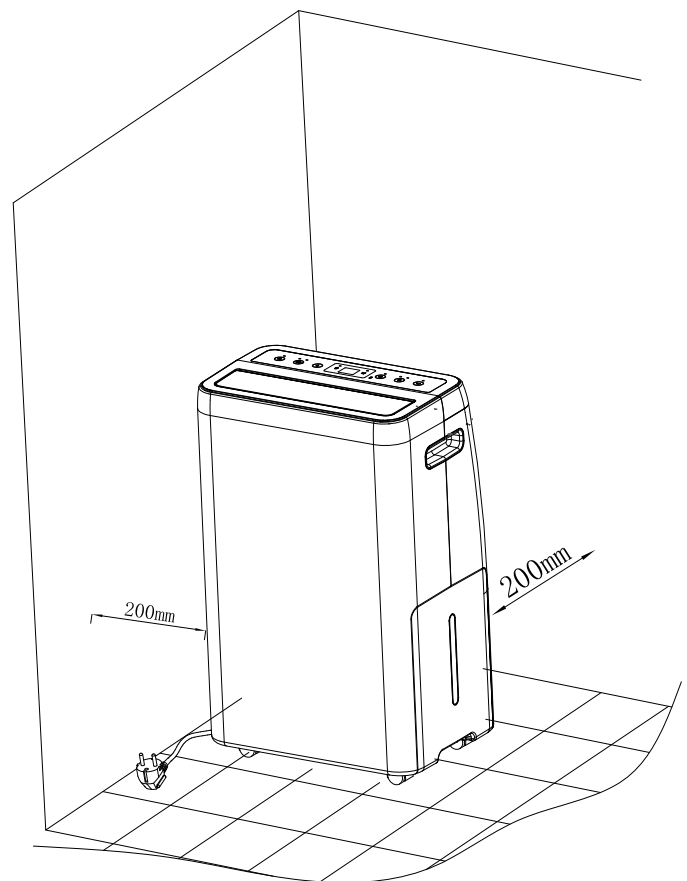
BEFORE FIRST USE

Let the machine stand for 4 hours before use

Selecting a Location

Important

1. Dehumidifier must be operated in an enclosed area to be most effective. Close all doors, windows, and other outside openings to the room. The effectiveness of the dehumidifier depends on the rate at which new moisture-laden air enters the room.
2. Place dehumidifier in a location that does not restrict airflow through the front of the unit.
3. A dehumidifier operating in a room will have little or no effect in drying an adjacent enclosed storage area, such as a closet, unless there is adequate circulation of air in and out of the area. It may be necessary to install a second dehumidifier in the enclosed area for satisfactory drying.
4. Ensure that the unit is placed on a stable and flat surface. If the surface is not stable there is a risk that the unit may be unstable and cause excessive vibration and that water will be released.
5. The dehumidifier must have at least 20 cm free space around the entire dehumidifier.



PRODUCT DESCRIPTION

3. Product description

A

1. Handle
2. Control panel
3. Top lid
4. Swing function
5. Front case

B

1. Air plate
2. Continuous drain pipe
3. Power cord
4. Back casing
5. Water tank

C Control Panel

1. Display function

D Picture D (Picture of symbols on control panel)

1. Power button: This button can control the machine on/off.
2. Mode button: This button can set the machine to work under dry mode or dehumidification mode.(during dry mode, it dehumidifies continuously under the highest speed)
3. Humidity button: During dehumidification mode, this button can set different desired humidity and the range is 50-55-60-65-70-Co-40-45-50-55-60-65-70%RH.
4. Timer button: During operation, if you press this button for <0.5 seconds it can set timer off function 0H/1H/2H/3H/4H/5H/6H/7H/8H to operate a countdown.
5. Fan speed button: This button can set machine to work under low speed or high speed.
6. Swing button: This button can set machine to swing or not swing automatically.
7. Defrost active
8. Water bucket full
9. Child lock: If press timer button for 3 seconds it can set child lock function on or off. During child lock function, only timer and on/off buttons can be set. Just press this button for 3 seconds again to switch off child lock function.

E

TOP AND BUTTON

1. Sketch on the top and underneath the machine

F

1. The dehumidifier must have at least 20 cm free space around the entire dehumidifier.

PLACEMENT OF DEHUMIDIFIER

- The dehumidifier should not be placed near radiators or other heat sources or exposed to direct sunlight, as it will reduce performance.

- Ideal is to put it in the centre of the room / area.



NOTE: When placed in a shower room or bathing area, the dehumidifier should be fixed in place. It is compulsory to check and respect your local bathroom electrical regulations before use.

USING THE DEHUMIDIFIER

If the dehumidifier is transported horizontally, let the dehumidifier stand for a 4 hours before being used. It is very important that the oil runs back into the compressor, otherwise the dehumidifier may be seriously damaged.

1. Check that the water reservoir is correctly placed.
2. Connect the dehumidifier to an grounded power source.
3. Set the desired humidity level by means of the humidity control. See the section on the humidity control.



NOTE: The ambient relative humidity can be simply measured with the dehumidifier.

OPERATION MANUAL

1. Power Button: This button can control the machine on and off.
2. Humidity button: To set the desired humidity, press Humidity button for 5s, it shows ambient temperature (0~40°C) for 5s; if you press and hold the Humidity button, it shows ambient temperature all the time. If you don't press again it automatically show the NTC sensor temperature for 5 seconds then, shows ambient humidity.
3. Humidity Settings: Open the air outlet set humidity between 40%, 50%, 60% or continuous mode.

4. Timer: When the appliance is on, press the Timer 2H/4H/6H to operate a countdown.
5. during operation, it shows ambient humidity from 30,31,32...79,80. If it is < 30%RH, it shows LO; if it is >80%RH,
6. Dehumidification mode you can set humidity level and fan speed 2 levels

MEMORY FUNCTION

1. Press on/off button (plugged inot power socket) and then press on/off button again, it works following previous setting, but timer and child lock function has no memory.
2. No power when operation equals to plug off all of a sudden the machine works automatically when there is power and it memories previous setting, but child lock function has no memory.
3. Unit will automatically turn on and operates in last setting after power returns.. It works under initial default setting during dehumidification mode and works under humidity setting by 50%RH on high speed.

COMPRESSOR PROTECTION FUNCTION

The unit is equipped with compressor protection function—that is, compressor has five minutes period between starts operation and shut down.

WATER DRAINAGE

When the water reservoir is full, the dehumidifier is shut off automatically. Once the water reservoir is emptied the unit will automatically restart.

1. Disconnect the dehumidifier from the power source.
2. Empty the water reservoir.
3. Put the empty water reservoir back and check that the float moves freely.
4. Connect the dehumidifier to the power source.

Direct water drainage

Connect a water hose to the pipe on the back of the dehumidifier. Lead the other end to a drain. Make sure that the water can be drained downwards.

AIR FILTER

The air filter prevents dust and dirt from entering the machine, prolonging its life expectancy. It is important the filter is cleaned regularly.

Filter cleaning:

1. Remove the filter.
2. Wash it with warm water and a mild cleansing agent. Alternatively the filter may be vacuum cleaned.
3. Let the filter dry and put it back.

DEFROSTING OPERATION

During the defrosting operation, the dehumidification function may intermit.

Please don't turn off the switch or pull out the power plug of the dehumidifier during the defrosting operation. This dehumidifier can't be applicable to keep extreme low temperature.

The purpose of this dehumidifier is to pump off the unpleasant high humidity in daily life and dry the wet things. But it can't be used to keep extreme low temperature.

The room temperature increases during the operation.

This dehumidifier doesn't have colling function. It will produce heat during the operation and increase the room temperature to 1 to 4°C. In addition, the door and windows are closed and other appliances in the room can give out heat as well as the radiation of the sun can raise the room temperature.

MAINTENANCE AND CLEANING

For its casing is made of plastic, do not place it in direct sunlight. Remove the water tank with care. If not using the unit for a long time. Please Switch off and unplug the unit, empty the water reservoir, keep it in dry and ventilated place. Only use a soft clean cloth for all cleaning purpose. Do not use gasoline, paint thinner or other chemicals to clean the unit. Cleaning mesh filter: Remove the filter use a vacuum cleaner or water to clean, then put it in ventilated place until it's dry.

SERVICE

If the dehumidifier requires servicing, you must first contact your local retailer. Proof of purchase is required for all warranty claims.

STORAGE

Before storage of the unit, please follow these steps:

1. Make sure the water tank is empty. When the unit is switched on, make sure the unit work at Ventilation mode for at least 30 minutes to remove the water inside the unit.
2. Collect and bundle the power cord.
3. Clean the filter.
4. Store in a clean, dry environment.

Proof of purchase is required for all warranty claims.

HINTS

When the dehumidifier is used in extremely damp environments or when the temperature is below +5°C, the dehumidifier may stop working. A large amount of ice builds up on the cooling coil. Turn off the dehumidifier and place it a little above floor level so that the ice will

melt away.

Sometimes it may be useful to use a frost guard or heater fan to make sure that the temperature does not fall below +10°C. Even if the MRD20/25 work down to temperatures as low as +5°C, its capacity will increase at higher temperatures as warm air carries more water.

The hydrostat has a margin of error of approx. +/- 5-10%. At lower temperatures, the margin of error might increase further.

For maximum dehumidifying power in a room, it is recommended that the air supply from outside and from adjoining rooms is minimized – close doors and ventilators.

Expect higher dehumidification capacity during Autumn / Summer because the outside air is warmer and more humid.

IMPORTANT! - Wood's dehumidifier must be connected to an grounded power source. The power source should be 220V-240V 50Hz

PROBLEM	CAUSE	REMEDY
Dehumidifier does not work	The power is not connected	Check that dehumidifier is connected to electricity and that fuse has not gone. Check that the water reservoir is empty and correctly placed in the dehumidifier.
Does not dehumidify	The water container is full. The water container has not been replaced correctly. The air filter is clogged. The temperature or relative humidity in the room where the device is operating too low.	Remove the water from the container. Place the water container in the correct position. Clean the air filter. Check that air can flow freely though the dehumidifier. Front grid and air filter should be clean and dehumidifier should stand 20cm from wall.
The dehumidifier works, but reduce the relative humidity insufficiently.	The room is too large. There are too many sources of humidity. There is too much ventilation	We recommend using a dehumidifier with a larger capacity. We recommend using a dehumidifier with a larger capacity. Reduce ventilation(e.g close windows and shut doors)

If you are having trouble with your dehumidifier, please refer to the trouble shooting. If none of these works, please contact your retailer for servicing of your dehumidifier.

Guarantees

2 years consumer warranty against production faults. Please note that the warranty is only valid upon the production of the receipt. The warranty is only valid if the product is used in accordance with the instructions and security warnings expressed in this manual. The warranty does not cover any damages caused by improper handling of the product.

NOTE: The 2 years warranty only applies for consumers and not for commercial use of the unit.



NOTE!

Register at www.warranty-woods.com and read about how to get extended warranty. Please visit www.woods.se for more information.

Recommended limits for use

Temp. +5°C to +35°C

Relative humidity: 30% to 90%

Recommended humidity level:
appr. 50% RH

TECHNICAL DATA

	MRD20
Max. working area	70m ²
Air flow	175m ³ /h±10%
Dehumidifying at 35°C and 80% r.h.	21,1 l/24h
Power at 35°C and 80% r.h.	315 W±10%
Tank volume	3,8 liters
Refrigerant	R290
Charge R290	60 g
Voltage	220-240V
Noise level in decibels	48dB
Weight	15,5 kg
Dimensions in mm, L x B x H	355x252x567

	MRD25
Max. working area	120m ²
Air flow	180m ³ /h±10%
Dehumidifying at 35°C and 80% r.h.	25 l/24h
Power at 35°C and 80% r.h.	414 W±10%
Tank volume	3,8 liters
Refrigerant	R290
Charge R290	85 g
Voltage	220-240V
Noise level in decibels	48dB
Weight	16kg
Dimensions in mm, L x B x H	355x252x567

*Technical changes and improvements may occur. All values are approximate and may vary due to external circumstances such as temperature, ventilation and humidity.



*This marking indicates that this product should not be disposed with other household wastes throughout the EU. To prevent possible harm to the environment or human health from uncontrolled waste disposal, recycle it responsibly to promote the sustainable reuse of material resources. To return your us device, please use the return and collection systems or contact the retailer where the product was purchased. They can take this product for environmental safe recycling.

WOOD'S ÄR EN AV VÄRLDENS LEDANDE AVFUKTARE

Wood's avfuktare har varit kända som marknadsledande i många år. Våra avfuktare lämpar sig för användning i de mest krävande klimat, där avfuktningskapaciteten är bra även när temperaturen och luftfuktigheten varierar. De används med gott resultat i lokaler som blir fuktiga, såsom källare, garage eller sommarstugor. De är också utmärkta för torkning av tvätt, på vindar, i poolrum och tvättrum. De är effektiva och drar lite ström. Sliter inte ut kläderna.

Mängden fukt som avfuktaren avlägsnar beror på temperaturen, luftfuktigheten och aggregatets placering. Yttre väderförhållanden kan också påverka avfuktarens prestanda. Wood's avfuktare är säkra att använda och avsedda för användning under många år.

ÖVERDRIVEN LUFTFUKTIGHET – EN FARA

Kondens bildas när vattenånga i luften kommer i kontakt med en kall yta, som ett kallt fönster eller en kall vägg. När vattenånga kyls ner uppstår kondens och det bildas vattendroppar. I hög luftfuktighet kan luften bli unken och det kan bildas mögel, vilket orsakar skador på ett hus och dess inredning. Denna miljö kan även göra att de som bor i huset blir sjuka. Kvalster och spindlar trivs i fuktig miljö. En avfuktare med hög prestanda skapar en bra och hälsosam fuktighetsnivå. För högsta effektivitet ska dörrar och fönster i de rum som ska avfuktas hållas stängda. Elimineras lukt, torkar trä och avlägsnar fukt från utomhusutrustning.

1. SÄKERHETSVARNINGAR



Brandfarligt material. Denna apparat innehåller R290/propan, ett brandfarligt köldmedium.



Se denna bruksanvisning för säkerhetsinformation.



Läs den tekniska manualen
Läs bruksanvisningen.



SÄKERHETSINFORMATION

Läs igenom de medföljande instruktionerna noggrant före installation och användning av apparaten. Tillverkaren tar inget ansvar för felaktig installation som orsakar personskador och materiella skador. Förvara alltid instruktionerna tillsammans med apparaten för framtida referens.

Barn och utsatta personers säkerhet

VARNING



Risk för personskada eller permanent invaliditet. Denna apparat kan användas av barn från 8 år och uppåt och personer med nedsatt fysisk, sensorisk eller mental förmåga eller bristande erfarenhet och kunskap om de har fått tillsyn eller instruktioner om användning av apparaten på ett säkert sätt och förstå de faror som är inblandade. Låt inte barn leka med apparaten.

Barn som är yngre än 3 år bör hållas borta om de inte övervakas kontinuerligt.

Förvara allt emballage utom räckhåll för barn. Rengöring och underhåll får inte göras av barn utan uppsikt.

Allmän säkerhet

Denna apparat är avsedd att användas i hushåll och liknande användningsområden såsom: - källare, kryputrymmen; personalkök i butiker, kontor och andra arbetsmiljöer. Märkskylten sitter på baksidan eller sidan av avfuktaren. Se till att ventilationsöppningarna inte är blockerade.

Använd inte mekaniska anordningar eller andra hjälpmedel för att påskynda avfrostningen än de som rekommenderas av tillverkaren. Apparaten får inte förvaras i ett rum med antändningskällor som är aktiva (till exempel: öppen eld, gasdriven utrustning eller en elektrisk värmare. Får inte punkteras eller brännas.

Tänk på att köldmedier kan avge lukt. Använd inte vattenspray och ånga för att rengöra apparaten. Rengör apparaten med en fuktig, mjuk trasa. Använd endast neutrala rengöringsmedel. Använd inte slipmedel, den slipande sidan på kökssvampar, lösningsmedel eller metallföremål.

Om nätsladden är skadad måste den bytas ut av tillverkaren, dess auktoriserade servicecenter eller liknande kvalificerade personer för att undvika fara.

SÄKERHETSFÖRESKRIFTER

Installation

VARNING



Denna apparat får endast installeras av en fackman.

Ta bort allt emballage. Installera inte eller använd apparaten om den är skadad.

Apparaten ska installeras, användas och förvaras i ett rum med en golvyta som är större än 2 m². Följ installationsanvisningarna som medföljer apparaten.

Var alltid försiktig när du flyttar apparaten eftersom den är tung. Använd alltid skyddshandskar.

Se till att luften kan cirkulera runt apparaten.

Vänta minst 4 timmar innan du ansluter apparaten till strömförsörjningen. Detta är för att oljan ska kunna rinna tillbaka in i kompressorn.

Installera inte apparaten nära radiatorer eller andra värmekällor. Installera inte apparaten på en plats där den utsätts för direkt solljus.

Anslutning till elnätet

VARNING



Risk för brand och elstötar.

Apparaten måste anslutas till ett jordat uttag.

Se till att den elektriska informationen på märkskylten överensstämmer med strömförsörjningen. Om inte, kontakta en elektriker.

Använd alltid ett korrekt installerat, stötsäkert uttag.

Använd inte grenuttag och förlängningskablar.

Se till att de elektriska komponenterna inte skadas (t.ex. stickkontakt, nätsladd).

Kontakta det auktoriserade servicecentret eller en elektriker för att byta ut elektriska komponenter. Nätsladden måste vara placerad på en nivå som är under stickkontakten.

Anslut stickkontakten till eluttaget först när installationen är klar.

Se till att det är enkelt att komma åt stickkontakten efter installationen.

Dra inte i sladden när du ska

koppla från apparaten. Håll alltid i stickkontakten när du ska dra ut sladden.

Använda

VARNING



Risk för brännskador, elstötar eller brand.

Ändra inte specifikationen för denna apparat.

Var försiktig så att inte köldmediekretsen skadas. Kretsen innehåller propan (R290), som är en miljövänlig naturgas. Gasen är brandfarlig.

Om skador uppstår på köldmediekretsen, får det inte finnas någon öppen låga eller antändningskällor i rummet. Vädra ut gasen.

Placera inte brandfarliga produkter eller föremål som är våta med brandfarliga produkter nära apparaten.

Bortskaffning

VARNING



Risk för personskador.

Koppla bort apparaten från elnätet.

Klipp av nätsladden och släng den.

Köldmediekretsen i denna apparat är ozonvänlig. Kontakta din kommun för information om hur du kasserar apparaten korrekt.

Det är viktigt att delen på kylaggregatet som är närmast värmeväxlaren inte skadas.

FÖRBEREDA AVFUKTAREN FÖR INSTALLATION

VIKTIGT!

2. Installation

FÖRE FÖRSTA ANVÄNDNINGEN

Låt maskinen stå upprätt i 4 timmar före användning välj en plats

Viktigt

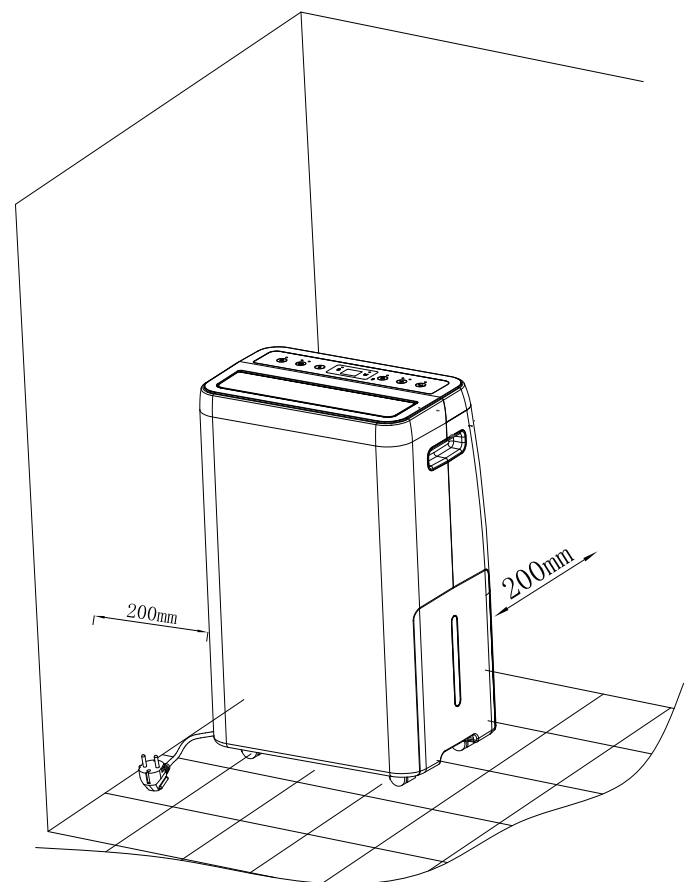
1. Avfuktaren måste användas i ett stängt utrymme för att vara så effektiv som möjligt. Stäng alla dörrar, fönster och andra öppningar till utsidan i rummet. Avfuktarens effektivitet beror på den hastighet med vilken ny fuktig luft kommer in i rummet.

2. Placera avfuktaren på en plats där luftflödet genom enhetens framsida inte begränsas.

3. En avfuktare som används i ett rum har liten eller ingen effekt när det gäller att torka ett angränsande stängt utrymme, t.ex. en garderob, om det inte finns tillräcklig luftcirkulation in i och ut från det aktuella utrymmet. En andra avfuktare kan behöva installeras i det stängda utrymmet för tillfredsställande torkning.

4. Se till att enheten är placerad på en stabil och plan yta. Om ytan inte är stabil, finns det risk att enheten blir instabil och orsakar kraftiga vibrationer, vilket kan göra att det läcker ut vatten.

5. Avfuktaren måste placeras så att avståndet till väggar och liknande är minst 20 cm.



PRODUKTBESKRIVNING

3. Produktbeskrivning

A

1. Handtag
2. Kontrollpanelen
3. Övre lock
4. Svängfunktion
5. Främre hölje

B

1. Luftplatta
2. Slang för kontinuerlig dränering
3. Nätsladd
4. Bakre hölje
5. Vattenbehållare

C

1. Kontrollpanelen

D

1. Strömknapp: Den här knappen kan styra maskinen på / av.
2. Mode-knapp: Denna knapp kan ställa in maskinen så att den fungerar i torrt läge eller avfuktningläge. (Under torrläge avfuktar den kontinuerligt under högsta hastighet)
3. Luftfuktighetsknapp: Under avfuktningläge kan denna knapp ställa in olika önskad fuktighet och intervallet är 50-55-60-65-70-Co-40-45-50-55-60-65-70% RF.
4. Timerknapp: Om du trycker på denna knapp under <0,5 sekunder kan den stänga av timerfunktionen 0H / 1H / 2H / 3H / 4H / 5H / 6H / 7H / 8H för att använda en nedräkning.
5. Fläkthastighetsknapp: Denna knapp kan ställa in maskinen så att den fungerar under låg hastighet eller hög hastighet.
6. Svingknapp: Den här knappen kan ställa in maskinen så att svingfunktionen svänger automatiskt eller är låst i ett läge.
7. Avfrostning är aktiv
8. Vatten hink full
9. Barnlås: Om du trycker på timerknappen i 3 sekunder kan den aktivera eller stänga av barnlåsfunktionen. Under barnlåsfunktionen kan endast timer och på / av-knappar ställas in. Tryck bara på knappen igen i 3 sekunder för att stänga av barnlåsfunktionen.

E

1. Illustration på toppen och under maskinen

F

Kontrollpanelen

1. Avfuktaren måste placeras så att avståndet till väggar och liknande är minst 20 cm.

PLACERING AV AVFUKTAREN

- Avfuktaren bör inte placeras i närheten av radiatorer eller andra värmekällor eller exponeras för direkt solljus, eftersom det kommer att göra att prestandan försämras.



- Idealt ska avfuktaren placeras i mitten av rummet/utrymmet.

OBS! Om avfuktaren placeras i ett dusch- eller badrum, bör avfuktaren skruvas fast. Det är obligatoriskt att kontrollera och följa de lokala bestämmelserna för installation i våtrum före användning.

ANVÄNDA AVFUKTAREN

Om avfuktaren transporteras liggande, låt den stå upprätt i 4 timmar före användning. Det är mycket viktigt att oljan rinner tillbaka in i kompressorn, eftersom avfuktaren annars kan ta allvarlig skada.

1. Kontrollera att vattenbehållaren är rätt placerad.
2. Anslut avfuktaren till ett jordat eluttag.
3. Ställ in önskad fuktighetsnivå med hjälp av fuktkontrollen. Se avsnittet om fuktkontroll.



OBS! Den omgivande relativa luftfuktigheten kan enkelt mätas med avfuktaren.

BRUKSANVISNING

1. Strömknapp: Denna knapp används för att slå på och stänga av maskinen.
2. Knappen Luftfuktighet: För att ställa in önskad luftfuktighet tryck på fuktighetsknappen i 5 sekunder, den visar omgivningstemperatur (0 ~ 40 °C) under 5 sekunder; om du håller ner Luftfuktighetsknappen visar den omgivningstemperatur hela tiden. Om du inte trycker på igen visar NTC-sensortemperaturen automatiskt i 5 sekunder och visar då omgivningens fuktighet.
3. Inställningar för luftfuktighet: Öppna luftutloppet och ställ in

luftfuktigheten på 40 %, 50 %, 60 % eller kontinuerligt läge.

4. Timer: När apparaten är påslagen, tryck på timern 2H/4H/6H för att använda nedräkningsfunktionen.
5. under operationen visar den omgivande luftfuktighet från 30,31,32 ... 79,80. Om det är < 30% RF, det visar LO; om det är > 80% relativ fuktighet,
6. Avfuktningläge kan du ställa in fuktighetsnivå och fläkthastighet 2 nivåer

MINNESFUNKTION

1. Tryck på på / av-knappen (ansluten strömknapp) och tryck sedan på av / på-knappen igen, det fungerar efter föregående inställning, men timer och barnlåsfunktion har inget minne.
2. Ingen ström när drift är lika med att plötsligt slå av maskinen fungerar maskinen automatiskt när det finns ström och den minns tidigare inställning, men barns låsfunktion har inget minne.
3. Enheten slås automatiskt på och fungerar i sista inställning efter att strömmen har återgått. Den fungerar under den initiala standardinställningen under avfuktningläget och arbetar under fuktinställning med 50% RH vid hög hastighet.

FUKTKONTROLL

Wood's avfuktare är utrustad med en inbyggd fuktkontroll som ställs in på önskad fuktnivå. Fuktkontrollen känner av den aktuella fuktighetsnivån och ser till att avfuktaren slås av och på automatiskt.

VATTENDRÄNERING

När vattenbehållaren är full stängs avfuktaren av automatiskt. När vattenbehållaren har tömts kommer enheten att starta om automatiskt.

1. Koppla bort avfuktaren från strömkällan.
2. Töm vattenbehållaren.
3. Sätt tillbaka den tomma vattenbehållaren och kontrollera att flottören kan röra sig fritt.
4. Anslut avfuktaren till strömkällan.

Direkt vattendränning

Anslut en vattenslang till röret på baksidan av avfuktaren. Dra den andra änden av slangen till ett avlopp. Se till att vattnet

kan tömmas nedåt.

LUFTFILTRET

Luftfiltret förhindrar att damm och smuts tränger in i maskinen, och förlänger på så sätt den förväntade livslängden. Det är viktigt att filtret rengörs regelbundet. Rengöring av filtret:

1. Ta bort filtret.
2. Tvätta av filtret med varmt vatten och ett mildt rengöringsmedel. Alternativt kan filtret dammsugas rent.
3. Låt filtret torka och installera det igen.

AVFROSTNING

I samband med avfrostning kan avfuktningfunktionen tillfälligt stängas av.

Stäng inte av strömbrytaren eller dra ut stickkontakten till avfuktaren under avfrostningen. Den här avfuktaren kan inte användas för att hålla en mycket låg temperatur.

Syftet med den här avfuktaren är att ta bort luftfuktighet som upplevs som obehagligt hög och torka våta föremål. Den kan dock inte användas för att hålla en extremt låg temperatur.

Rumstemperaturen stiger när avfuktaren är påslagen.

Denna avfuktare har ingen kylfunktion. Den kommer att alstra värme under avfrostningen och gör att rumstemperaturen ökar med mellan 1 och 4 °C. Dessutom är dörren och fönstren stängda och andra apparater i rummet kan generera värme, vilket i kombination med solinstrålningen kan höja temperaturen i rummet.

UNDERHÅLL OCH RENGÖRING

Då höljet är tillverkat av plast, placera det inte i direkt solljus.

Ta bort vattentanken försiktigt.

Om du inte använder enheten på länge.

Stäng av och koppla ur enheten, töm vattenbehållaren, förvara den på torr och ventilerad plats. Använd bara en mjuk ren trasa för alla rengöringsändamål. Använd inte bensin, färgtunnare eller andra kemikalier för att rengöra enheten.

Rengöring av nätfiltre: Ta bort filtret med hjälp av en dammsugare eller vatten för att rengöra, lägg det sedan på ventilerad plats tills det är torrt.

SERVICE

Om avfuktaren behöver servas, måste du först kontakta din lokala återförsäljare. Kvitto måste uppvisas för alla

garantianspråk.

FÖRVARING

Följ stegen nedan innan du förvarar enheten:

1. Se till att vattenbehållaren är tom. När enheten slås på, se till att låta den gå i ventilationsläget i minst 30 minuter för att avlägsna vattnet inne i enheten.
2. Rulla ihop nätsladden.
3. Rengör filtret.
4. Förvara på en ren och torr plats.

Kvitto måste uppvisas för alla garantianspråk.

TIPS

Om avfuktaren används i extremt fuktiga miljöer eller om temperaturen är lägre än +5 °C, stängs avfuktaren av automatiskt.

Det har bildats mycket is på kylspolen. Stäng av avfuktaren och ställ den lite över golvnivån så att isen smälter.

Ibland kan det vara bra att använda ett frostskydd eller en varmluftsfläkt för att se till att temperaturen inte sjunker under +10 °C. Även om MRD20/14 arbetar ned till så låga temperaturer som +5 °C ökar kapaciteten vid högre temperaturer eftersom varm luft bär mer vatten.

Hydrostaten har en felmarginal på cirka +/- 5-10 %. Vid lägre temperaturer kan felmarginalen öka ytterligare.

För maximal avfuktningseffekt i ett rum rekommenderas att tillförseln av luft utifrån och angränsande rum minimeras – stäng dörrar och stäng av fläktar.

Räkna med högre avfuktningsskapacitet under höst/sommar eftersom utomhusluften då är varmare och fuktigare.

VIKTIGT! Wood's avfuktaren måste anslutas till ett jordat eluttag. Spänningen bör vara 220V-240V 50Hz

PROBLEM	ORSAK	ÅTGÄRD
Avfuktaren går inte igång	Kontakten är inte isatt	Kontrollera att avfuktaren är ansluten till elnätet och att säkringen inte har gått. Kontrollera att vattenbehållaren är tom och att den har i satts i avfuktaren korrekt.
Enheten avfuktar inte	Vattenbehållaren är full. Vattenbehållaren har inte satts i korrekt. Luftfiltret är igensatt. Temperaturen eller den relativa luftfuktigheten i rummet där enheten är placerad är för låg.	Töm ut vattnet i behållaren. Sätt i vattenbehållaren i rätt läge. Rengör luftfiltret. Kontrollera att luften kan cirkulera fritt genom avfuktaren. Frontgallret och luftfiltret bör vara rent och avfuktaren stå minst 20 cm från väggen.
Avfuktaren är påslagen men sänker inte den relativa luftfuktigheten tillräckligt mycket.	Rummet är för stort. Det finns för många fuktkällor. Det finns för mycket ventilation	Vi rekommenderar att du använder en luftfuktare med större kapacitet. Vi rekommenderar att du använder en luftfuktare med större kapacitet. Minska ventilationen (genom att t.ex. stänga fönster och dörrar)
Om du har problem med din avfuktare, se felsökningen. Om inget av nedanstående fungerar, kontakta din återförsäljare för att få din avfuktare servad.		

Garantier

2 års konsumentgaranti mot produktionsfel. Observera att garantin endast gäller mot uppvisande av kvittot. Garantin gäller endast om produkten används i enlighet med instruktionerna och säkerhetsvarningarna i denna manual. Garantin täcker inte skador orsakade av felaktigt handhavande av produkten.

OBS! Den 2-åriga garantin gäller endast för konsumenter och inte för kommersiell användning av enheten.



OBS!

Registrera produkten på www.warranty-woods.com och läs om hur du förlänger garantin. Gå in på www.woods.se för mer information.

Rekommenderade gränsvärden för användning

Temp. +5°C till +35°C
 Relativ luftfuktighet: 30 % till 90 %
 Rekommenderad fuktighetsnivå:
 ca 50% RH

TEKNISKA DATA

	MRD20
Max arbetsområde	70 ^{m²}
Luftflöde	175m ³ /h±10%
Avfuktning vid 30 °C och 80% r.h.	21,1 l / 24h
Effekt vid 30 °C och 80 % r.h.	315 W±10%
Vattenbehållarens volym	3,8 liter
Köldmedium	R290
Fyll på R290	60 g
Driftspänning	220-240V
Ljudnivå i decibel	48dB
Vikt	15,5 kg
Mått i mm, L x B x H	355x252x567

	MRD25
Max arbetsområde	120 ^{m²}
Luftflöde	180m ³ /h±10%
Avfuktning vid 30 °C och 80% r.h.	25 l/24h
Effekt vid 30 °C och 80 % r.h.	414 W±10%
Vattenbehållarens volym	3,8 liter
Köldmedium	R290
Fyll på R290	85 g
Driftspänning	220-240V
Ljudnivå i decibel	48dB
Vikt	16 kg
Mått i mm, L x B x H	355x252x567

*Tekniska ändringar och förbättringar kan förekomma. Alla värden är ungefärliga och kan variera beroende på yttre omständigheter såsom temperatur, ventilation och luftfuktighet.



*Den här märkningen visar att den här produkten inte ska slängas i hushållsavfallet, i hela EU. För att förhindra skador på miljön eller människors hälsa till följd av okontrollerad sophantering ber vi dig att återvinna produkten ansvarsfullt för att främja hållbar återanvändning av materialresurser. För att återvinna din enhet, vänligen använd retur- och insamlingsystemen eller kontakta återförsäljaren där produkten köptes. De kan lämna in denna produkt för miljösäker återvinning.

WOOD'S ER EN VERDENSLÉDE AVFUKTER

Wood's avfuktere har vært kjent som markedsledende i mange år. Avfukterne kan brukes i de mest krevende klimaer med god avfuktingskapasitet selv ved forskjellige temperaturer og luftfuktighetsnivåer. De brukes med gode resultater på steder der det dannes fuktighet, som i kjellere, garasjer og sommerhus. De er også velegnet til tørkerom, loft, bad og vaskerom. Effektive, med lavt strømforbruk. Sliter ikke på klær.

Mengden fuktighet som fjernes, avhenger av temperaturen, luftfuktigheten og plasseringen. Eksterne værforhold kan også påvirke avfukterens yteevne. Wood's luftfuktere er trygge å bruke, og de varer i mange år.

FOR HØY LUFTFUKTIGHET UTGJØR EN FARE

Kondens oppstår når vanndampen i luften kommer i kontakt med en kald overflate som et kaldt vindu eller en kald vegg. Når vanndamp nedkjøles, oppstår det kondens og det dannes vanndråper. Ved høy luftfuktighet kan luften bli fuktig, og det kan dannes mugg som skader hus og møbler. Dette miljøet kan også gjøre at beboerne blir syke. Midd og edderkopper trives også i fuktige omgivelser. En avfukter med høy effekt skaper et godt og sunt luftfuktighetsnivå. For å oppnå best mulig effekt bør du lukke vinduer og dører til rom som avfuktes. Fjerner lukt, tørker ved og fjerner fuktighet fra sportsutstyr.

1. SIKKERHETSADVARSLER



Brennbart materiale. Denne enheten inneholder det brennbare kuldemediet R290/propan.



Du finner sikkerhetsinformasjon i denne bruksanvisningen.



Les den tekniske håndboken



Les bruksanvisningen.

SIKKERHETSINFORMASJON

Les de vedlagte anvisningene nøye før utstyret installeres og brukes. Fabrikanten er ikke ansvarlig dersom feilaktig installering og bruk forårsaker skade på personer eller eiendom. Oppbevar alltid bruksanvisningen sammen med enheten til fremtidig bruk.

Sikkerheten til barn og sårbare mennesker

ADVARSEL

Fare for personskade eller varig uførhet.

Denne enheten kan brukes av barn fra 8 år og oppover, samt av personer med nedsatte fysiske, sensoriske eller mentale evner eller manglende erfaring og kunnskap, så fremt de har tilsyn eller har fått innføring i hvordan enheten brukes på en trygg og sikker måte, samt at de er klar over de farer bruken medfører.

Ikke la barn leke med enheten.

Barn under 3 år bør holdes unna

enheten hvis de ikke har konstant tilsyn. Oppbevar alt emballasjemateriale utilgjengelig for barn. Rengjøring og vedlikehold skal ikke utføres av barn uten tilsyn.

Generell sikkerhet

Denne enheten er ment til bruk i husholdninger og tilsvarende, som: – kjellere, krypkjellere, personalkjøkken i butikker, kontorer og andre arbeidsmiljøer. Merkeplaten er plassert på baksiden av avfukteren. Sørg for at ventilasjonsåpningene ikke er tildekket.

Ikke bruk mekanisk utstyr eller annet for å fremskynde avrimingsprosessen. Følg fabrikantens anvisninger. Enheten skal ikke oppbevares i rom der det finnes antenneskilder (for eksempel åpen ild, gassdrevet utstyr i drift eller elektrisk varmeovn. Må ikke punkteres eller brennes. Vær oppmerksom på at kuldemedier kan være helt uten lukt. Ikke rengjør enheten med vandusj og damp. Rengjør enheten med en fuktet myk klut. Bruk kun nøytrale rengjøringsmidler. Ikke bruk skurende produkter, skuresvamp, løsemidler eller metallgjenstander. Hvis strømledningen skades, må den skiftes ut av fabrikanten, godkjent verksted eller kvalifiserte

personer for å unngå fare.

SIKKERHETSANVISNINGER

Installasjon

ADVARSEL



Denne enheten må kun installeres av en kvalifisert person.

Fjern all emballasje.

Ikke installer eller bruk en skadet enhet. Enheten skal installeres,

brukes og oppbevares i et rom med en gulvflate større enn 2 m².

Følg monteringsanvisningen som leveres med enheten.

Vær alltid forsiktig når du flytter enheten – den er tung! Bruk alltid vernehansker.

Påse at luften kan sirkulere rundt enheten.

Vent i minst 4 timer før enheten tilkoples strømmettet. Dette er for at oljen skal kunne renne tilbake i kompressoren.

Ikke installer enheten nær radiatorer eller andre varmekilder. Ikke installer enheten slik at den blir stående i direkte sollys.

Strømtilkobling

ADVARSEL



Fare for brann og elektrisk støt.

Enheten må koples til en jordet stikkontakt.

Påse at den elektriske informasjonen på merkeplaten samsvarer med strømtilførselen.

Hvis ikke må du kontakte elektriker.

Bruk alltid korrekt montert stikkontakt.

Ikke bruk grenuttak og skjøteledninger.

Pass på at de elektriske komponentene (f.eks. støpsel, strømledning) ikke skades.

Kontakt autorisert servicesenter eller elektriker for å få skiftet de

elektriske komponentene.

Strømledningen må ligge lavere enn støpselet.

Ikke plugg støpselet i stikkontakten før installeringen er fullført.

Påse at støpselet er tilgjengelig når installeringen er fullført.

Ikke dra i ledningen for å trekke ut støpselet. Hold alltid i støpselet.

Bruk

ADVARSEL



Fare for personskade, brannskade, elektrisk støt eller brann.

Enhetens spesifikasjoner må ikke endres.

Pass på at kjølekretsen ikke blir skadd. Den inneholder propan (R290), en naturgass med god miljøkompatibilitet. Denne gassen er antennbar.

Hvis det oppstår skade på kjølekretsen, må man påse at det ikke er flammer og antennelseskilder i rommet. Luft ut rommet.

Ikke legg antennebare produkter eller gjenstander våte av antennebare produkter nær eller på enheten.

Avfallshåndtering

ADVARSEL



Fare for personskade.

Kople enheten fra strømmettet.

Klipp av strømledningen og kast den. Denne enhetens kjølemediumkrets er miljøvennlig.

Ta kontakt med den lokale gjenvinningsstasjonen for å få informasjon om korrekt kassering av enheten.

Ikke skad den delen av kjøleenheten som er nærmest varmeveksleren.

PLASSERE AVFUKTEREN FOR INSTALLASJON

VIKTIG:

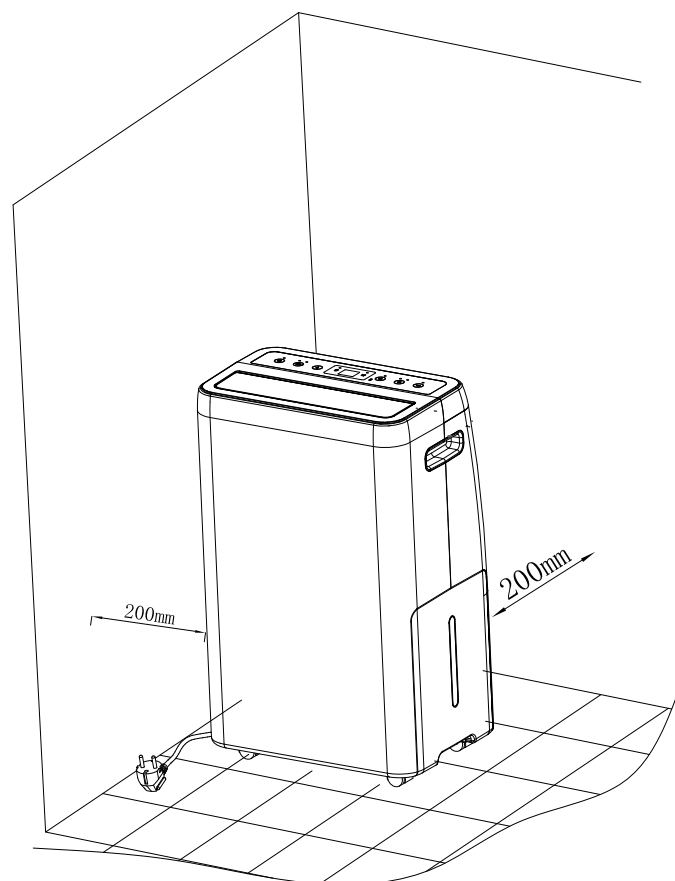
2. Installasjon

FØR FØRSTE GANGS BRUK

La maskinen stå i 4 timer før den tas i bruk
Velg et sted

Viktig

1. Avfukteren må brukes i et lukket rom for å oppnå maksimal effekt.
Lukk alle dører, vinduer og andre åpninger til rommet. Avfukterens effektivitet avhenger av hvor raskt fuktig luft kommer inn i rommet.
2. Plasser avfukteren på et sted som ikke begrenser luftstrømmen gjennom enhetens front.
3. En avfukter som er i drift i et rom, har liten eller ingen effekt i tilstøtende lager, for eksempel klesskap, med mindre det er tilstrekkelig luftsirkulasjon inn og ut av rommet. Det kan være behov for en ekstra avfukter i det lukkede rommet for å oppnå tilstrekkelig avfukting.
4. Påse at enheten plasseres på et stabil og flatt underlag. Hvis underlaget ikke er stabilt, er det fare for at enheten kan bli ustabil og forårsake store vibrasjoner, og at det slippes ut vann.
5. Det må være minst 20 cm avstand rundt hele avfukteren.



PRODUKTBeskrivelse

3. Produktbeskrivelse

A

1. Håndtak
2. Kontrollpanel
3. Toppløkk
4. Dreiefunksjon
5. Frontdeksel

B

1. Luftplate
2. Slange for kontinuerlig drenering
3. Strømledning
4. Deksel bak
5. Vannbeholder

C

1. Kontrollpanel

D

1. Av / på-knapp: Denne knappen kan kontrollere maskinen av / på.
2. Modusknapp: Denne knappen kan stille maskinen til å fungere i tørrmodus eller avfuktingsmodus. (I tørrmodus avfukter den kontinuerlig under høyeste hastighet)
3. Luftfuktighetsknapp: Under avfuktingsmodus kan denne knappen stille inn forskjellige ønsket fuktighet og området er 50-55-60-65-70-Co-40-45-50-55-60-65-70% RF.
4. Timer-knapp: Hvis du trykker på denne knappen i <0,5 sekunder, kan den stille av timer-funksjonen 0H / 1H / 2H / 3H / 4H / 5H / 6H / 7H / 8H for å betjene en nedtelling.
5. Viftehastighetsknapp: Denne knappen kan stille maskinen til å fungere under lav hastighet eller høy hastighet.
6. Svingknapp: Denne knappen kan stille maskinen til å svinge eller ikke svinge automatisk.
7. Avriming aktiv
8. Vannbøtte full
9. Barnesikring: Hvis du trykker på timer-knappen i 3 sekunder, kan den slå barnesikrings-funksjonen av eller på. Under barnesikrings-funksjon kan bare timer og av / påstillinger stilles inn. Bare trykk på denne knappen i

3 sekunder igjen for å slå av barnesikrings-funksjonen.

E

Kontrollpanel

1. Illustrasjon på toppen og under maskinen

F

1. Det må være minst 20 cm avstand rundt hele avfukteren.

PLASSERING AV AVFUKTEREN

- Avfukteren skal ikke plasseres nær stråleovner eller andre varmekilder, og ikke utsettes for direkte sollys, da dette vil redusere effekten.
- Bør plasseres midt i rommet.



MERK: Hvis avfukteren plasseres i et dusj- eller badrom, skal den være fastmontert. Det er obligatorisk å kontrollere og følge de lokale kravene til el-anlegg for våtrom før bruk.

BRUKE AVFUKTEREN

Hvis avfukteren transporteres liggende, må den plasseres stående og stå i 4 timer før den brukes. Det er svært viktig at oljen renner tilbake inn i kompressoren, ellers kan avfukteren bli alvorlig skadd.

1. Kontroller at vannbeholderen er riktig plassert.
2. Plugg avfukteren i en jordet stikkontakt.
3. Still inn ønsket luftfuktighetsnivå ved hjelp av luftfuktighetskontrollen. Se avsnittet om luftfuktighetskontrollen.



MERK: Den relative luftfuktigheten i rommet kan måles med avfukteren.

BRUKSANVISNING

1. Strømknapp: Bruk denne knappen til å slå enheten på og av.
2. Knapp for luftfuktighet: Velg ønsket luftfuktighet. For å stille inn ønsket fuktighet, trykk på fuktighetsknappen i 5 sekunder, den viser omgivelsestemperatur (0 ~ 40 °C) i 5 sekunder; Hvis du trykker på og holder nede fuktighetsknappen, viser den omgivelsestemperatur hele tiden. Hvis du ikke trykker på igjen, viser den NTC-sensortemperaturen automatisk i 5 sekunder, og viser deretter luftfuktighet.
3. Fuktighetsinnstillinger: Åpne

luftutløpsinnstillingen fuktighet mellom 40%, 50%, 60% eller kontinuerlig modus.

4. Stille inn luftfuktighet: Åpne luftåpningen, og sett luftfuktigheten til 40 %, 50 %, 60 % eller kontinuerlig drift.
5. Tidsur: Når apparatet er slått på, trykker du på Timer 2H/4H/6H for å starte nedtellingen. under drift viser den luftfuktighet fra 30,31,32 ... 79,80. Hvis det er < 30% RF, det viser LO; hvis det er > 80% RF,
6. Avfuktingsmodus kan du stille inn fuktighetsnivå og viftehastighet 2 nivåer

MINNEFUNKSJON

7. Trykk på av / på-knappen (plugget inn strømkontakten) og trykk deretter på / av-knappen igjen, den fungerer etter forrige innstilling, men timer og barnesikringsfunksjon har ikke noe minne.
8. Ingen strøm når drift tilsvarer å plukke av plutselig. Maskinen fungerer automatisk når det er strøm og husker forrige innstilling, men barnesikringsfunksjonen har ikke noe minne.
9. Enheten slås automatisk på og fungerer i siste innstilling etter at strømmen er kommet tilbake. Den fungerer under den første standardinnstillingen under avfuktingsmodus og fungerer under fuktighetsinnstilling med 50% RF på høy hastighet.

LUFTFUKTIGHETSKONTROLL

Wood's avfukter er utstyrt med en innebygd luftfuktighetskontroll som stilles på ønsket luftfuktighetsnivå. Kontrollen registrerer gjeldende luftfuktighetsnivå og sørger for at avfukteren slås på og av automatisk.

DRENERE VANN

Når vannbeholderen er full, slås avfukteren av automatisk. Når vannbeholderen er tømt, starter enheten igjen automatisk.

1. Trekk avfukterens støpsel ut av stikkontakten.
2. Tøm vannbeholderen.
3. Sett den tomme vannbeholderen tilbake og kontroller at flottøren beveger seg fritt.
4. Koble avfukteren til strømmettet.

Drenering til avløp

Koble en vannslange til røret på baksiden av avfukteren. Legg den andre enden i avløpet. Sørg for at vannet kan renne fritt nedover.

LUFTFILTER

Luftfilteret sørger for at det ikke kommer støv og smuss inn i maskinen, slik at levetiden forlenges. Filteret må rengjøres regelmessig. Rengjøring av filteret:

1. Fjern filteret.
2. Vask det med varmt vann og mild såpe. Filteret kan også støvsuges.
3. La filteret tørke, og monter det igjen.

AVRIMING

Under avrimingen er det ikke sikkert at avfukteren går kontinuerlig.

Ikke slå av bryteren eller trekk ut støpselet fra avfukteren mens avrimingen pågår. Avfukteren kan ikke brukes til ekstrem nedkjøling.

Avfukteren skal brukes til å fjerne høy fuktighet og tørke våte ting. Den kan ikke brukes til ekstrem nedkjøling.

Romtemperaturen øker under bruk.

Avfukteren har ingen kjølefunksjon. Den avgir varme under drift, og den øker romtemperaturen med 1 til 4 °C. I tillegg er dørene og vinduene lukket, og andre apparater i rommet kan også avgi varme. Sollys kan også øke temperaturen i rommet.

VEDLIKEHOLD OG RENGJØRING

1. *Ettersom saken er laget av plast, må du ikke plassere den i direkte sollys.*
2. *Fjern vanntanken forsiktig.*
3. *Hvis du ikke bruker enheten på lenge. Slå av og koble fra enheten, tøm vanntanken, lagre den på et tørt og ventilert sted. Bruk bare en myk, ren klut til alle rengjøringsformål. Ikke bruk bensin, tynnere eller andre kjemikalier for å rengjøre enheten.*
4. *Rengjør hovedfilteret: Fjern filteret med en støvsuger eller vann for å rengjøre, og plasser det deretter på et ventilert sted til det er tørt.*

SERVICE

Når avfukteren trenger service, må du først ta kontakt med forhandleren. Du må fremlegge kvittering ved garantikrav.

OPPBEVARING

Gjør følgende før du setter bort enheten:

1. Påse at vannbeholderen er tom. Når enheten slås på, må du påse at den går i ventilasjonsmodus i minst 30 minutter for å fjerne vannet i enheten.
2. Samle sammen strømledningen.
3. Rengjør filteret.
4. Oppbevares på et rent og tørt sted.

Du må fremlegge kvittering ved garantikrav.

TIPS

Når avfukteren brukes i ekstremt fuktige miljøer, eller når temperaturen faller under +5 °C, kan avfukteren stoppe. Det dannes store mengder is på kjølesyngen. Slå av avfukteren, og plasser den litt over

gulvnivå, slik at isen smelter.

Av og til er det nyttig å bruke frostvakt eller en vifteovn for å sikre at temperaturen ikke blir lavere enn +10 °C. Selv om MRD20/25 fungerer ned til +5 °C, vil kapasiteten øke når det er varmere, siden varm luft inneholder mer vann.

Hydrostaten har en feilmargin på cirka +/- 5–10 %. Feilmarginen kan være større ved lavere temperaturer.

For maksimal avfuktingseffekt i et rom, anbefales det at det kommer minimalt med luft utenfra og fra tilstøtende rom – lukk dører og ventiler.

Forvent høyere avfukting om våren/sommeren, siden uteluften er varmere og fuktigere.

VIKTIG! – Woods avfuktere må kobles til en jordet stikkontakt. Strømkilden skal være 220–240 V 50 Hz

PROBLEM	ÅRSAK	TILTAK
Avfukteren starter ikke	Strømmen er ikke tilkople	Kontroller at avfukteren er tilkople
Avfukter ikke luften	Vannbeholderen er full. Vannbeholderen er ikke satt riktig på plass. Luftfilteret er tilstoppet. Temperaturen eller den relative luftfuktigheten i rommet der enheten går, er for lav.	Tøm beholderen for vann. Plasser vannbeholderen i riktig posisjon. Rengjør luftfilteret. Kontroller at luften kan strømme fritt gjennom avfukteren. Frontristen og luftfilteret skal være rene, og avfukteren skal stå 20 cm fra veggen.
Avfukteren fungerer, men reduserer ikke den relative luftfuktigheten nok.	Rommet er for stort. Det er for mange kilder til fuktighet. Det er for mye ventilasjon.	Vi anbefaler å bruke en avfukter med større kapasitet. Vi anbefaler å bruke en avfukter med større kapasitet. Reduser ventilasjonen (for eksempel ved å lukke vinduer og dører).
Hvis du opplever problemer med avfukteren, kan du forsøke å feilsøke. Hvis ingen av tiltakene fungerer, må du kontakte forhandleren.		

Garanti

2 års garanti mot produksjonsfeil. Garantien gjelder kun ved fremvisning av kvittering. Garantien gjelder kun hvis produktet har blitt brukt i samsvar med instruksjonene og sikkerhetsanvisningene i denne bruksanvisningen. Garantien dekker ikke skader som skyldes feil bruk av produktet.

MERK: Garantien på 2 år gjelder ikke ved kommersiell bruk av enheten.



MERK:

Registrer produktet på www.warranty-woods.com og les om hvordan du kan få utvidet garanti. Gå til www.woods.se hvis du vil ha mer informasjon.

Anbefalte bruksgrenser

Temp. +5 til +35 °C

Relativ fuktighet: 30 til 90 %

Anbefalt luftfuktighetsnivå: ca. 50 % RH

TEKNISKE DATA

	MRD20
Maks. arbeidsområde	70 m ²
Luftgjennomstrømning	175m ³ /h±10%
Avfukting ved 30 °C og 80 % RH	21,1 l / 24 t
Effekt ved 30 °C og 80 % RH	315 W±10%
Tankvolum	3,8 liter
Kuldemedium	R290
Ladning R290	60 g
Spenning	220–240 V
Støynivå i desibel	48 dB
Vekt	15,5 kg
Mål i mm, L x B x H	355x252x567

	MRD25
Maks. arbeidsområde	120 m ²
Luftgjennomstrømning	180m ³ /h±10%
Avfukting ved 30 °C og 80 % RH	25l / 24 t
Effekt ved 30 °C og 80 % RH	414 W±10%
Tankvolum	3,8 liter
Kuldemedium	R290
Ladning R290	85 g
Spenning	220–240 V
Støynivå i desibel	48 dB
Vekt	16 kg
Mål i mm, L x B x H	355x252x567

*Med forbehold om tekniske endringer og forbedringer. Alle verdier er omtrentlige og kan variere med eksterne forhold som temperatur, ventilasjon og luftfuktighet.



*Denne merkingen indikerer at dette produktet ikke skal fjernes sammen med annet husholdningsavfall i hele EU. For å unngå mulig skader på miljøet og helse som følge av ukontrollert avfallshåndtering skal apparatet resirkuleres på ansvarlig måte for å fremme bærekraftig gjenbruk av ressursene. For å returnere apparatet kan du bruke retur- og innsamlingsystemet eller ta kontakt med forhandleren der produktet ble kjøpt. De kan resirkulere dette produktet på en miljøvennlig måte.

WOOD'S LAVER EN AF VERDENS FØRENDE AFFUGTERE.

Affugtere fra Wood's har i mange år været førende på markedet. Affugterne er velegnede til brug i de mest krævende miljøer, da affugtningskapaciteten er god selv ved forskellige temperaturer og fugtighedsniveauer. De bruges med gode resultater på steder, der bliver fugtige, såsom kældre, garager og sommerhuse. De er også fremragende til tørring af vasketøj, lofter, poolrum og vaskerum. De er effektive og har et lavt energiforbrug. De slider ikke på tøjet.

Mængden af fugt, som affugteren fjerner, afhænger af temperatur, fugtniveau og placering. Ydre vejrforhold kan også påvirke affugterens ydelse. Affugtere fra Wood's er driftssikre og beregnet til brug i mange år.

FOR HØJ LUFTFUGTIGHED ER FARLIGT

Der opstår kondens, når vanddamp i luften kommer i kontakt med en kold overflade som f.eks. et koldt vindue eller en kold væg. Når vanddampen afkøles, opstår der kondens, og der dannes vanddråber. Ved høj luftfugtighed kan luften blive kvalm, og der kan dannes skimmel, hvilket kan skade hus og møbler. Dette miljø kan endda gøre beboerne syge. Mider og edderkopper trives også i fugtige omgivelser. En affugter med høj ydelse skaber et godt, sundt fugtighedsniveau. For at opnå størst effektivitet skal døre og vinduer i de rum, der affugtes, holdes lukket. Fjerner lugt, tørrer træ og fjerner fugt fra friluftsudstyr.

1. SIKKERHEDSADVARSLER



Brændbart materiale. Dette apparat indeholder R290/propan, som er et brændbart kølemiddel.



Sikkerhedsoplysninger kan ses i manualen.



Læs den tekniske vejledning



Læs betjeningsvejledningen.

SIKKERHEDSOPLYSNINGER

Læs de medfølgende instruktioner omhyggeligt, inden apparatet installeres og tages i brug. Producenten er ikke ansvarlig, hvis forkert installation og brug forårsager person- og tingskade. Opbevar altid vejledningen sammen med apparatet til fremtidig reference.

Børns og udsatte personers sikkerhed

ADVARSEL

Risiko for personskade eller permanent funktionsnedsættelse. Dette apparat kan anvendes af børn i alderen 8 år og derover samt personer med nedsatte fysiske, sensoriske eller mentale evner eller manglende erfaring og viden, hvis de superviseres eller har fået instruktion i at bruge apparatet på en sikker måde og forstår, hvilken fare det indebærer.

Lad ikke børn lege med apparatet.

Børn under 3 år skal holdes væk fra apparatet, medmindre de hele

tiden overvåges.

Al emballage skal holdes væk fra børn.

Rengøring og brugervedligeholdelse må ikke foretages af børn uden opsyn.

Generelle sikkerhedsforskrifter

Dette apparat er beregnet til brug i husholdninger og til lignende anvendelser, eksempelvis kældre og krybegange samt personalekøkkener i butikker, på kontorer og i andre arbejdsmiljøer. Mærkepladen sidder på bagsiden eller siden af affugteren. Ventilationsåbningerne må ikke blokeres.

Der må ikke anvendes mekaniske anordninger eller andre midler til at fremskynde afrimningsprocessen, bortset fra dem, producenten anbefaler.

Apparatet må ikke opbevares i et lokale, hvor der anvendes antændingskilder, eksempelvis åben ild, gasapparater eller et elektrisk varmeapparat. Må ikke punkteres eller brændes.

Vær opmærksom på, at kølemidler ikke nødvendigvis kan lugtes. Brug ikke vand eller damp til at rengøre apparatet. Rengør apparatet med en fugtig, blød klud. Brug kun neutrale rengøringsmidler. Brug ikke slibemidler, slibende rengøringsssvampe, opløsningsmidler eller metalgenstande.

Hvis elledningen er beskadiget, skal den udskiftes af fabrikanten, et autoriseret servicecenter eller en tilsvarende kvalificeret person for at undgå fare.

SIKKERHEDSANVISNINGER**Installation****ADVARSEL**

Dette apparat må kun installeres af en kvalificeret person.

Fjern al emballagen.

Apparatet må ikke installeres eller anvendes, hvis det er beskadiget.

Apparatet skal installeres, betjenes og opbevares i et lokale med et gulvareal, der er større end 2 m².

Følg installationsvejledningen, der følger med apparatet.

Vær altid forsigtig, når du flytter apparatet, da det er tungt. Brug altid sikkerhedshandsker.

Sørg for, at luften kan cirkulere omkring apparatet.

Vent mindst 4 timer, før apparatet tilsluttes til strømforsyningen.

Dette er for at give olien mulighed for at flyde tilbage i kompressoren.

Apparatet må ikke installeres tæt på radiatorer eller andre varmekilder.

Apparatet må ikke installeres et sted, hvor der er direkte sollys.

Elektrisk forbindelse**ADVARSEL**

Risiko for brand og elektrisk stød.

Apparatet skal tilsluttes til en jordet stikkontakt.

Sørg for, at strømplysningerne på mærkepladen er i

overensstemmelse med strømforsyningen. Hvis ikke, skal du kontakte en elektriker.

Brug altid en korrekt installeret og stødsikker stikkontakt.

Brug ikke adaptere til flere stik og forlængerkabler.

Sørg for ikke at beskadige de elektriske komponenter (f.eks. netstik, strømkabel).

Kontakt et autoriseret servicecenter eller en elektriker for at ændre de elektriske komponenter.

Netkablet skal forblive under netstikkets niveau.

Tilslut først netstikket til stikkontakten som det sidste i forbindelse med installationen.

Sørg for, at der er adgang til netstikket efter installationen.

Træk ikke i strømkablet for at frakoble apparatet. Træk altid i netstikket.

Anvendelse**ADVARSEL**

Risiko for personskade, forbrændinger, elektrisk stød eller brand.

Du må ikke ændre specifikationen for dette apparat.

Pas på ikke at beskadige kølemiddelkredsløbet. Det indeholder propan (R290), som er en naturgas med en høj grad af miljøvenlighed. Denne gas er brændbar.

Hvis der opstår skader på kølemiddelkredsløbet, skal du sørge for, at der ikke er flammer og antændelseskilder i lokalet. Udluft lokalet.

Placer ikke brændbare produkter eller genstande, der er gennemvædet med brændbare væsker, i nærheden af eller på apparatet.

Bortskaffelse**ADVARSEL**

Risiko for personskade.

Træk apparatets stik ud af stikkontakten.

Fjern strømkablet, og kassér det.

Kølemiddelkredsløbet i dette apparat er ozonvenligt. Kontakt kommunen for at få oplysninger om korrekt bortskaffelse af produktet.

Den del af køleenheden, der er i nærheden af varmeveksleren, må ikke beskadiges.

INSTALLATION AF AFFUGTEREN

VIGTIGT:

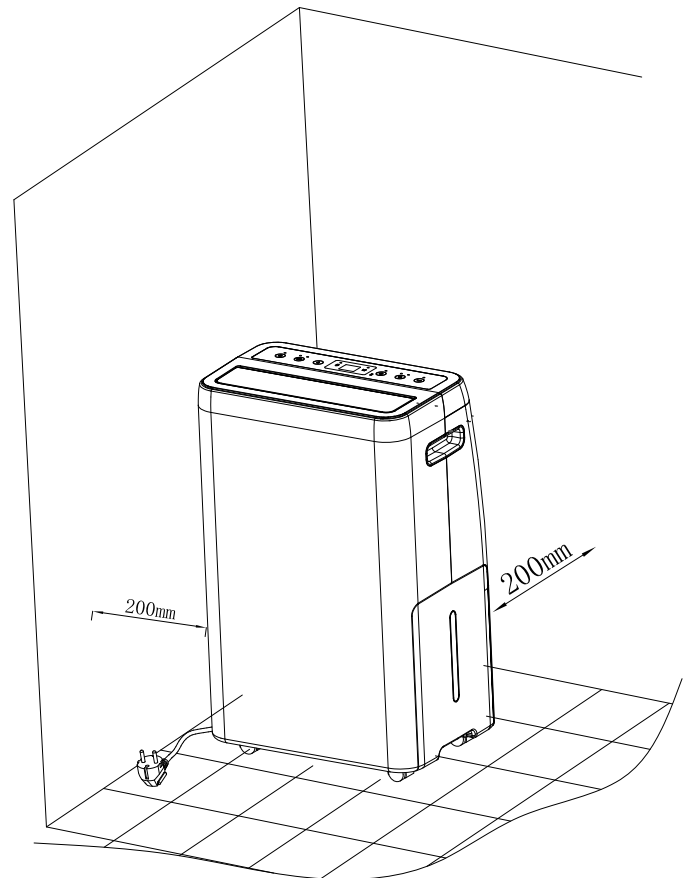
2. Installation

INDEN BRUG FØRSTE GANG

Lad maskinen stå oprejst i 4 timer inden brug.
Valg af placering

Vigtigt

1. Affugteren skal anvendes i et lukket område for at være mest effektiv.
Luk alle døre, vinduer og andre udvendige åbninger til lokalet. Affugterens effektivitet afhænger af, hvor hurtigt den nye fugtige luft kommer ind i lokalet.
2. Placer affugteren et sted, hvor luftstrømmen gennem fronten af apparatet ikke begrænses.
3. En affugter, der anvendes i et rum, har ringe eller ingen effekt på tørring af et tilstødende lukket opbevaringsområde, såsom et skab, medmindre der er tilstrækkelig luftcirkulation ind og ud af området. Det kan være nødvendigt at installere endnu en affugter i det lukkede område for at opnå en tilfredsstillende affugtning.
4. Sørg for, at apparatet står på et stabilt og plant underlag. Hvis overfladen ikke er stabil, er der risiko for, at apparatet kan blive ustabilt og forårsage overdrevne vibrationer, og at vandet løber ud.
5. Der skal være mindst 20 cm fri plads omkring hele affugteren.



PRODUKTBEKRIVELSE

3. Produktbeskrivelse

- A**
1. Håndtag
 2. Betjeningspanel
 3. Øverste låg
 4. Svingningsfunktion
 5. Frontkabinet
- B**
1. Luftplade
 2. Kontinuerlig afledning
 3. Strømkabel
 4. Bagkabinet
 5. Vandbeholder
- C**
1. Betjeningspanel
- D**
1. Tænd / sluk-knap: Denne knap kan styre maskinen til / fra.
 2. Mode-knap: Denne knap kan indstille maskinen til at arbejde i tør tilstand eller affugtningstilstand. (I tør tilstand affugter den kontinuerligt under den højeste hastighed)
 3. Fugtighedsknap: Under affugtningstilstand kan denne knap indstille forskellig ønsket fugtighed, og området er 50-55-60-65-70-Co-40-45-50-55-60-65-70% RF.
 4. Timerknap: Når du trykker på denne knap i <0,5 sekunder, kan den indstille timeren fra funktion 0H / 1H / 2H / 3H / 4H / 5H / 6H / 7H / 8H for at betjene en nedtælling.
 5. Ventilatorhastighedsknap: Denne knap kan indstille maskinen til at arbejde under lav hastighed eller høj hastighed.
 6. Svingknap: Denne knap kan indstille maskinen til at svinge eller ikke svinge automatisk.
 7. Afrimning aktiv
 8. Vandspand fuld
 9. Børnesikring: Hvis du trykker på timer-knappen i 3 sekunder, kan den aktivere eller slukke børnesikringsfunktionen. Under børnesikringsfunktion kan kun timer og tænd / sluk-butoner indstilles. Tryk bare på denne knap igen i 3 sekunder for at slukke for børnesikringsfunktionen.
- E**
- Betjeningspanel
1. Tegne oven på og nederst på maskinen
- F**
- Betjeningspanel
1. Der skal være mindst 20 cm fri plads omkring hele affugteren.

PLACERING AF AFFUGTEREN

- Affugteren må ikke placeres i nærheden af radiatorer eller andre varmekilder eller udsættes for direkte sollys, da det vil reducere ydelsen.
- Det er bedst at placere den i midten af rummet/området.



BEMÆRK: Hvis affugteren placeres i et bruse- eller badeområde, bør den fastgøres. Det er obligatorisk at læse og overholde de lokale forskrifter vedrørende elektricitet i baderum, inden affugteren tages i brug.

BRUG AF AFFUGTEREN

Hvis affugteren transporteres liggende, skal den stå oprejst i 4 timer, inden den tages i brug. Det er meget vigtigt, at olien løber tilbage i kompressoren, da affugteren ellers kan blive alvorligt beskadiget.

1. Kontrollér, at vandbeholderen er placeret korrekt.
2. Tilslut affugteren til en jordet strømkilde.
3. Indstil det ønskede fugtighedsniveau med hygrostatknappen. Se afsnittet om hygrostatknappen.



BEMÆRK: Den omgivende relative luftfugtighed kan nemt måles med affugteren.

BETJENINGSVEJLEDNING

1. Tænd/sluk-knap: Denne knap bruges til at tænde og slukke for apparatet.
2. Hygrostatknap: Til indstilling af den ønskede luftfugtighed. At indstille den ønskede fugtighed. tryk på Fugtighedsknappen i 5 sekunder, den viser omgivelsestemperatur (0 ~ 40 °C) i 5 sekunder; Hvis du trykker på og holder knappen Luftfugtighed nede, viser den omgivelsestemperatur hele tiden. Hvis du ikke trykker på igen, viser den automatisk NTC-sensortemperaturen i 5 sekunder og viser den omgivende fugtighed.
3. Fugtighedsindstillinger: Åbn

luftindtagets indstillede luftfugtighed mellem 40%, 50%, 60% eller kontinuerlig tilstand.

4. Indstilling af luftfugtighed: Åbner luftudtaget og indstiller fugtigheden til 40 %, 50 %, 60 % eller kontinuerlig tilstand.
5. Timer: Når apparatet er tændt, skal du trykke på timeren og indstille den til 2, 4 eller 6 timer. under drift viser den den omgivende fugtighed fra 30,31,32 ... 79,80. Hvis det er < . 30% RF, det viser LO; hvis det er > 80% RF,
6. Affugtningstilstand du kan indstille fugtighedsniveau og ventilatorhastighed 2 niveauer

HUKOMMELSESFUNKTION

Tryk på tænd / sluk-knappen (tilsluttet stikkontakt), og tryk derefter på tænd / sluk-knappen igen, den fungerer efter forrige indstilling, men timer og børnesikringsfunktion har ingen hukommelse.

Ingen strøm, når betjeningen svarer til at slukke pludselig, maskinen fungerer automatisk, når der er strøm, og den husker den forrige indstilling, men børnesikringsfunktionen har ingen hukommelse.

Enheden tændes automatisk og fungerer i sidste indstilling efter strømtilførsel. Det fungerer under den oprindelige standardindstilling under affugtningstilstand og arbejder under fugtighedsindstilling med 50% RH ved høj hastighed.

HYGROSTATKNAP

Affugteren fra Wood's er udstyret med en hygrostatknap, som indstilles til det ønskede fugtighedsniveau. Hygrostaten registrerer det aktuelle fugtighedsniveau og sikrer, at affugteren tændes og slukkes automatisk.

VANDAFLEDNING

Når vandbeholderen er fuld, slukkes affugteren automatisk. Når vandbeholderen er tømt, starter apparatet automatisk igen.

1. Frakobl affugteren fra strømkilden.
2. Tøm vandbeholderen.
3. Sæt den tomme vandbeholder tilbage, og kontrollér, at flyderen kan bevæge sig frit.
4. Tilslut affugteren til strømkilden.

Direkte vandafledning
Slut en vandslange til studsene på affugterens bagside. Før den anden ende af slangen ned i et afløb. Sørg for, at vandet kan løbe nedad.

LUFTFILTER

Luftfiltret forhindrer støv og snavs i at trænge ind i apparatet, hvilket forlænger dets levetid. Det er vigtigt, at filtret rengøres regelmæssigt. Rengøring af filtret:

1. Afmonter filtret.
2. Vask det i varmt vand tilsat et mildt rengøringsmiddel. Alternativt kan du støvsuge filtret.
3. Lad filtret tørre, og sæt det tilbage i apparatet.

AFRIMNING

Under afrimning kan affugtningfunktionen blive afbrudt midlertidigt.

Undlad at slukke på kontakten eller trække stikket ud af affugteren, mens den afrimer. Affugteren kan ikke anvendes til at opretholde en meget lav temperatur.

Affugteren er beregnet til at fjerne uønsket fugt, der stammer fra hverdagsaktiviteter, og til at tørre våde genstande. Den kan ikke anvendes til at opretholde en meget lav temperatur.

Temperaturen i rummet øges, når apparatet er i brug.

Affugteren har ikke nogen kølefunktion.

Den genererer varme under brug og øger temperaturen i rummet med 1 til 4 °C.

Temperaturen i rummet kan desuden stige, hvis døre og vinduer er lukkede, hvis andre apparater i rummet afgiver varme eller på grund af solindstråling.

VEDLIGEHODELSE OG RENGØRING

1. *Da sagen er lavet af plastik, må du ikke placere den i direkte sollys.*
2. *Fjern vandtanken forsigtigt.*
3. *Hvis du ikke bruger enheden i lang tid. Sluk for stikket og tag stikket ud, tøm vandtanken, opbevar det på et tørt og ventileret sted. Brug kun en blød, ren klud til alle rengøringsformål. Brug ikke benzin, fortyndere eller andre kemikalier til at rengøre enheden.*
4. *Rengøring af hovedfilteret: Fjern filteret med en støvsuger eller vand for at rengøre, anbring det derefter på et ventileret sted, indtil det er tørt.*

SERVICE

Hvis affugteren trænger til service, skal du først kontakte din lokale forhandler. Købsbevis skal fremvises i forbindelse med alle garantikrav.

OPBEVARING

Før apparatet stilles væk, skal du gøre følgende:

1. Sørg for, at vandbeholderen er tom. Når apparatet tændes, skal du sørge for, at det kører i ventilationstilstand i mindst 30 minutter for at fjerne vandet i apparatet.
2. Rul ledningen op i en løs løkke.
3. Rengør filtret.
4. Opbevar apparatet på et rent og tørt sted.

Købsbevis skal fremvises i forbindelse med alle garantikrav.

TIPS

Når affugteren bruges i ekstremt fugtige miljøer, eller hvis temperaturen er under +5 °C, standser affugteren muligvis. Det skyldes, at der ophobes en stor mængde is på kølespiralen. Sluk for affugteren, og stil den lidt over gulvhøjde, så isen kan smelte

væk.

Nogle gange kan det være nyttigt at bruge en frostvagt eller varmeblæser for at sikre, at temperaturen ikke falder til under +10 °C. MRD20/14 kan køre ved temperaturer helt ned til +5 °C, men apparatets kapacitet øges, jo højere temperaturen er, fordi varm luft kan indeholde mere vand end kold luft.

Hygrostaten har en fejlmargen på ca. +/- 5-10 %. Ved lave temperaturer øges fejlmarginen muligvis yderligere.

For at opnå maksimal affugtning i rummet anbefales det, at lufttilførslen udefra og fra de tilstødende rum minimeres – luk døre og sluk ventilatorer.

Det må forventes, at affugtningskapaciteten er højere om efteråret og om sommeren, fordi luften udenfor er varmere og mere fugtig.

VIGTIGT! – Affugtere fra Wood's skal være tilsluttet en jordet strømkilde.

Strømkilden skal være på 220-240 V, 50 Hz

PROBLEM	ÅRSAG	AFHJÆLPNING
Affugteren fungerer ikke.	Strømmen er ikke tilsluttet.	Kontrollér, at affugteren er strømforsynet, og at sikringen ikke er gået. Kontrollér, at vandbeholderen er tom og korrekt placeret i affugteren.
Affugteren affugter ikke.	Vandbeholderen er fuld. Vandbeholderen er ikke blevet udskiftet korrekt. Luftfiltret er tilstoppet. Temperaturen eller den relative luftfugtighed i det rum, hvor apparatet kører, er for lav.	Hæld vandet ud af beholderen. Anbring vandbeholderen i den korrekte position. Rengør luftfiltret. Kontrollér, at luften kan strømme frit gennem affugteren. Frontgitteret og luftfiltret skal være rene, og affugteren skal stå 20 cm fra væggen.
Affugteren virker, men reducerer ikke den relative luftfugtighed tilstrækkeligt.	Rummet er for stort. Der er for mange fugtkilder. Der er for meget ventilation.	Det anbefales at bruge en affugter med større kapacitet. Det anbefales at bruge en affugter med større kapacitet. Reducer ventilationen (f.eks. ved at lukke vinduer og døre).
Brug fejlfindingsoversigten, hvis der opstår problemer med affugteren. Hvis intet af dette løser problemet, skal du kontakte forhandleren for at få affugteren repareret.		

Garanti

2 års forbrugergaranti mod produktionsfejl. Bemærk, at garantien kun er gyldig ved fremvisning af kvittering. Garantien gælder kun, hvis produktet anvendes i overensstemmelse med instruktionerne og sikkerhedsanvisningerne i denne manual. Garantien dækker ikke skader, som skyldes forkert håndtering af produktet.

BEMÆRK: Den 2-årige garanti gælder kun forbrugere og gælder ikke kommerciel brug af apparatet.



BEMÆRK!

Registrer dit produkt på www.warranty-woods.com, og læs om, hvordan du får udvidet garanti. Du kan få flere oplysninger på www.woods.se.

Anbefalede grænseværdier ved brug:

Temp. +5° C til +35 °C

Relativ luftfugtighed: 30 % til 90 %

Anbefalet fugtniveau:

ca. 50 % RH

TEKNISKE DATA

	MRD20
Maks. arbejdsareal	70 m ²
Luftstrøm	175m ³ /h±10%
Affugtning ved 30 °C og 80 % RH	21,1 l i døgnet
Effekt ved 30 °C og 80 % RH	315 W±10%
Beholdervolumen	3,8 liter
Kølemiddel	R290
Påfyldning R290	60 g
Spænding	220-240 V
Støjniveau i decibel	48 dB
Vægt	15,5kg
Mål i mm, L x B x H	355x252x567

	MRD25
Maks. arbejdsareal	120 m ²
Luftstrøm	180m ³ /h±10%
Affugtning ved 30 °C og 80 % RH	25 l/24h
Effekt ved 30 °C og 80 % RH	414 W±10%
Beholdervolumen	3,8 liter
Kølemiddel	R290
Påfyldning R290	85 g
Spænding	220-240 V
Støjniveau i decibel	48 dB
Vægt	16 kg
Mål i mm, L x B x H	355x252x567

*Der kan ske tekniske ændringer og forbedringer. Alle værdier er omtrentlige og kan variere på grund af ydre omstændigheder, såsom temperatur, ventilation og luftfugtighed.



*Denne mærkning viser, at produktet ikke må bortskaffes sammen med almindeligt husholdningsaffald i EU. For at undgå eventuelle miljø- eller sundhedsmæssige skader på grund af ukontrolleret bortskaffelse af affald skal produktet genvindes på forsvarlig vis. Dermed fremmes bæredygtig genbrug af materielle ressourcer. For at returnere apparatet til os skal du bruge returnerings- og indsamlingssystemerne eller kontakte den forhandler, hvor produktet blev købt. Forhandleren kan sørge for, at produktet genvindes på miljømæssigt forsvarlig vis.

WOOD'S GEHÖRT ZU DEN WELTWEIT FÜHRENDEN HERSTELLERN VON LUFTENTFEUCHTERN

Luftentfeuchter von Wood's sind seit vielen Jahren als Spitzengeräte bekannt. Aufgrund ihrer guten Entfeuchtungsleistung selbst bei unterschiedlichen Temperaturen und hoher Luftfeuchte sind sie auch für den Einsatz unter schwierigen klimatischen Bedingungen gut geeignet. Die Geräte erzielen gute Ergebnisse in feuchten Räumen wie Kellern, Garagen und Gartenhäusern. Auch zum Wäschetrocknen, auf Dachböden sowie in Pool- und Waschräumen sind sie ausgezeichnet geeignet. Durch ihren hohen Wirkungsgrad haben die Geräte einen vergleichsweise niedrigen Energiebedarf. Kleidung wird sehr schonend behandelt.

Die vom Gerät entfernte Feuchtigkeitsmenge hängt von Temperatur, Luftfeuchte und Standort ab. Das Außenklima hat ebenfalls einen Einfluss auf die Geräteleistung. Die Luftentfeuchter von Wood's sind sicher im Betrieb und für einen mehrjährigen Einsatz ausgelegt.

HOHE LUFTFEUCHTIGKEIT – EINE GEFAHR FÜR DIE GESUNDHEIT

Wenn der Wasserdampf in der Luft auf eine kalte Fläche trifft (Fenster, Wand), kommt es zur Kondensation. Beim Abkühlen bilden sich Wassertropfen auf der Fläche. Bei dauerhaft hoher Luftfeuchtigkeit kann sich Schimmel an Wänden und Gegenständen bilden und diese schädigen. Schimmel stellt eine Gesundheitsgefahr dar und kann Krankheiten verursachen. Auch Milben und Spinnen gedeihen in feuchter Umgebung. Ein leistungsstarker Luftentfeuchter fördert ein gesundes Raumklima. Zur Gewährleistung eines effektiven Gerätebetriebs sollten Türen und Fenster geschlossen bleiben. Der Luftentfeuchter eignet sich auch zur Geruchsneutralisierung von Sportkleidung sowie zur Trocknung von Holz.

1. SICHERHEITSHINWEISE



Brennbares Material. Dieses Gerät enthält das brennbare Kältemittel Propan (R290).



Sicherheitshinweise finden Sie in diesem Handbuch.



Lesen Sie das technische Handbuch



Lesen Sie die Bedienungsanleitung.

SICHERHEITSHINWEISE

Lesen Sie vor der Installation und Nutzung des Geräts die Bedienungsanleitung. Bei Verletzungen oder Schäden aufgrund einer unsachgemäßen Installation übernimmt der Hersteller keine Haftung. Bewahren Sie die Anleitung zusammen mit dem Gerät auf, damit Sie jederzeit darin nachschlagen können.

Schutz von Kindern und schutzbedürftigen Personen

WARNUNG

Verletzungsgefahr oder drohende Dauerinvalidität.

Dieses Gerät kann von Kindern ab 8 Jahren und Personen mit eingeschränkten körperlichen, sensorischen oder geistigen Fähigkeiten oder mangelnden Erfahrungen und Kenntnissen benutzt werden, wenn sie in der sicheren Handhabung der Geräte unterwiesen wurden und die damit verbundenen Gefahren verstehen

bzw. unter entsprechender Aufsicht stehen.

Kinder nicht mit dem Gerät spielen lassen!

Kinder unter 3 Jahren sind vom Gerät fernzuhalten, sofern sie nicht ständig beaufsichtigt werden. Sämtliches Verpackungsmaterial von Kindern fernhalten. Reinigung und Wartung dürfen nicht von unbeaufsichtigten Kindern durchgeführt werden.

Allgemeine Sicherheit
Dieses Gerät ist für den Einsatz in Wohn- und Arbeitsbereichen vorgesehen (z. B. Keller, Zwischendecken, Personalküchen in Geschäften, Büros und sonstigen Arbeitsumfeldern). Das Typenschild befindet sich auf der Seite oder Rückseite des Entfeuchters. Lüftungsöffnungen dürfen nicht überdeckt werden.

Als Abtauhilfen dürfen keine mechanischen oder sonstigen Geräte, sondern ausschließlich die vom Hersteller empfohlenen Vorrichtungen verwendet werden. Das Gerät darf nicht in Räumen mit in Betrieb befindlichen Zündquellen (z. B. offene Flammen, Betriebsgasgeräte, elektrische Betriebsheizungen) gelagert werden. Das Gerät nicht anstecken oder verbrennen.

Kältemittel können geruchlos sein. Gerät nicht mit Wasserstrahl oder Dampf reinigen. Gerät mit einem feuchten, weichen Tuch reinigen. Nur neutrale Reinigungsmittel benutzen. Keine Scheuermittel, Lösungsmittel oder Metallgegenstände verwenden. Bei einer Beschädigung des Netzkabels muss der Austausch aus Sicherheitsgründen durch den Hersteller, ein offizielles

Servicecenter oder Fachpersonal erfolgen.

SICHERHEITSHINWEISE

Installation

WARNUNG



Das Gerät darf nur von einer entsprechend qualifizierten Person angeschlossen werden.

Die Verpackung ist restlos vom Gerät zu entfernen.

Ein beschädigtes Gerät darf weder installiert noch verwendet werden. Lagerung, Installation und Betrieb des Geräts sind nur in Räumen mit einer Mindestfläche von 2 m² zulässig. Die beiliegende Installationsanleitung ist zu befolgen.

Das Gerät ist schwer – Vorsicht beim Transport und beim Umstellen. Immer Schutzhandschuhe tragen.

Darauf achten, dass die Luft ungehindert um das Gerät zirkulieren kann.

Vor dem Netzanschluss mindestens 4 Stunden mit aufrecht stehendem Gerät warten. In dieser Zeit kann das Öl zurück in den Kompressor fließen.

Gerät nicht in der Nähe von Radiatoren und anderen Wärmequellen betreiben.

Das Gerät nicht an einem Ort mit direkter Sonneneinstrahlung aufstellen.

Elektroanschluss

WARNUNG



Gefährdung durch Feuer und Stromschlag.

Das Gerät muss an eine geerdete Steckdose angeschlossen werden.

Darauf achten, dass die elektrischen Angaben auf dem Typenschild mit dem Netzanschluss übereinstimmen. Sollte das nicht

der Fall sein, wenden Sie sich an eine Elektrofachkraft.

Der Anschluss muss an eine sachgerecht installierte, VDE-zugelassene Steckdose erfolgen. Multistecker-Adapter und Verlängerungskabel sind unzulässig.

Darauf achten, dass die elektrischen Komponenten (z.B. Netzstecker, Netzkabel) nicht beschädigt werden.

Falls ein elektrisches Bauteil ausgetauscht werden muss, ein Autorisiertes Servicezentrum oder einen Elektriker beauftragen.

Das Netzkabel muss durchgehend unterhalb der Steckdose verlegt werden.

Das Gerät erst nach der Aufstellung am endgültigen Betriebsort an die Steckdose anschließen.

Der Netzstecker muss jederzeit zugänglich sein.

Zum Trennen der Stromversorgung nicht am Netzkabel ziehen. Immer direkt am Netzstecker und nicht am Kabel ziehen.

Betrieb

WARNUNG



Verletzungs-, Verbrennungs-, Stromschlag- und Brandgefahr!

Gerät nur innerhalb der angegebenen Spezifikationen betreiben und keine Veränderungen am Gerät vornehmen.

Darauf achten, dass der Kältemittelkreislauf nicht beschädigt wird. Der Kreislauf enthält das umweltverträgliche Erdgas Propan (R290). Es ist brennbar.

Sollte der Kältemittelkreislauf beschädigt werden, sofort sicherstellen, dass es im Raum weder offenes Feuer noch Zündquellen gibt. Den Raum lüften.

Keine brennbaren Produkte oder Gegenstände, die mit brennbaren Produkten benetzt sind, auf das Gerät oder in dessen Nähe stellen.

Entsorgung

WARNUNG



Verletzungsgefahr!

Den Netzstecker des Geräts abziehen.

Netzkabel abschneiden und entsorgen. Der Kältemittelkreislauf des Geräts ist ozonverträglich.

Die Vorgehensweise bei der umweltverträglichen Entsorgung des Geräts ist bei der zuständigen Behörde nachzufragen.

Der Teil der Kühleinheit unmittelbar neben dem Wärmetauscher darf nicht beschädigt werden.

VORBEREITUNG DES LUFTENTFEUCHTERS AUF DIE INSTALLATION

WICHTIG:

2. Installation

VOR DEM ERSTEN EINSATZ

Das Gerät vor dem ersten Gebrauch 4 Stunden aufrecht stehen lassen
Auswahl des Standorts

Wichtig

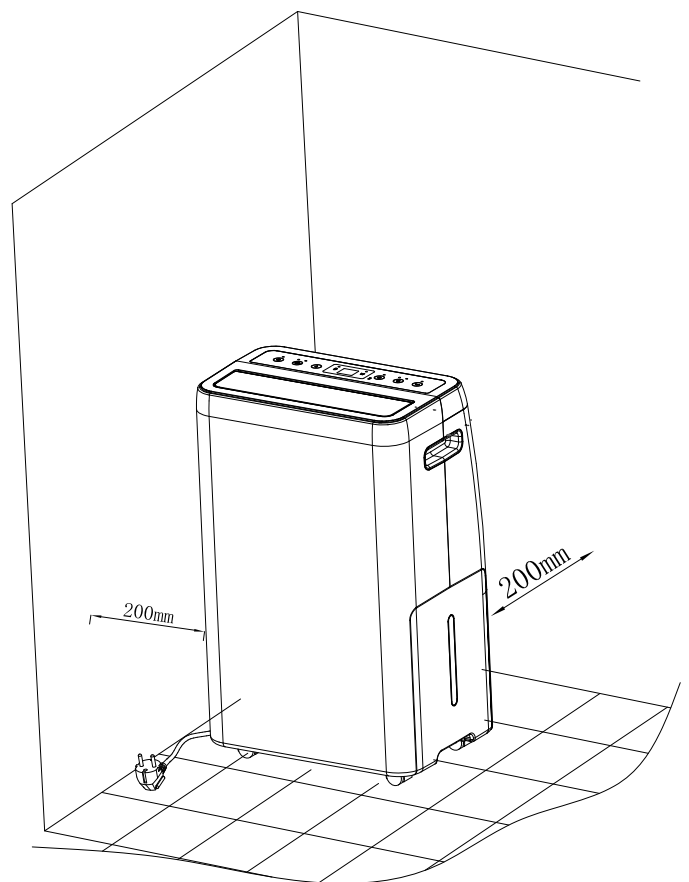
1. In geschlossenen Bereichen arbeitet der Luftentfeuchter am effektivsten. Alle Türen, Fenster und andere Öffnungen des Raums nach außen sind zu schließen. Die Wirksamkeit des Luftentfeuchters hängt von der Geschwindigkeit ab, mit der neue feuchte Luft in den Raum gelangt.

2. Der Luftentfeuchter ist so anzuordnen, dass der Luftstrom durch die Vorderseite des Geräts nicht eingeschränkt wird.

3. Ein in einem Raum betriebener Luftentfeuchter hat nur geringe oder gar keine Wirkung bei der Trocknung eines angrenzenden geschlossenen Lagerbereichs, wie z. B. eines Schrankes, wenn keine ausreichende Luftzirkulation in und aus dem Bereich vorhanden ist. Es kann erforderlich werden, einen zweiten Luftentfeuchter im geschlossenen Bereich zu installieren, damit die Trocknung zufriedenstellend ist.

4. Sicherstellen, dass das Gerät auf einem stabilen und ebenen Untergrund steht. Ist der Untergrund nicht ausreichend stabil, besteht die Gefahr, dass das Gerät nicht sicher steht, dass es zu übermäßiger Vibration kommt oder dass Wasser austritt.

5. Um den Luftentfeuchter herum muss ein Freiraum von mindestens 20 cm eingehalten werden.



PRODUKTBESCHREIBUNG

3. Produktbeschreibung

A

1. Griff
2. Bedienfeld
3. Abdeckung
4. Schwenkfunktion
5. Gehäusefront

B

1. Luftplatte
2. Abflussrohr für dauerhaften Wasserabfluss
3. Netzkabel
4. Gehäuserückseite
5. Wassertank

C

1. Bedienfeld

DD Bild D (Bild der Symbole auf dem Bedienfeld)

1. Netzschalter: Mit diesem Schalter können Sie das Gerät ein- und ausschalten.
2. Modustaste: Mit dieser Taste kann die Maschine so eingestellt werden, dass sie im Trockenmodus oder im Entfeuchtungsmodus arbeitet (im Trockenmodus wird sie kontinuierlich mit der höchsten Geschwindigkeit entfeuchtet).
3. Luftfeuchtigkeitstaste: Während des Entfeuchtungsmodus kann diese Taste eine andere gewünschte Luftfeuchtigkeit einstellen. Der Bereich liegt zwischen 50-55-60-65-70-Co-40-45-50-55-60-65-70% relativer Luftfeuchtigkeit.
4. Timer-Taste: Wenn Sie diese Taste während des Betriebs <0,5 Sekunden lang drücken, kann die Timer-Aus-Funktion 0H / 1H / 2H / 3H / 4H / 5H / 6H / 7H / 8H eingestellt werden, um einen Countdown zu starten.
5. Lüftergeschwindigkeitstaste: Mit dieser Taste kann die Maschine so eingestellt werden, dass sie bei niedriger oder hoher Geschwindigkeit arbeitet.
6. Swing-Taste: Mit dieser Taste kann die Maschine so eingestellt werden, dass sie automatisch schwingt oder nicht.
7. Abtauen aktiv
8. Wassereimer voll
9. Kindersicherung: Wenn Sie die Timer-Taste 3 Sekunden lang drücken, kann die Kindersicherung ein- oder ausgeschaltet werden.

Während der Kindersicherung können nur Timer- und Ein / Aus-Tasten eingestellt werden. Drücken Sie diese Taste erneut 3 Sekunden lang, um die Kindersicherung auszuschalten.

E

Bedienfeld

1. Um den Luftentfeuchter herum muss ein Freiraum von mindestens 20 cm eingehalten werden.

F

Bedienfeld

1. Abbildung über und unter der Maschine

AUFSTELLUNG DES LUFTENTFEUCHTERS

- Den Luftentfeuchter nicht in der Nähe von Heizkörpern und anderen Wärmequellen aufstellen oder direktem Sonnenlicht aussetzen, da sonst die Leistung des Geräts beeinträchtigt wird.



- Im Idealfall steht der Entfeuchter in der Mitte des Raums.

HINWEIS: Luftentfeuchter in Nassbereichen (Badezimmer, Duschaum) sind fest anzubringen. Vor dem Einsatz des Gerätes in Nassbereichen ist die Einhaltung der geltenden Sicherheitsvorschriften zu überprüfen.

BETRIEB DES LUFTENTFEUCHTERS

Wenn der Luftentfeuchter horizontal transportiert wird, sollte er vor der Verwendung 4 Stunden aufrecht stehen. Der Zeitraum muss lang genug sein, damit das Öl in den Kompressor zurückzufließen kann. Andernfalls kann das Gerät schwer beschädigt werden.

1. Sicherstellen, dass der Wassertank korrekt eingesetzt ist.
2. Luftentfeuchter an eine geerdete Steckdose anschließen.
3. Gewünschte Luftfeuchtigkeit mit dem Feuchtigkeitsregler einstellen. Vgl. Abschnitt zum Feuchtigkeitsregler.



HINWEIS: Die relative Luftfeuchtigkeit in der Umgebung lässt sich mit dem Luftentfeuchter einfach messen.

BEDIENUNGSANLEITUNG

1. Netzschalter: Mit diesem Schalter wird das Gerät ein- und ausgeschaltet.
2. Feuchtetaste: So stellen Sie die gewünschte Luftfeuchtigkeit ein. Drücken Sie die Feuchtigkeits-Taste 5 Sekunden lang. Die Umgebungstemperatur (0 ~ 40 °C) wird 5 Sekunden lang angezeigt. Wenn Sie die Luftfeuchtigkeits-Taste gedrückt halten, wird ständig die Umgebungstemperatur angezeigt. Wenn Sie nicht erneut drücken, wird automatisch die

NTC-Sensortemperatur für 5 Sekunden angezeigt und die Umgebungsfeuchtigkeit angezeigt.

3. Luftfeuchtigkeitseinstellungen: Öffnen Sie die Luftauslass-Luftfeuchtigkeit zwischen 40%, 50%, 60% oder im kontinuierlichen Modus.
4. Feuchtigkeitseinstellungen: Öffnen Sie den Luftauslass und stellen Sie die Feuchtigkeit auf 40 %, 50 %, 60 % oder Dauermodus ein.
5. Timer: Drücken Sie bei eingeschaltetem Gerät auf den Timer 2H/4H/6H, um eine Zeitkontrolle zu aktivieren. Während des Betriebs zeigt es eine Umgebungsfeuchtigkeit von 30,31,32 ... 79,80. Wenn es <ist. 30% rF, es zeigt LO; wenn es > 80% rF ist,
6. Im Entfeuchtungsmodus können Sie die Luftfeuchtigkeit und die Lüftergeschwindigkeit auf 2 einstellen

SPEICHERFUNKTION

1. Drücken Sie die Ein / Aus-Taste (in der Steckdose eingesteckt) und drücken Sie dann erneut die Ein / Aus-Taste. Dies funktioniert nach der vorherigen Einstellung, aber die Timer- und Kindersicherungsfunktion hat keinen Speicher.
1. Kein Strom, wenn der Betrieb gleichbedeutend mit einem plötzlichen Abschalten ist. Die Maschine arbeitet automatisch, wenn Strom vorhanden ist und die vorherige Einstellung speichert, aber die Kindersicherungsfunktion hat keinen Speicher.
1. Das Gerät schaltet sich automatisch ein und arbeitet in der letzten Einstellung, nachdem die Stromversorgung wieder hergestellt wurde. Es arbeitet im Entfeuchtungsmodus unter der anfänglichen Standardeinstellung und bei hoher Geschwindigkeit unter einer Feuchtigkeitseinstellung von 50% relativer Luftfeuchtigkeit.

FEUCHTIGKEITSREGLER

Mit dem Feuchtigkeitsregler wird die gewünschte Luftfeuchte eingestellt. Das Gerät ermittelt die aktuelle Luftfeuchtigkeit und schaltet sich bei Bedarf automatisch ein und aus.

WASSERABFLUSS

Bei vollem Wassertank schaltet sich das Gerät automatisch aus. Sobald der

Wassertank geleert ist, startet das Gerät automatisch neu.

1. Den Luftentfeuchter von der Steckdose trennen.
2. Den Wassertank entleeren.
3. Den leeren Wassertank wieder einsetzen und überprüfen, ob der Schwimmer sich ungehindert bewegen kann.
4. Den Luftentfeuchter an eine Steckdose anschließen.

Direkte Wasserableitung

Einen Wasserschlauch an das Rohr auf der Rückseite des Luftentfeuchters anschließen. Das andere Ende des Schlauchs zu einem Abfluss verlegen. Sicherstellen, dass das Wasser nach unten ablaufen kann.

LUFTFILTER

Der Luftfilter verhindert, dass Staub und Schmutz in das Gerät eindringen, und verlängert somit die Lebensdauer des Geräts. Es ist wichtig, dass der Filter regelmäßig gereinigt wird. Filterreinigung:

1. Den Filter herausnehmen.
2. Den Filter nach oben herausnehmen und mit warmem Wasser sowie einem milden Reinigungsmittel reinigen. Alternativ kann der Filter auch mit dem Staubsauger gereinigt werden.
3. Den Filter trocknen lassen und wieder einsetzen.

ABTAUBETRIEB

Bei Abtaubetrieb kann die Entfeuchtungsfunktion vorübergehend aussetzen.

Den Schalter dann nicht ausschalten und den Netzstecker des Luftentfeuchters bei Abtaubetrieb nicht abziehen. Dieser Luftentfeuchter ist nicht dafür vorgesehen, extrem niedrige Temperaturen zu liefern.

Dieser Luftentfeuchter dient dazu, aus Alltagsumgebungen unangenehm hohe Luftfeuchtigkeit abzupumpen und nasse Gegenstände zu trocknen. Er dient jedoch nicht dazu, extrem niedrige Temperaturen zu erzeugen.

Die Raumtemperatur steigt bei laufendem Betrieb an.

Dieser Luftentfeuchter hat keine Kühlfunktion. Im Betrieb erzeugt er Wärme und erhöht so die Raumtemperatur um 1 bis 4 °C. Darüber hinaus sind Türen sowie Fenster geschlossen, andere Geräte im Raum können ebenfalls Wärme abgeben und durch Sonnenstrahlung kann die Temperatur im Raum erhöht werden.

WARTUNG UND REINIGUNG

1. Da das Gehäuse aus Kunststoff besteht, setzen Sie es nicht direktem Sonnenlicht aus.
2. Entfernen Sie vorsichtig den Wassertank.
3. Wenn Sie das Gerät längere Zeit nicht benutzen. Schalten Sie das Gerät aus und ziehen Sie den Netzstecker, leeren Sie den Wassertank und lagern Sie ihn an einem trockenen und belüfteten Ort. Verwenden Sie für alle Reinigungszwecke nur ein weiches, sauberes Tuch. Verwenden Sie zum Reinigen des Geräts kein Benzin, Farbverdünner oder andere Chemikalien.
4. Reinigen des Netzfilters: Entfernen Sie den Filter zum Reinigen mit einem Staubsauger oder Wasser und stellen Sie ihn an einen belüfteten Ort, bis er trocken ist.

SERVICE

Sollten Servicearbeiten am Luftentfeuchter erforderlich sein, ist zunächst Kontakt zum Händler aufzunehmen. Bei allen Garantieansprüchen ist ein Kaufbeleg vorzulegen.

LAGERUNG

Vor der Lagerung des Geräts ist wie folgt vorzugehen:

1. Sicherstellen, dass der Wassertank leer ist. Bei eingeschaltetem Gerät sicherstellen, dass es mindestens 30 Minuten im Lüftungsbetrieb läuft, damit das Wasser im Inneren des Geräts ablaufen kann.
2. Das Netzkabel einrollen und bündeln.
3. Den Filter reinigen.
4. Die Lagerung hat in einem sauberen, trockenen Umfeld zu erfolgen.

Bei allen Garantieansprüchen ist ein Kaufbeleg vorzulegen.

HINWEISE

Wenn der Luftentfeuchter in extrem feuchten Umgebungen oder bei Temperaturen unter +5 °C eingesetzt wird,

funktioniert er u. U. nicht mehr. An der Kühlspirale lagern sich große Eismengen ab. Den Luftentfeuchter ausschalten und etwas oberhalb des Fußbodens abstellen, damit das Eis schmelzen kann.

Um zu verhindern, dass die Temperatur unter +10 °C fällt, empfiehlt sich der Einsatz eines Frostwächters bzw. Heizlüfters. Der MRD20/14 ist zwar bis zu einer Temperatur von +5 °C funktionsfähig, seine Leistung fällt bei höheren Temperaturen jedoch besser aus, da warme Luft mehr Wasser transportiert.

Das Hydrostat hat eine Fehlerspanne von +/- 5–10 %. Bei niedrigeren Temperaturen kann die Fehlerspanne auch größer sein.

Ein maximale Entfeuchtungsleistung kann nur bei möglichst wenig Außenluftzufuhr erreicht werden (Fenster, Türen usw. schließen).

Im Herbst/Sommer kann man mit höherer Entfeuchtungsleistung rechnen, weil die Außenluft wärmer und feuchter ist.

WICHTIG! - Wood's Luftentfeuchter müssen an eine geerdete Stromquelle angeschlossen werden. Die Netzspannung muss 220 bis 240 V bei 50 Hz betragen

PROBLEM	URSACHE	BEHEBUNG
Luftentfeuchter funktioniert nicht	Kein Anschluss an die Stromversorgung	Netzanschluss und Netzsicherung kontrollieren. Sicherstellen, dass der Wassertank leer ist und korrekt eingesetzt wurde.
Die Raumluft wird nicht entfeuchtet	Der Wassertank ist voll. Der Wassertank wurde nicht korrekt wieder eingesetzt. Der Luftfilter ist verstopft. In dem Raum, in dem das Gerät betrieben wird, ist die Temperatur oder die relative Luftfeuchtigkeit zu niedrig.	Den Wassertank leeren. Den Wassertank korrekt einsetzen. Den Luftfilter reinigen. Prüfen, ob die Luft ungehindert durch das Gerät strömen kann. Sind Frontgitter und Luftfilter sauber? Ist der Luftentfeuchter mindestens 20 cm von den Wänden entfernt?
Der Luftentfeuchter funktioniert, senkt aber die relative Luftfeuchtigkeit nicht ausreichend.	Der Raum ist zu groß. Es sind zu viele Feuchtigkeitsquellen vorhanden. Die Belüftung ist zu stark	Wir empfehlen, einen Luftentfeuchter mit höherer Kapazität zu verwenden. Wir empfehlen, einen Luftentfeuchter mit höherer Kapazität zu verwenden. Die Belüftung reduzieren (z. B. durch Schließen von Fenstern und Türen)
Bei Problemen mit dem Luftentfeuchter siehe „Fehlerbehebung“. Wenn keine der nachstehend aufgeführten Maßnahmen den gewünschten Erfolg bringt, bitte an den Händler wenden, um den Luftentfeuchter zu warten.		

Garantien

2 Jahre Verbrauchergarantie auf Produktionsfehler. Es ist zu beachten, dass die Garantie nur bei Vorlage der Quittung gilt. Die Garantie gilt nur, wenn das Produkt in Übereinstimmung mit den Anweisungen und Sicherheitshinweisen in diesem Handbuch verwendet wird. Die Garantie deckt keine Schäden ab, die durch unsachgemäße Handhabung des Produkts verursacht werden.

HINWEIS: Die zweijährige Garantie gilt nur für Endverbraucher und nicht bei gewerblicher Nutzung des Geräts.



HINWEIS!

Registrieren Sie sich bei www.warranty-woods.com. Dort erfahren Sie, wie Sie eine erweiterte Garantie erhalten. Weitere Informationen finden Sie auf www.woods.se/de.

Empfohlene Betriebsgrenzwerte

Temp. +5 °C bis +35 °C
Relative Luftfeuchtigkeit: 30 bis 90 %
Empf. Luftfeuchte:
ca. 50 % RH

TECHNISCHE DATEN

	MRD20
Max. Betriebsbereich	70 m ²
Umluftleistung	175m ³ /h±10%
Entfeuchtung bei 30 °C und 80 % RF	21,1 Liter pro 24 Stunden
Leistung bei 30 °C und 80 % RF	315 W±10%
Fassungsvermögen Wassertank	3,8 Liter
Kältemittel	R290
Ladung R290	60 g
Spannung	220–240 V
Geräuschpegel in Dezibel	48 dB
Gewicht	15,5 kg
Abmessungen in mm, L x B x H	355x252x567

	MRD25
Max. Betriebsbereich	120 m ²
Umluftleistung	180m ³ /h±10%
Entfeuchtung bei 30 °C und 80 % RF	25 Liter pro 24 Stunden
Leistung bei 30 °C und 80 % RF	414 W±10%
Fassungsvermögen Wassertank	3,8 Liter
Kältemittel	R290
Ladung R290	85 g
Spannung	220–240 V
Geräuschpegel in Dezibel	48 dB
Gewicht	16 kg
Abmessungen in mm, L x B x H	355x252x567

*Technische Änderungen und Verbesserungen vorbehalten. Alle Angaben sind Richtwerte und können aufgrund von äußeren Einflüssen wie Temperatur, Belüftung und Luftfeuchtigkeit variieren.



*Mit dieser Kennzeichnung darf das Gerät EU-weit nicht mit dem normalen Haushaltsabfall entsorgt werden. Um mögliche Schäden für die Umwelt oder die menschliche Gesundheit durch unkontrollierte Abfallentsorgung zu verhindern, ist ein verantwortungsvolles Recycling sicherzustellen und somit die nachhaltige Wiederverwendung materieller Ressourcen zu fördern. Für die Rückgabe des Geräts an uns stehen Rücksendungs- und Sammelsysteme zur Verfügung. Alternativ ist Kontakt zu dem Händler aufzunehmen, bei dem das Produkt gekauft wurde. Die Händler können dieses Produkt einem umweltschonenden Recycling zuführen.

WOOD'S EST L'UN DES LEADERS MONDIAUX DES DÉSHUMIDIFICATEURS

Les déshumidificateurs de Wood's sont reconnus comme des produits phares du marché depuis plusieurs années. Nos déshumidificateurs peuvent être utilisés dans les climats les plus rigoureux, lorsque la capacité de déshumidification est bonne même à des températures et des niveaux d'humidité différentes. Nos déshumidificateurs obtiennent de très bons résultats dans des lieux qui sont souvent humides comme les caves, les garages ou les résidences secondaires. Ils sont également excellents pour sécher le linge, les greniers, les piscines et les buanderies. Ils sont efficaces et consomment peu d'énergie. Ils n'abîment pas les vêtements.

La quantité d'humidité retirée par le déshumidificateur dépend de la température, du niveau d'humidité et de l'emplacement. Les conditions météorologiques extérieures peuvent également affecter les performances de votre déshumidificateur. Les déshumidificateurs Wood's sont sûrs et ont été conçus pour une utilisation continue pendant de nombreuses années.

UNE HUMIDITÉ EXCESSIVE DE L'AIR : UN DANGER !

La condensation se produit lorsque de la vapeur d'eau contenue dans l'air entre en contact avec une surface froide, par exemple une fenêtre ou un mur. En refroidissant, la vapeur d'eau se condense, et forme des gouttes d'eau. En cas d'humidité élevée de l'air, celui-ci sent le renfermé et des moisissures peuvent se propager et endommager les habitations et le mobilier. Cet environnement peut même provoquer des maladies. Les mites et les araignées se développent aussi facilement dans les environnements humides. Un déshumidificateur à haute performance crée un bon niveau d'humidité sain. Pour une plus grande efficacité, les portes et les fenêtres des pièces qui sont déshumidifiées doivent rester fermées. Élimine les odeurs, sèche le bois et retire l'humidité des équipements d'extérieur.

1. AVERTISSEMENTS DE SÉCURITÉ



Matériau inflammable. Cet appareil contient du R290/Propane, un réfrigérant inflammable.



Consultez ce manuel pour les informations de sécurité.



Lire le manuel technique



Lire le manuel de l'opérateur.

INFORMATIONS DE SÉCURITÉ

Avant l'installation et l'utilisation de l'appareil, lire attentivement les instructions fournies. Le fabricant n'est pas responsable en cas de blessures ou de dommages découlant d'une mauvaise installation et une utilisation incorrecte. Toujours conserver les instructions avec l'appareil pour s'y reporter ultérieurement.

Sécurité des enfants et des personnes vulnérables



AVERTISSEMENT
Risque de blessure ou d'invalidité permanente. Cet appareil peut être utilisé par des enfants à partir de 8 ans et des personnes ayant des capacités physiques, sensorielles ou mentales réduites, ou un manque d'expérience et de connaissances, sous surveillance ou à condition d'avoir reçu ou des instructions concernant l'utilisation de l'appareil de manière sûre et d'avoir compris les dangers impliqués.

Ne pas laisser les enfants jouer avec l'appareil.

Les enfants de moins de 3 ans doivent être tenus à l'écart, à moins d'être surveillés en permanence. Tenir tous les emballages éloignés des enfants.

Le nettoyage et l'entretien ne doivent pas être effectués par des enfants sans surveillance.

Sécurité générale

Cet appareil est destiné à être utilisé dans des applications domestiques et autres installations similaires telles que : sous-sols, vides sanitaires ; espaces de cuisine pour le personnel dans les magasins, les bureaux et autres environnements professionnels. La plaque signalétique est située sur le côté ou l'arrière du déshumidificateur. Maintenir les ouvertures de ventilation dégagées.

Ne pas utiliser de dispositifs mécaniques ou d'autres moyens pour accélérer le processus de dégivrage, autres que ceux recommandés par le fabricant. L'appareil ne doit pas être entreposé dans une pièce avec des sources inflammables opérationnelles (par exemple, des flammes nues, un appareil à gaz ou un radiateur électrique). Ne pas percer ni brûler. Tenir compte du fait que les réfrigérants n'ont pas d'odeur. Ne pas utiliser de pulvérisation d'eau ni de vapeur pour nettoyer l'appareil. Nettoyer l'appareil à l'aide d'un chiffon doux humide. Utiliser uniquement des détergents neutres. Ne pas utiliser de produits abrasifs, de tissus de nettoyage abrasifs, de solvants ou d'objets métalliques.

Si le cordon d'alimentation est endommagé, il doit être remplacé par le fabricant, son centre de service agréé ou des personnes qualifiées du même type pour éviter tout danger.

CONSIGNES DE SÉCURITÉ

Installation

AVERTISSEMENT



Cet appareil ne doit être installé que par une personne qualifiée. Enlever tout l'emballage.

Ne pas installer ni utiliser un appareil endommagé. L'appareil doit être installé, utilisé et entreposé dans une pièce d'une surface de plancher supérieure à 2 m². Respecter les instructions d'installation fournies avec l'appareil.

Toujours déplacer l'appareil avec précaution car il est lourd. Toujours porter des gants de sécurité.

Veiller à ce que l'air puisse circuler autour de l'appareil.

Attendre au moins 4 heures avant de brancher l'appareil à l'alimentation, afin de permettre à l'huile de revenir dans le compresseur.

Ne pas installer l'appareil à proximité de radiateurs ou d'autres sources de chaleur.

Ne pas installer l'appareil exposé à lumière directe du soleil.

Raccordement électrique

AVERTISSEMENT



Risque d'incendie et de choc électrique.

L'appareil doit être raccordé à une prise de terre.

Vérifier que les informations électriques de la plaque signalétique correspondent à l'alimentation électrique. Si ce n'est pas le cas, contacter un électricien.

Toujours utiliser une prise antichoc correctement installée.

Ne pas utiliser d'adaptateurs multi-fiches ni de rallonges.

Veiller à ne pas endommager les composants électriques (p. ex. fiche secteur, câble secteur).

Contactez le centre de service agréé ou un électricien pour changer les composants électriques.

Le câble secteur doit rester sous le niveau de la fiche secteur.

Brancher la fiche secteur à la prise secteur uniquement à la fin de l'installation.

Veiller à ce qu'il soit possible d'accéder à la prise de courant après l'installation.

Ne pas tirer sur le câble secteur pour débrancher l'appareil.

Toujours tirer sur la prise secteur.

Utilisation

AVERTISSEMENT



Risque de blessures, de brûlures, de chocs électriques ou d'incendie.

Ne pas changer la spécification de cet appareil.

Veiller à ne pas endommager le circuit de réfrigérant. Il contient du propane (R290), un gaz naturel ayant un niveau élevé de compatibilité environnementale. Ce gaz est inflammable.

Si le circuit de réfrigérant est endommagé, vérifier qu'il n'y a pas de flammes ni de sources d'inflammation dans la pièce.

Ventiler la pièce.

Ne pas placer de produits inflammables ou d'objets imbibés de produits inflammables près de l'appareil ou dessus.

Mise au rebut

AVERTISSEMENT



Risque de blessure.

Débrancher l'appareil de l'alimentation secteur.

Couper le câble secteur et le mettre au rebut. Le circuit de réfrigérant de cet appareil est sans danger pour la couche d'ozone.

Contactez l'autorité municipale pour savoir comment mettre correctement l'appareil au rebut.

Ne pas endommager la partie de l'unité de réfrigération qui se trouve près de l'échangeur de chaleur.

PRÉPAREZ LE DÉSHUMIDIFICATEUR POUR L'INSTALLATION

IMPORTANT :

2. Installation

AVANT LA PREMIÈRE UTILISATION

Laissez la machine en position droite pendant 4 heures avant l'utilisation
Sélectionner un emplacement

Important

1. Le déshumidificateur doit être utilisé dans une pièce fermée pour garantir son efficacité optimale.

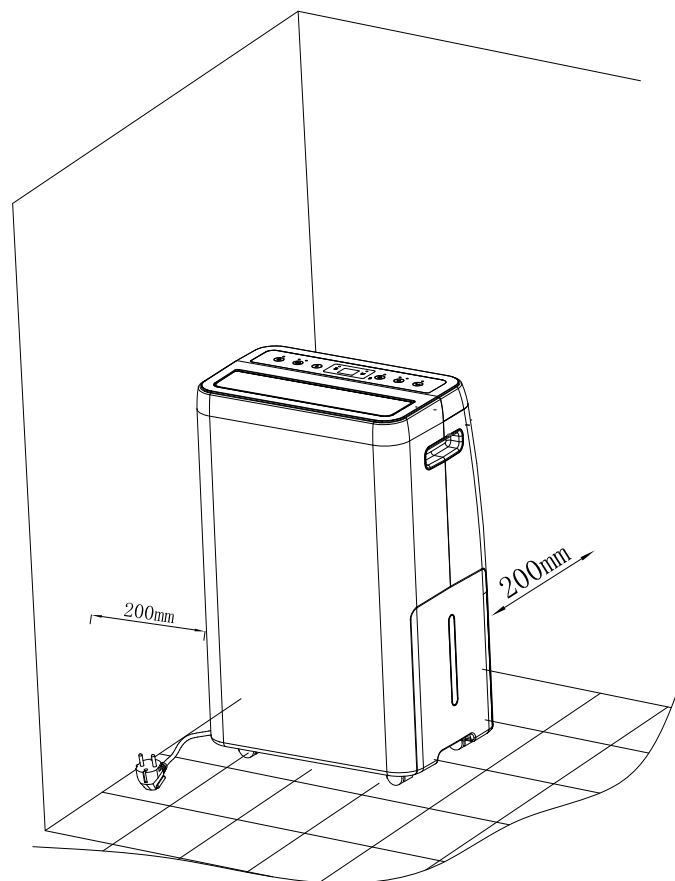
Fermez toutes les portes, fenêtres et autres ouvertures de la pièce. L'efficacité du déshumidificateur dépend du rythme d'entrée d'air chargé d'humidité dans la pièce.

2. Placez le déshumidificateur dans un endroit qui ne bloque pas la circulation d'air à travers la partie avant de l'unité.

3. Un déshumidificateur fonctionnant dans une pièce aura peu ou pas d'effet sur le séchage d'une zone de rangement fermée adjacente comme une armoire, à moins qu'il n'y ait une circulation d'air adéquate dans et hors de la zone. Il peut être nécessaire d'installer un deuxième déshumidificateur dans la zone fermée pour un séchage satisfaisant.

4. Assurez-vous que l'appareil est placé sur une surface stable et plane. Si la surface n'est pas stable, l'appareil risque d'être instable, d'être soumis à des vibrations excessives et de l'eau sera évacuée.

5. Il doit y avoir au moins 20 cm d'espace libre tout autour du déshumidificateur.



DESCRIPTION DU PRODUIT

3. Description du produit

A

1. Poignée
2. Panneau de commande
3. Couvercle supérieur
4. Fonction d'oscillation
5. Boîtier avant

B

1. Plaque d'air
2. Tuyau de drainage continu
3. Câble d'alimentation
4. Boîtier arrière
5. Réservoir d'eau

C

1. Panneau de commande

D

1. D Image D (Image des symboles sur le panneau de commande)
2. Bouton d'alimentation: ce bouton peut contrôler la machine sous / hors tension.
3. Bouton Mode: ce bouton peut régler la machine pour qu'elle fonctionne en mode sec ou en mode de déshumidification (en mode sec, elle déshumidifie en continu à la vitesse la plus élevée).
4. Bouton d'humidité: Pendant le mode de déshumidification, ce bouton peut régler l'humidité souhaitée et la plage est de 50-55-60-65-70-Co-40-45-50-55-60-65-70% HR.
5. Bouton de minuterie: Pendant le fonctionnement, si vous appuyez sur ce bouton pendant <0,5 seconde, il peut régler la fonction d'arrêt de la minuterie 0H / 1H / 2H / 3H / 4H / 5H / 6H / 7H / 8H pour effectuer un compte à rebours.
6. Bouton de vitesse du ventilateur: ce bouton peut régler la machine pour qu'elle fonctionne à basse vitesse ou à haute vitesse.
7. Bouton d'oscillation: ce bouton peut régler la machine pour qu'elle oscille ou non automatiquement.
8. Dégivrage actif

9. Seau d'eau plein Verrouillage enfant: si vous appuyez sur le bouton de la minuterie pendant 3 secondes, il peut activer ou désactiver la fonction de verrouillage enfant. Pendant la fonction de verrouillage enfant, seuls le minuteur et les boutons marche / arrêt peuvent être réglés. Appuyez à nouveau sur ce bouton pendant 3 secondes pour désactiver la fonction de verrouillage enfant.

E

1. HAUT ET BOUTON Esquisse en haut et en dessous de la machine

F

Panneau de commande

1. Il doit y avoir au moins 20 cm d'espace libre tout autour du déshumidificateur.

PLACEMENT DU DÉSHUMIDIFICATEUR

- Le déshumidificateur ne doit pas être placé à proximité de radiateurs ou de toute autre source de chaleur, ni exposé directement aux rayons directs du soleil, car cela nuirait à ses performances.
- Idéalement, il doit être placé au centre de la pièce/zone.



REMARQUE : Lorsque placé dans un coin douche ou une salle de bain, le déshumidificateur doit être fixé en place. Il faut obligatoirement consulter et respecter les lois et réglementations locales en matière d'électricité pour les salles de bain avant toute utilisation.

UTILISATION DU DÉSHUMIDIFICATEUR

Si le déshumidificateur est transporté horizontalement, laissez-le reposer pendant 4 heures avant de l'utiliser. Il est très important de laisser l'huile retourner dans le compresseur, car vous risqueriez de causer de graves dommages à votre déshumidificateur.

1. Vérifiez que le réservoir de collecte de l'eau est placé correctement.
2. Branchez le déshumidificateur sur une source d'alimentation raccordée à la terre.
3. Réglez le niveau d'humidité désiré à l'aide de l'hygrostat. Consultez la section sur l'hygrostat.



REMARQUE : L'humidité relative ambiante peut être facilement mesurée avec le déshumidificateur.

MANUEL D'UTILISATION

1. Bouton d'alimentation : Ce bouton permet d'allumer et d'éteindre la machine.
2. Bouton d'humidité : Pour régler l'humidité souhaitée. appuyez sur le bouton Humidité pendant 5 s, il affiche la température ambiante (0 ~ 40 °C) pendant 5 s; si vous maintenez enfoncé le bouton Humidité, il affiche la température ambiante tout le temps. Si vous n'appuyez pas à nouveau, il affiche automatiquement la température du capteur NTC pendant 5 secondes, puis affiche l'humidité ambiante.
3. Paramètres d'humidité: ouvrez

l'humidité de sortie d'air réglée entre 40%, 50%, 60% ou en mode continu.

4. Minuterie: Lorsque l'appareil est allumé, appuyez sur la minuterie 2H / 4H / 6H pour effectuer un compte à rebours.
5. pendant la chirurgie, il montre une humidité ambiante de 30,31,32 ... 79.80. Si c'est <. 30% HR, il montre LO; si elle est > 80% HR,
6. Mode de déshumidification, vous pouvez régler le niveau d'humidité et la vitesse du ventilateur sur 2 niveaux

MEMORY FUNCTION

1. Press on/off button (plugged inot power socket) and then press on/off button again, it works following previous setting, but timer and child lock function has no memory.
2. No power when operation equals to plug off all of a sudden the machine works automatically when there is power and it memories previous setting, but child lock function has no memory.

Unit will automatically turn on and operates in last setting after power returns.. It works under initial default setting during dehumidification mode and works under humidity setting by 50%RH on high speed.

HUMIDISTAT

Le déshumidificateur Wood intègre une équipe d'intégrateurs hygrostat, qui permet le niveau d'humidité du régulateur. Contrôle hygrostatique du courant de niveau d'humidité et assure l'humidificateur de toute et seule automatisation

DRAINAGE DE L'EAU

Lorsque le réservoir d'eau est plein, le déshumidificateur s'arrête automatiquement. Une fois le réservoir d'eau vidé, l'unité redémarre automatiquement.

1. Débranchez le déshumidificateur de la source d'alimentation.
2. Videz le réservoir.
3. Remettez le réservoir en place et vérifiez que le flotteur se déplace librement.
4. Branchez le déshumidificateur sur une source d'alimentation.

Drainage direct de l'eau

Connectez un tuyau d'eau au tuyau à l'arrière du déshumidificateur. Menez l'autre bout vers une vidage. Assurez-vous

que l'eau peut être vidangée vers le bas.

FILTRE À AIR

Le filtre à air empêche la poussière et la saleté de pénétrer dans la machine, ce qui prolonge sa durée de vie. Il est important de nettoyer le filtre régulièrement. Nettoyage du filtre :

1. Enlevez le filtre.
2. Lavez-le à l'eau tiède avec un produit nettoyant doux. Le filtre peut également être nettoyé à l'aide d'un aspirateur.
3. Laissez sécher le filtre et remettez-le en place.

OPÉRATION DE DÉGIVRAGE

Pendant l'opération de dégivrage, la déshumidification peut fonctionner de manière intermittente.

Ne mettez pas le déshumidificateur hors tension à l'aide de l'interrupteur et ne le débranchez pas de la prise pendant l'opération de dégivrage. Le déshumidificateur n'est pas destiné à maintenir une température extrêmement basse.

La fonction de ce déshumidificateur est d'évacuer l'humidité élevée désagréable au quotidien et de sécher les objets humides. Mais il ne peut pas être utilisé pour maintenir une température basse extrême.

La température ambiante augmente pendant le fonctionnement.

Le déshumidificateur ne présente pas de fonction de refroidissement. Il produira de la chaleur pendant le fonctionnement et augmentera la température ambiante de 1 à 4 °C. En outre, la porte et les fenêtres sont fermées et les autres appareils dans la pièce peuvent émettre de la chaleur. Les rayons du soleil peuvent également faire monter la température de la pièce.

ENTRETIEN ET NETTOYAGE

1. Pour son boîtier en plastique, ne le placez pas en plein soleil.
2. Retirez le réservoir d'eau avec soin.
3. Si vous n'utilisez pas l'appareil pendant une longue période. Veuillez éteindre et débrancher l'appareil, vider le réservoir d'eau, le conserver dans un endroit sec et aéré. Utilisez uniquement un chiffon doux et propre pour tout nettoyage. N'utilisez pas d'essence, de diluant pour peinture ou d'autres produits chimiques pour nettoyer l'appareil.
4. Nettoyage du filtre à mailles: Retirez le filtre à l'aide d'un aspirateur ou d'eau pour le nettoyer, puis placez-le dans un endroit ventilé jusqu'à ce qu'il soit sec.

RÉVISION

Si le déshumidificateur doit faire l'objet d'un contrôle, vous devez tout d'abord contacter votre revendeur local. Une preuve d'achat vous sera demandée pour

toute réclamation sous garantie.

RANGEMENT

Avant de ranger l'unité, veuillez suivre les étapes suivantes :

1. Assurez-vous que le réservoir d'eau est vide. Lorsque l'unité est allumée, assurez-vous qu'elle fonctionne en mode Ventilation pendant au moins 30 minutes pour évacuer l'eau à l'intérieur de l'unité.
2. Ramassez et regroupez le cordon d'alimentation.
3. Nettoyez le filtre.
4. Rangez dans un endroit propre et sec.

Une preuve d'achat vous sera demandée pour toute réclamation sous garantie.

CONSEILS

Lorsque le déshumidificateur est utilisé dans des environnements extrêmement humides ou lorsque la température est inférieure à +5 °C, il risque de cesser de fonctionner. Une grande quantité de glace s'accumule

sur le serpentín de réfrigération. Éteignez le déshumidificateur et placez-le légèrement au-dessus du niveau du sol pour que la glace fonde.

Il peut être parfois utile d'utiliser une protection contre le givre ou un chauffage mobile pour s'assurer que la température ne descend pas en dessous de +10 °C. Même si le MRD20/14 fonctionne à des températures aussi basses que +5 °C, sa capacité augmentera à des températures plus élevées car l'air chaud transporte plus d'eau.

L'hydrostat a une marge d'erreur d'environ +/- 5-10 %. À des températures plus basses, la marge d'erreur pourrait encore augmenter.

Pour une puissance de déshumidification maximale dans une pièce, il est recommandé de minimiser l'alimentation en air de l'extérieur et des pièces adjacentes, en fermant les portes et les bouches d'aération.

Attendez-vous à une capacité de déshumidification plus élevée en automne/été car l'air extérieur est plus chaud et plus humide.

IMPORTANT! - Les déshumidificateurs Wood's doivent être branchés sur une prise de terre. La norme électrique doit être de 220 V-240 V 50 Hz

PROBLÈME	CAUSE	SOLUTION
Le déshumidificateur ne s'allume pas	L'alimentation n'est pas connectée	Vérifiez que le déshumidificateur est branché correctement et que le fusible n'a pas sauté. Vérifiez que le réservoir de collecte de l'eau est vide et placé correctement dans le déshumidificateur.
Le déshumidificateur ne fonctionne pas	Le réservoir d'eau est plein. Le réservoir d'eau n'a pas été remis en place correctement. Le filtre à air est colmaté. La température ou l'humidité relative dans la pièce où l'appareil fonctionne est trop basse.	Retirez l'eau du réservoir. Placez le réservoir d'eau dans la position correcte. Nettoyez le filtre à air. Vérifiez si l'air peut circuler librement dans le déshumidificateur. La grille avant et le filtre à air doivent être propres et le déshumidificateur placé à 20 cm du mur.
Le déshumidificateur fonctionne, mais ne réduit pas suffisamment l'humidité relative.	La pièce est trop grande. Il y a trop de sources d'humidité. La ventilation est trop importante.	Nous recommandons d'utiliser un déshumidificateur d'une plus grande capacité. Nous recommandons d'utiliser un déshumidificateur d'une plus grande capacité. Réduisez la ventilation (par ex. fermez les fenêtres et les portes)

En cas de problèmes avec votre déshumidificateur, veuillez consulter les informations de dépannage. Si aucune de ces solutions ne fonctionne, veuillez contacter votre détaillant pour la révision de votre déshumidificateur.

Garanties

Garantie consommateur de 2 ans contre les défauts de production. Veuillez noter que la garantie est uniquement valable en produisant un reçu. La garantie est uniquement valable si le produit est utilisé conformément aux instructions et aux avertissements de sécurité indiqués dans ce manuel. La garantie ne couvre pas les dommages causés par la manipulation inadaptée du produit.

REMARQUE : La garantie de 2 ans est uniquement applicable aux consommateurs et pas à l'utilisation commerciale de l'unité.



REMARQUE !

Inscrivez-vous à www.warranty-woods.com et découvrez comment prolonger la garantie. Veuillez consulter www.woods.se pour de plus amples informations.

Limites conseillées lors de l'utilisation

Temp. 5 °C à 35 °C

Humidité relative : 30 % à 90 %

Niveau d'humidité conseillé :
env. 50 % HR

CARACTÉRISTIQUES TECHNIQUES

MRD20

Surface max.	70 m ²
Débit d'air	175m ³ /h±10%
Déshumidification à 30 °C et 80 % h.r.	21,1 l/24 h
Puissance à 30 °C et 80 % h.r.	315 W±10%
Volume du réservoir	3,8 litres
Réfrigérant	R290
Charge R290	60 g
Tension	220-240 V
Niveau sonore en décibels	48 dB
Poids	15,5 kg
Dimensions en mm, L x B x H	355x252x567

MRD25

Surface max.	120 m ²
Débit d'air	180m ³ /h±10%
Déshumidification à 30 °C et 80 % h.r.	25 l/24h
Puissance à 30 °C et 80 % h.r.	414 W±10%
Volume du réservoir	3,8 litres
Réfrigérant	R290
Charge R290	85 g
Tension	220-240 V
Niveau sonore en décibels	48 dB
Poids	16 kg
Dimensions en mm, L x B x H	355x252x567

*Des modifications et des améliorations techniques peuvent être apportées. Toutes les valeurs sont approximatives et peuvent varier en raison des circonstances externes telles que la température, la ventilation et l'humidité.



*Ce marquage indique que ce produit ne doit pas être éliminé avec d'autres déchets ménagers dans l'UE. Afin d'éviter qu'une mise au rebut incontrôlée des déchets ne nuise à l'environnement ou à la santé humaine, recyclez l'appareil de manière responsable afin de promouvoir la réutilisation durable des ressources matérielles. Pour retourner votre appareil, veuillez utiliser les systèmes de retour et de collecte ou contacter le détaillant chez lequel le produit a été acheté. Il peut reprendre ce produit pour un recyclage environnemental sûr.

WOOD'S: UNO LOS DESHUMIDIFICADORES LÍDERES DEL MUNDO

Los deshumidificadores de Wood's han gozado de una fama como líderes del mercado durante muchos años. Sus deshumidificadores son aptos para su uso en los climas más exigentes, donde la capacidad de deshumidificación es buena incluso a temperaturas y niveles de humedad distintos. Se utilizan con buenos resultados en lugares que tienden a ser húmedos, como sótanos, garajes o casas de verano. También son excelentes para el lavado de secado, áticos, cuartos de la piscina y de la colada. Eficiencia y bajo consumo de energía. No desgasta la ropa.

La cantidad de humedad que el deshumidificador elimina depende de la temperatura, el nivel de humedad y la ubicación. Las condiciones meteorológicas externas también pueden afectar al rendimiento del deshumidificador. Los deshumidificadores de Wood's son seguros en funcionamiento y están diseñados para su uso durante muchos años.

HUMEDAD EXCESIVA EN EL AIRE: UN PELIGRO

La condensación se produce cuando el vapor de agua en el aire entra en contacto con una superficie fría, como una ventana o una pared frías. Cuando el vapor de agua se enfría, se produce condensación y se forman gotas de agua. Con una humedad alta en el aire, este puede ponerse mohoso y provocar la aparición de moho, provocando daños a una casa y a sus muebles. Este entorno puede incluso provocar enfermedades para los ocupantes de la casa. Los ácaros y las arañas también proliferan en un entorno húmedo. Un deshumidificador con un alto rendimiento crea un nivel de humedad bueno y saludable. Para que la eficiencia sea máxima, se deben mantener cerradas las puertas y ventanas de las habitaciones que se están deshumidificando. Elimina los olores, seca la madera y elimina la humedad del equipo de exteriores.

1. ADVERTENCIAS DE SEGURIDAD



Material inflamable. Este electrodoméstico contiene R290/propano, un refrigerante inflamable.



Para obtener información sobre seguridad, consulte este manual.



Lea el Manual técnico



Lea el Manual del operador.

INFORMACIÓN DE SEGURIDAD

Antes de la instalación y uso del electrodoméstico, lea detenidamente las instrucciones suministradas. El fabricante no es responsable de las lesiones y los daños provocados como consecuencia de una instalación y un uso incorrectos. Guarde siempre las instrucciones con el electrodoméstico para consultarlas en el futuro.

Seguridad de los niños y de las personas vulnerables

ADVERTENCIA



Riesgo de lesiones o incapacidad permanente. Este electrodoméstico puede ser utilizado por niños de 8 años o más y personas con capacidades físicas, sensoriales o mentales reducidas o falta de experiencia y conocimientos, si se les ha dado supervisión o instrucciones sobre el uso del electrodoméstico de manera segura y comprenden los riesgos que implica. No permita que los niños jueguen

con el electrodoméstico.

Los niños menores de 3 años deben mantenerse alejados, a menos que estén continuamente supervisados.

Mantenga todo el embalaje lejos de los niños.

La limpieza y el mantenimiento del usuario no se deben realizar por niños sin supervisión.

Seguridad general

Este electrodoméstico está diseñado para ser utilizado en aplicaciones domésticas y similares tales como: sótanos, semisótanos, zonas de la cocina del personal en tiendas, oficinas y otros entornos de trabajo. La placa de clasificación se encuentra en la parte posterior o lateral del deshumidificador. Mantenga las aperturas de ventilación libres de obstrucciones.

No utilice dispositivos mecánicos ni otros medios para acelerar el proceso de descongelación, excepto los recomendados por el fabricante.

El electrodoméstico no debe guardarse en una habitación con fuentes de ignición que estén en funcionamiento (por ejemplo, llamas abiertas, un aparato de gas en funcionamiento o un calentador eléctrico que funcione). No lo perforo ni lo queme.

Tenga en cuenta que es posible que los refrigerantes no contengan olor. No utilice agua pulverizada ni vapor para limpiar el electrodoméstico. Limpie el electrodoméstico con un paño suave y húmedo. Utilice solo detergentes neutros. No utilice productos abrasivos, almohadillas de limpieza abrasivas, disolventes ni objetos metálicos.

Si el cable de alimentación está

dañado, debe ser sustituido por el fabricante, su Centro de servicio autorizado o por personas de cualificación similar para evitar riesgos.

INSTRUCCIONES DE SEGURIDAD

Instalación

ADVERTENCIA



Solo una persona cualificada debe instalar este electrodoméstico.

Retire todo el embalaje.

No instale ni utilice un electrodoméstico dañado.

El electrodoméstico debe instalarse, manejarse y guardarse en una habitación con una superficie de suelo superior a 2 m². Siga las instrucciones de instalación suministradas con el electrodoméstico.

Tenga siempre cuidado al mover el electrodoméstico porque es pesado. Use siempre guantes de seguridad.

Asegúrese de que el aire pueda circular alrededor del electrodoméstico.

Espere al menos 4 horas antes de conectar el electrodoméstico a la fuente de alimentación. De esta manera, se permite que el aceite vuelva a entrar en el compresor.

No instale el electrodoméstico cerca de radiadores ni otras fuentes de calor.

No instale el electrodoméstico donde haya luz directa del sol.

Conexión eléctrica

ADVERTENCIA



Riesgo de incendio y de descarga eléctrica.

El electrodoméstico debe conectarse a una toma de corriente conectada a tierra.

Asegúrese de que la información eléctrica de la placa de clasificación

coincida con la fuente de alimentación. De lo contrario, póngase en contacto con un electricista.

Utilice siempre un enchufe a prueba de descargas correctamente instalado.

No utilice adaptadores de enchufes múltiples ni alargadores.

Asegúrese de no causar daños a los componentes eléctricos (p. ej., enchufe de red, cable de red).

Póngase en contacto con el Centro de asistencia autorizado o con un electricista para cambiar los componentes eléctricos.

El cable de red debe permanecer por debajo del nivel del enchufe de red.

Conecte el enchufe de la red a la toma de corriente solamente al final de la instalación.

Asegúrese de que haya acceso al enchufe de red después de la instalación.

No tire del cable de red para desconectar el electrodoméstico.

Tire siempre del enchufe de red.

Uso

ADVERTENCIA



Riesgo de lesiones, quemaduras, descarga eléctrica o incendio.

No modifique las especificaciones de este electrodoméstico.

Tenga cuidado de no causar daños en el circuito refrigerante. Contiene propano (R290), un gas natural con un alto nivel de compatibilidad medioambiental. Este gas es inflamable.

Si se produce algún daño en el circuito del refrigerante, asegúrese de que no haya llamas y fuentes de ignición en la habitación. Ventile la habitación.

No deje productos inflamables ni

artículos que estén mojados con productos inflamables cerca o sobre el electrodoméstico.

Eliminación

ADVERTENCIA



Riesgo de lesiones.

Desconecte el electrodoméstico de la red eléctrica.

Corte el cable de alimentación y deséchelo. El circuito refrigerante de este electrodoméstico es respetuoso con el ozono. Póngase en contacto con las autoridades municipales para obtener información sobre cómo desechar el electrodoméstico correctamente. No provoque daños en la parte de la unidad de refrigeración que está cerca del intercambiador de calor.

CONFIGURACIÓN DEL DESHUMIDIFICADOR DE CARA A SU INSTALACIÓN

IMPORTANTE:

2. Instalación

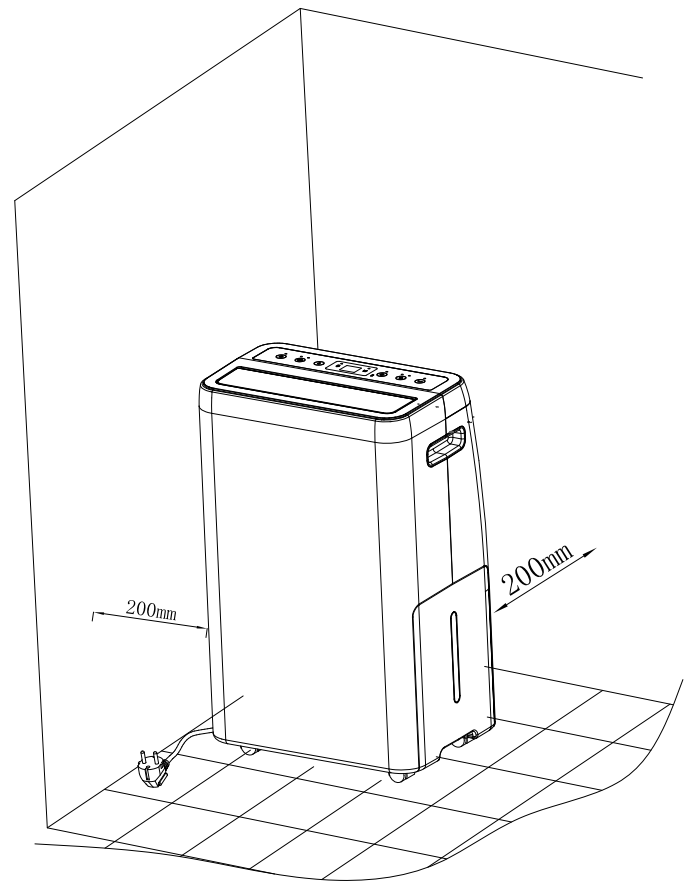
ANTES DE UTILIZARLO POR PRIMERA VEZ

Deje reposar la máquina durante 4 horas antes de usarla

Selección de la ubicación

Importante

1. Para que sea lo más eficaz posible, el deshumidificador debe funcionar en un área cerrada. Cierre todas las puertas, ventanas y otras aberturas exteriores que tenga la habitación. La eficacia del deshumidificador depende de la velocidad a la que entra aire cargado de humedad en la habitación.
2. Coloque el deshumidificador en un lugar que no restrinja el flujo de aire a través de la parte delantera de la unidad.
3. Un deshumidificador que esté funcionando en una habitación tendrá poco o ningún efecto a la hora de secar un área de almacenamiento cerrada adyacente, como puede ser un armario, a menos que haya una circulación adecuada de aire dentro y fuera del área. Puede que haya que instalar un segundo deshumidificador en el área cerrada para obtener un secado satisfactorio.
4. Asegúrese de que la unidad esté colocada sobre una superficie plana y estable. Si la superficie no es estable, existe el riesgo de que la unidad pueda estar inestable y provocar una vibración excesiva, haciendo que el agua se salga.
5. Debe haber un mínimo de espacio libre de 20 cm alrededor del deshumidificador.



DESCRIPCIÓN DEL PRODUCTO

3. Descripción del producto

A

1. Asa
2. Panel de control
3. Tapa superior
4. Función de giro
5. Carcasa delantera

B

1. Placa de aire
2. Tubo de desagüe continuo
3. Cable de alimentación
4. Carcasa trasera
5. Depósito de agua

C

1. Panel de control

D Imagen D (Imagen de símbolos en el panel de control)

1. Botón de encendido: este botón puede controlar el encendido / apagado de la máquina.
2. Botón de modo: este botón puede configurar la máquina para que funcione en modo seco o en modo de deshumidificación (durante el modo seco, se deshumidifica continuamente a la velocidad más alta)
3. Botón de humedad: durante el modo de deshumidificación, este botón puede establecer diferentes niveles de humedad deseados y el rango es 50-55-60-65-70-Co-40-45-50-55-60-65-70% HR.
4. Botón del temporizador: durante la operación, si presiona este botón durante <0.5 segundos, puede configurar la función de apagado del temporizador 0H / 1H / 2H / 3H / 4H / 5H / 6H / 7H / 8H para operar una cuenta regresiva.
5. Botón de velocidad del ventilador: este botón puede configurar la máquina para que funcione a baja o alta velocidad.
6. Botón de oscilación: este botón puede configurar la máquina para que oscile o no se balancee automáticamente.
7. Descongelar activo
8. Cubo de agua lleno

9. Bloqueo infantil: si presiona el botón del temporizador durante 3 segundos, puede activar o desactivar la función de bloqueo infantil. Durante la función de bloqueo infantil, solo se pueden configurar el temporizador y los botones de encendido / apagado. Simplemente presione este botón durante 3 segundos nuevamente para desactivar la función de bloqueo para niños.

E

1. TOP Y BOTÓN Dibuje en la parte superior y debajo de la máquina.

F

1. Panel de control
2. Debe haber un mínimo de espacio libre de 20 cm alrededor del deshumidificador.

COLOCACIÓN DEL DESHUMIDIFICADOR

- El deshumidificador no debe colocarse cerca de radiadores ni otras fuentes de calor ni exponerse a la luz directa del sol, ya que ello reducirá su rendimiento.



- Lo ideal es ponerlo en el centro de la habitación/zona.

NOTA: Cuando se coloca en una cabina de ducha o zona de baño, el deshumidificador debe fijarse en su sitio. Es obligatorio comprobar y respetar la normativa eléctrica locales en materia de cuartos de baño antes de su uso.

USO DEL DESHUMIDIFICADOR

Si el deshumidificador se transporta horizontalmente, déjelo reposar durante 4 horas antes de utilizarlo. Es muy importante que el aceite vuelva a entrar en el compresor. De lo contrario el deshumidificador puede resultar seriamente dañado.

1. Compruebe que el depósito de agua esté colocado correctamente.
2. Conecte el deshumidificador a una fuente de alimentación conectada a tierra.
3. Ajuste el nivel de humedad deseado mediante el control de humedad. Consulte la sección sobre el control de humedad.



NOTA: La humedad relativa ambiental se puede medir de manera sencilla con el deshumidificador.

MANUAL DE FUNCIONAMIENTO

1. Botón de encendido: Con este botón se puede controlar el encendido y el apagado de la máquina.
2. Botón de humedad: para ajustar la humedad deseada. Para establecer la humedad deseada, presione el botón de humedad durante 5 segundos, muestra la temperatura ambiente (0 ~ 40 °C) durante 5 segundos; Si mantiene presionado el botón Humedad, muestra la temperatura ambiente todo el tiempo. Si no presiona nuevamente, automáticamente muestra la temperatura del sensor NTC durante

5 segundos y luego muestra la humedad ambiental.

3. Configuración de humedad: abra la salida de aire para establecer la humedad entre 40%, 50%, 60% o modo continuo.
4. Temporizador: cuando el aparato está encendido, presione el temporizador 2H / 4H / 6H para operar una cuenta regresiva.
5. durante la operación, muestra humedad ambiental de 30,31,32 ... 79,80. Si es <. 30% HR, muestra LO; si es > 80% HR,
6. Modo de deshumidificación, puede configurar el nivel de humedad y la velocidad del ventilador 2 niveles

FUNCIÓN DE MEMORIA

1. Presione el botón de encendido / apagado (enchufado en la toma de corriente) y luego presione el botón de encendido / apagado nuevamente, funciona siguiendo la configuración anterior, pero la función de temporizador y bloqueo para niños no tiene memoria.
2. Sin energía cuando la operación equivale a desconectarse de repente, la máquina funciona automáticamente cuando hay energía y recuerda la configuración anterior, pero la función de bloqueo para niños no tiene memoria.
3. La unidad se encenderá automáticamente y funcionará en la última configuración después de que vuelva la energía. Funciona bajo la configuración inicial predeterminada durante el modo de deshumidificación y funciona bajo la configuración de humedad en un 50% de HR a alta velocidad.

CONTROL DE LA HUMEDAD

El deshumidificador de Wood's está provisto de un control de la humedad incorporado, que se ajusta al nivel de humedad deseado. El control registra el nivel actual de humedad y se asegura de que el deshumidificador se encienda y apague automáticamente.

DESAGÜE DEL AGUA

Cuando el depósito de agua está lleno, el deshumidificador se apaga automáticamente. Una vez vaciado el depósito de agua, la unidad se reiniciará automáticamente.

1. Desconecte el deshumidificador de la

fuentes de alimentación.

2. Vacíe el depósito de agua.
3. Vuelva a colocar el depósito de agua vacío y compruebe que el flotador se mueva libremente.
4. Conecte el deshumidificador a la fuente de alimentación.

Desagüe del agua directo

Conecte una manguera de agua a la tubería de la parte posterior del deshumidificador. Lleve el otro extremo a un desagüe. Asegúrese de que el agua se pueda drenar hacia abajo.

FILTRO DE AIRE

El filtro de aire evita que entre polvo y suciedad en la máquina, prolongando su esperanza de vida. Es importante que el filtro se limpie regularmente. Limpieza del filtro:

1. Retire el filtro.
2. Lávelo con agua tibia y un agente limpiador suave. Otra opción es limpiar el filtro con vacío.
3. Deje que el filtro se seque y vuelva a colocarlo.

OPERACIÓN DE DESCONGELACIÓN

Durante la operación de descongelación, la función de deshumidificación puede ser intermitente.

No apague el interruptor ni quite el enchufe del deshumidificador durante la operación de descongelación. Este deshumidificador no se puede aplicar para mantener temperaturas extremas bajas.

El propósito de este deshumidificador es bombear la desagradable alta humedad en la vida diaria y secar las cosas húmedas. Pero no se puede utilizar para mantener temperaturas extremas bajas.

La temperatura ambiente aumenta durante el funcionamiento.

Este deshumidificador no tiene función de refrigeración. Producirá calor durante el funcionamiento y aumenta la temperatura ambiental de 1 a 4 °C. Además, la puerta y las ventanas están cerradas y otros electrodomésticos que haya en la habitación pueden emitir calor, así como la radiación del sol puede elevar la temperatura ambiente.

MANTENIMIENTO Y LIMPIEZA

1. Como la carcasa está hecha de plástico, no la exponga a la luz solar directa.
2. Retire con cuidado el tanque de agua.
3. Si no usa el dispositivo durante mucho tiempo. Apague y desenchufe la unidad, vacíe el tanque de agua, guárdelo en un lugar seco y ventilado. Use solo un paño suave y limpio para todos los propósitos de limpieza. No use gasolina, diluyentes de pintura u otros productos químicos para limpiar la unidad.
4. Limpieza del filtro de red: retire el filtro con una aspiradora o agua para limpiarlo, luego colóquelo en un lugar ventilado hasta que esté seco.

SERVICIO

Si el deshumidificador requiere una puesta a punto, primero debe ponerse en contacto con su vendedor minorista local. Para cualquier reclamación dentro de la garantía, es preciso presentar una prueba de compra.

ALMACENAMIENTO

Antes de guardar la unidad, siga estos pasos:

1. Asegúrese de que el depósito de agua esté vacío. Cuando la unidad esté encendida, asegúrese de que la unidad funcione en el modo de Ventilación durante al menos 30 minutos para extraer el agua que haya dentro de la unidad.
2. Recoja y haga un ovillo del cable de alimentación.
3. Limpie el filtro.
4. Guárdela en un entorno limpio y seco.

Para cualquier reclamación dentro de la garantía, es preciso presentar una prueba de compra.

CONSEJOS

Cuando el deshumidificador se utiliza en entornos extremadamente húmedos o cuando la temperatura es inferior a +5 °C, el deshumidificador puede dejar de funcionar. Una gran cantidad de hielo se acumula en la bobina de refrigeración. Apague el

deshumidificador y colóquelo un poco por encima del nivel del suelo para que el hielo se derrita.

A veces puede ser útil utilizar un protector antiescarpa o un calefactor para asegurarse de que la temperatura no se sitúe por debajo de +10 °C. Incluso si el MRD20/14 funciona hasta temperaturas tan bajas como +5 °C, su capacidad aumentará a temperaturas más altas ya que el aire caliente transporta más agua.

El hidrostato tiene un margen de error de aprox. +/- 5-10 %. A temperaturas más bajas, el margen de error podría aumentar más.

Para una potencia de deshumidificación máxima en una habitación, se recomienda que el suministro de aire desde el exterior y desde las habitaciones contiguas se minimice; cierre las puertas y los respiradores.

En otoño y verano podrá tener una mayor capacidad de deshumidificación ya que el aire del exterior es más caliente y más húmedo.

¡IMPORTANTE! - El deshumidificador de Wood's debe conectarse a una fuente de alimentación con conexión a tierra. La fuente de alimentación debe ser 220V-240V 50Hz

PROBLEMA	CAUSA	SOLUCIÓN
El deshumidificador no funciona	El cable de alimentación no está conectado	Compruebe que el deshumidificador está conectado a la electricidad y que no hayan saltado los fusibles. Compruebe que el depósito de agua esté vacío y correctamente colocado en el deshumidificador.
No deshumidifica	El depósito de agua está lleno. El depósito de agua no se ha cambiado correctamente. El filtro de aire está obstruido. La temperatura o la humedad relativa de la habitación donde está funcionando el dispositivo son demasiado bajas.	Extraiga el agua del depósito. Coloque el depósito de agua en la posición correcta. Limpie el filtro de aire. Compruebe que el aire puede fluir libremente por el deshumidificador. La parrilla frontal y el filtro del aire deben estar limpios y el deshumidificador debe estar colocado a 20 cm de la pared.
El deshumidificador funciona, pero reduce la humedad relativa de manera insuficiente.	La habitación es demasiado grande. Hay demasiadas fuentes de humedad. Hay demasiada ventilación.	Recomendamos utilizar un deshumidificador con una mayor capacidad. Recomendamos utilizar un deshumidificador con una mayor capacidad. Reduzca la ventilación (por ejemplo, cierre las ventanas y las puertas).
Si tiene problemas con su deshumidificador, consulte la sección de localización y resolución de problemas. Si ninguna de las soluciones indicadas funciona, póngase en contacto con su distribuidor para que realice la puesta a punto de su deshumidificador.		

Garantías

Garantía de dos años para el consumidor por fallos de producción. Tenga en cuenta que la garantía solo es válida tras la presentación del tique de compra. La garantía solo es válida si el producto se utiliza de acuerdo con las instrucciones y advertencias de seguridad incluidas en este manual. La garantía no cubre los daños causados por la manipulación incorrecta del producto.

NOTA: La garantía de dos años solo se aplica a los consumidores y no al uso comercial de la unidad.



¡NOTA!

Regístrese en www.warranty-woods.com y descubra cómo puede ampliar la garantía. Para obtener más información, visite www.woods.se.

Límites de uso recomendados

Temp. de +5 °C a +35 °C

Humedad relativa: de 30 % a 90 %

Nivel de humedad recomendado:
apr. 50 % HR

DATOS TÉCNICOS

	MRD20
Zona de trabajo máx.	70 m ²
Flujo de aire	175m ³ /h±10%
Deshumidificación a 30 °C y 80 % de HR	21,1 l / 24 h
Potencia a 30 °C y 80 % de HR	315 W±10%
Volumen del depósito	3,8 litros
Refrigerante	R290
Charge R290	60 g
Tensión	220-240V
Nivel de ruido en decibelios	48dB
Peso	15,5 kg
Dimensiones en mm, L x Anch. x Alt.	355x252x567

	MRD25
Zona de trabajo máx.	120 m ²
Flujo de aire	180m ³ /h±10%
Deshumidificación a 30 °C y 80 % de HR	25 l / 24 h
Potencia a 30 °C y 80 % de HR	414 W±10%
Volumen del depósito	3,8litros
Refrigerante	R290
Charge R290	85 g
Tensión	220-240V
Nivel de ruido en decibelios	48dB
Peso	16 kg
Dimensiones en mm, L x Anch. x Alt.	355x252x567

*Puede haber cambios técnicos y mejoras. Todos los valores son aproximados y pueden variar debido a circunstancias externas tales como la temperatura, la ventilación y la humedad.



*Este marcado indica que este producto no se debe eliminar con otros desechos domésticos en toda la UE. Para evitar posibles daños al medio ambiente o a la salud de las personas a raíz de la eliminación incontrolada de desechos, reciclelo de una manera responsable para fomentar la reutilización sostenible de los recursos materiales. Para devolvernos su dispositivo, utilice los sistemas de devolución y recogida o póngase en contacto con el minorista donde compró el producto. Pueden llevarse este producto y reciclarlo de manera que sea seguro para el medio ambiente.

WOOD'S, EEN VAN DE WERELDLEIDERS OP HET GEBIED VAN LUCHTONTVOCHTIGERS

Wood's ontvochtigers staan al vele jaren bekend als marktleidend. De luchtontvochtigers van Wood's zijn geschikt voor gebruik in de meest veeleisende klimaten, waar de ontvochtigingscapaciteiten goed zijn, zelfs bij verschillende temperaturen en luchtvochtigheid. Ze worden met goed resultaat gebruikt in panden en ruimtes die vochtig worden, zoals kelders, garages of zomerhuisjes. Ze zijn tevens uitstekend geschikt voor het drogen van de was, zolders, biljartgelegenheden en wasserijen. Efficiënt en laag energieverbruik. Geen slijtage aan kleding.

De hoeveelheid vocht die een luchtontvochtiger verwijdert hangt af van de temperatuur, vochtigheidsgraad en plaatsing. Ook externe weersomstandigheden kunnen van invloed zijn op de prestaties van de luchtontvochtiger. Wood's luchtontvochtigers zijn veilig te bedienen en bedoeld voor jarenlang gebruik.

OVERMATIGE LUCHTVOCHTIGHEID - EEN GEVAAR

Condensatie treedt op wanneer waterdamp in de lucht in aanraking komt met een koud oppervlak zoals een koud raam of muur. Bij het afkoelen van waterdamp ontstaat condensatie en er worden waterdruppels gevormd. Bij een hoge luchtvochtigheid kan de lucht muf worden en kan er schimmelvorming optreden, dit veroorzaakt schade aan een huis en alles wat er in staat. Deze omgeving kan zelfs leiden tot ziekte bij de bewoners. Ook mijten en spinnen gedijen goed in een vochtige omgeving. Een luchtontvochtiger met hoge prestaties zorgt voor een goede, gezonde luchtvochtigheid. Voor de grootste efficiëntie moeten de deuren en ramen van de ruimtes die ontvochtigd worden, gesloten worden gehouden. Verwijdert reuk, droogt hout en verwijdert vocht uit outdoor kleding.

1. VEILIGHEIDSWAARSCHUWINGEN



Ontvlambaar materiaal. Dit apparaat bevat R290/ Propaan, een ontvlambaar koelmiddel.



Raadpleeg deze handleiding voor veiligheidsinformatie.



Lees de technische handleiding



Lees de gebruikshandleiding.

VEILIGHEIDSWAARSCHUWINGEN

Lees vóór installatie en gebruik van het apparaat de bijgeleverde handleidingen aandachtig door. De fabrikant is niet verantwoordelijk als onjuiste installatie en gebruik leiden tot letsel en schade. Houd de handleidingen altijd bij het apparaat voor toekomstig gebruik.

Veiligheid kinderen en kwetsbare personen

WAARSCHUWING



Risico op letsel of blijvende invaliditeit. Dit apparaat kan worden gebruikt door kinderen van 8 jaar en ouder en personen met verminderde lichamelijke, zintuiglijke of mentale vermogens of gebrek aan ervaring en kennis indien zij op een veilige manier begeleid worden of instructie hebben gekregen over het gebruik van het apparaat en de gevaren begrijpen. Laat kinderen niet met het apparaat spelen.

Kinderen jonger dan 3 jaar moeten van het apparaat weggehouden worden, tenzij zij onder voortdurend toezicht staan. Houd alle verpakkingen uit de buurt van kinderen. Reiniging en gebruikersonderhoud mogen

niet door kinderen worden uitgevoerd zonder dat er toezicht is.

Algemene veiligheid

Dit apparaat is bedoeld om te worden gebruikt in huishoudelijke en soortgelijke toepassingen, zoals: kelders, kruipruimten; personeelskeukens in winkels, kantoren en andere werkomgevingen. Het typeplaatje zit aan de achterzijde of aan de zijkant van de ontvochtiger.

Zorg dat de ventilatieopeningen niet geblokkeerd worden.

Gebruik geen mechanische apparaten of andere middelen om het ontdooiproces te versnellen, anders dan die door de fabrikant aanbevolen.

Het apparaat mag niet worden opgeslagen in een ruimte met werkende ontstekingsbronnen (bijv. open vuur, een gasapparaat in gebruik of een werkende elektrische kachel. Niet doorboren of branden.

Let op dat koelmiddelen geen geur mogen bevatten. Gebruik geen waterstraal en stoom om het apparaat schoon te maken. Reinig het apparaat met een vochtige zachte doek. Gebruik alleen neutrale schoonmaakmiddelen. Gebruik geen schurende producten, schuursponsen, oplosmiddelen of metalen voorwerpen. Indien het netsnoer beschadigd is, moet het worden vervangen door de fabrikant, een erkend servicecentrum of gelijkwaardig gekwalificeerde personen om problemen te voorkomen.

VEILIGHEIDSWAARSCHUWINGEN

Installatie

WAARSCHUWING



Dit apparaat mag alleen door een gekwalificeerd persoon geïnstalleerd worden.

Verwijder alle verpakkingen. Installeer of gebruik geen beschadigd apparaat. Het apparaat moet geïnstalleerd, gebruikt en opgeslagen worden in een ruimte met een

vloeroppervlak van ten minste 2 m². Volg de installatie-instructie die bij het apparaat is meegeleverd. Wees altijd voorzichtig wanneer u het apparaat verplaatst omdat het zwaar is. Draag altijd veiligheidshandschoenen.

Zorg ervoor dat er lucht rond het toestel kan circuleren. Wacht minimaal 4 uur voordat u het apparaat aansluit op het net. Dit is om de olie terug te laten stromen naar de compressor. Installeer het toestel niet vlak bij radiatoren of andere warmtebronnen. Installeer het toestel niet in direct zonlicht.

Elektrische aansluiting



WAARSCHUWING
Gevaar voor brand en elektrische schokken.
Het apparaat moet op een geaard stopcontact zijn aangesloten. Zorg dat de elektrische gegevens op het typeplaatje overeenkomen met de netspanning. Is dat niet het geval dan moet u contact opnemen met een elektricien.
Gebruik altijd een correct geïnstalleerd slagvast stopcontact. Gebruik geen stekkerdozen en verlengkabels.
Zorg ervoor dat u de elektrische componenten niet beschadigt (bijv. stekker, netsnoer).
Neem contact op met het geautoriseerde servicecentrum of een elektricien om de elektrische componenten te vervangen.
Het netsnoer moet lager liggen dan de stekker.
Steek pas aan het einde van de installatie de stekker in het stopcontact.
Controleer of u na de installatie bij de stekker kunt.
Trek niet aan het netsnoer om het

apparaat los te koppelen. Trek altijd aan de stekker.

Gebruik

WAARSCHUWING



Risico op letsel, brandwonden, elektrische schokken of brand. Wijzig de specificatie van dit toestel niet.

Zorg ervoor dat u het koelcircuit niet beschadigt. Het bevat propaan (R290), een natuurlijk gas met een grote milieu-compatibiliteit. Dit gas is ontvlambaar.

Als er schade aan het koelcircuit ontstaat moet u ervoor zorgen dat er geen vlammen of andere ontstekingsbronnen in de ruimte zijn. Ventileer de kamer. Zet geen brandbare producten of voorwerpen die nat zijn van brandbare stoffen in de buurt van of op het apparaat.

Afvoeren

WAARSCHUWING



Risico op letsel.
Koppel het apparaat los van het net. Knip het netsnoer af en gooi dit weg. Het koelcircuit van dit apparaat is ozonvriendelijk. Neem contact op met uw gemeentelijke milieustation voor informatie over hoe u het apparaat correct afvoert.
Zorg dat het gedeelte van de koeleenheid dat zich in de buurt van de warmtewisselaar bevindt niet beschadigd raakt.

LUCHTONTVOCHTIGER VOORBEREIDEN VOOR INSTALLATIE

BELANGRIJK:

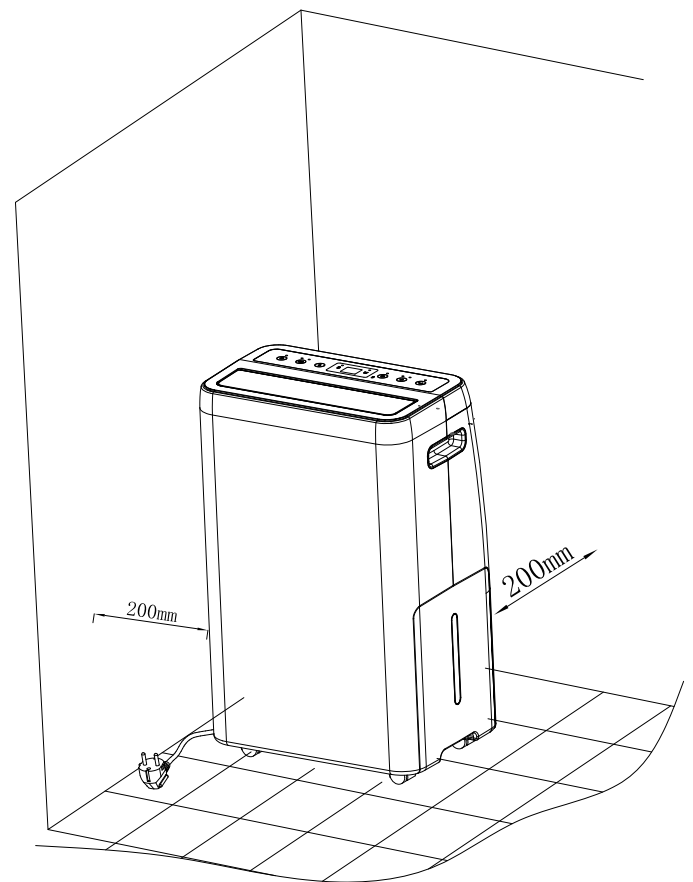
2. Installatie

VOOR HET EERSTE GEBRUIK

Laat de machine 4 uur rechtop staan voordat deze in gebruik wordt genomen
Een plek kiezen

Belangrijk

1. De ontvochtiger moet in een gesloten gebied worden gebruikt voor de hoogste effectiviteit. Sluit alle deuren, ramen en andere openingen naar de kamer. De effectiviteit van de ontvochtiger is afhankelijk van de snelheid waarmee nieuwe vochtige lucht de kamer binnenkomt.
2. Plaats de ontvochtiger op een locatie die de luchtstroom door de voorkant van het apparaat niet belemmert.
3. Een ontvochtiger die in een ruimte aan staat, heeft weinig of geen droogeffect in een aangrenzende afgesloten opslagruimte, zoals een kast, tenzij er voldoende luchtcirculatie in en uit deze ruimte is. Het kan nodig zijn om een tweede ontvochtiger in deze afgesloten ruimte te plaatsen voor een bevredigend droogeffect.
4. Zorg dat de eenheid op een stabiele en vlakke ondergrond staat. Als de ondergrond niet stabiel is, bestaat de kans dat het apparaat instabiel kan worden en extreme trillingen kan veroorzaken waardoor er water vrijkomt.
5. Rond de luchtontvochtiger moet ten minste 20 cm vrije ruimte zijn.



PRODUCTBESCHRIJVING

3. Productbeschrijving

A

1. Draagbeugel
2. Bedieningspaneel
3. Bovendeksel
4. Pendelfunctie
5. Behuizing voorkant

B

1. Luchtplaat
2. Leiding voor continue afvoer
3. Netsnoer
4. Behuizing achterkant
5. Waterreservoir

C

1. Bedieningspaneel

functie in- of uitschakelen. Tijdens de kinderslotfunctie kunnen alleen timer- en aan / uit-knoppen worden ingesteld. Druk nogmaals 3 seconden op deze knop om de kinderslotfunctie uit te schakelen.

E

1. BOVENKANT EN KNOOP Schets boven en onder de machine

F

1. Rond de luchtontvochtiger moet ten minste 20 cm vrije ruimte zijn.

D Afbeelding D (Afbeelding van symbolen op bedieningspaneel)

1. Aan / uit-knop: Met deze knop kan de machine aan / uit worden bediend.
2. Modusknop: Met deze knop kan de machine in de droge modus of de ontvochtigingsmodus werken. (Tijdens de droge modus ontvochtigt hij continu onder de hoogste snelheid)
3. Vochtigheidsknop: Tijdens de ontvochtigingsmodus kan deze knop verschillende gewenste vochtigheid instellen en het bereik is 50-55-60-65-70-Co-40-45-50-55-60-65-70% RH.
4. Timer-knop: Als u tijdens gebruik <0,5 sec. Op deze knop drukt, kan de timer-uit-functie 0H / 1H / 2H / 3H / 4H / 5H / 6H / 7H / 8H worden ingesteld om het aftellen te laten verlopen.
5. Ventilatorsnelheidknop: Met deze knop kan de machine werken met lage snelheid of hoge snelheid.
6. Swing-knop: Met deze knop kan de machine zwaaien of niet automatisch zwaaien.
7. Ontdooien actief
8. Waterremmer vol
9. Kinderslot: als u de timerknop 3 seconden ingedrukt houdt, kan het de kinderslot-

PLAATSING VAN DE LUCHTONTVOCHTIGER

- De luchtontvochtiger mag niet vlak bij radiators of andere warmtebronnen of in de volle zon worden geplaatst, omdat hierdoor de prestaties verminderen.



- Ideaal is om het apparaat midden in de kamer/ruimte te plaatsen.

OPMERKING: Wanneer hij in een badkamer wordt geplaatst, moet de luchtontvochtiger worden vastgezet op de door u gekozen plek. Het is verplicht om voor gebruik uw voorschriften betreffende elektriciteit in badkamers te controleren.

GEBRUIK VAN DE LUCHTONTVOCHTIGER

Als de ontvochtiger horizontaal is vervoerd, laat deze dan 4 uur staan voor ingebruikname. Het is zeer belangrijk dat de olie terugloopt naar de compressor, anders kan de luchtontvochtiger ernstig beschadigd raken.

1. Controleer of het waterreservoir correct geplaatst is.
2. Sluit de luchtontvochtiger aan op de voeding.
3. Stel de gewenste luchtvochtigheid in met de luchtvochtigheidsregeling. Zie de sectie over de luchtvochtigheidsregeling.



OPMERKING: De relatieve luchtvochtigheid kan eenvoudig worden gemeten met de ontvochtiger.

GEBRUIKSAANWIJZING

1. Aan/uit-knop: Met deze knop kunt u de machine aan- en uit zetten.
2. Knop voor de luchtvochtigheid: Om de gewenste luchtvochtigheid in te stellen druk gedurende 5s op de Vochtigheidsknop, het toont de omgevingstemperatuur (0 ~ 40 °C) gedurende 5s; als je de toets Vochtigheid ingedrukt houdt, wordt de hele tijd de omgevingstemperatuur weergegeven. Als u niet opnieuw drukt, wordt automatisch de temperatuur van de NTC-sensor gedurende 5 seconden weergegeven

- en vervolgens de luchtvochtigheid.
3. Vochtigheidsinstellingen: Open de luchtuitlaat ingestelde vochtigheid tussen 40%, 50%, 60% of continue modus.
4. Timer: Druk als het apparaat aan staat op Timer 2H / 4H / 6H om af te tellen.
5. tijdens bedrijf toont het omgevingsvochtigheid van 30,31,32 ... 79,80. Als het <is. 30% RH, het toont LO; als het > 80% RH is,
6. Ontvochtigingsmodus U kunt de luchtvochtigheid en ventilatorsnelheid 2 niveaus instellen.

GEHEUGENFUNCTIE

1. Druk op de aan / uit-knop (in het stopcontact gestoken) en druk vervolgens opnieuw op de aan / uit-knop, het werkt volgens de vorige instelling, maar de timer en de kinderslotfunctie hebben geen geheugen.
2. Geen stroom wanneer de werking gelijk is aan het plotseling uitschakelen van de machine, werkt automatisch wanneer er stroom is en het onthoudt de vorige instelling, maar de kinderslotfunctie heeft geen geheugen.
3. Het apparaat wordt automatisch ingeschakeld en werkt in de laatste instelling nadat de stroom is teruggekeerd. Het werkt onder de oorspronkelijke standaardinstelling tijdens de ontvochtigingsmodus en werkt onder een vochtigheidsinstelling van 50% RH op hoge snelheid.

LUCHTVOCHTIGHEIDSREGELING

Wood's luchtontvochtiger is uitgerust met een ingebouwde luchtvochtigheidsregeling, die wordt ingesteld op de gewenste luchtvochtigheid. De regeling registreert de actuele luchtvochtigheid en zorgt ervoor dat de luchtontvochtiger automatisch wordt in- en uitgeschakeld

WATERAFVOER

Wanneer het waterreservoir vol is, gaat de luchtontvochtiger automatisch uit. Zodra het waterreservoir geleegd is, wordt het apparaat automatisch opnieuw opgestart.

1. Haal de stekker van de luchtontvochtiger uit het stopcontact.
2. Leeg het waterreservoir.
3. Plaats het lege waterreservoir terug en controleer of de vlotter vrij

beweegt.

4. Sluit de luchtontvochtiger aan op de voeding.

Directe waterafvoer

Sluit een waterslang aan op de pijp aan de achterzijde van de ontvochtiger. Leg het andere uiteinde naar een afvoer. Zorg ervoor dat het water naar beneden weg kan lopen.

LUCHTFILTER

Het luchtfilter voorkomt dat stof en vuil in de machine terecht komen, wat de verwachte levensduur verlengt. Het is belangrijk dat het filter regelmatig wordt gereinigd. Reiniging van het filter:

1. Verwijder het filter.
2. Was het met warm water en een zacht schoonmaakmiddel. U kunt het filter ook stofzuigen.
3. Laat de filter drogen en zet hem terug.

ONTDOOÏEN

Tijdens het ontdooien kan de ontvochtigingsfunctie intermitterend werken.

Zet tijdens het ontdooien de schakelaar niet uit en trek ook de stekker van de ontvochtiger niet uit het stopcontact. Deze ontvochtiger kan niet gebruikt worden om extreme lage temperatuur aan te houden.

Het doel van deze luchtontvochtiger is om onaangenaam hoge luchtvochtigheid in het dagelijks leven af te voeren en de natte voorwerpen te drogen. Maar het kan niet worden gebruikt om extreem lage temperaturen aan te houden.

De kamertemperatuur stijgt tijdens het in bedrijf zijn.

Deze ontvochtiger heeft geen koelfunctie. Het zal warmte produceren tijdens de werking en verhoogt de kamertemperatuur met 1 tot 4°C. Kan de kamertemperatuur verhoogt worden doordat de deur en ramen gesloten zijn, er andere apparaten in de kamer kunnen zijn die warmte afgeven en kan er de straling van de zon zijn.

ONDERHOUD

1. *Het is beschikbaar voor gebruik in plastic, met een vaste inhoud.*
2. *Ta bort vattentanken försiktigt.*
3. *Om du inte använder enheten på länge. Stäng av och koppla ur enheten, töm vattenbehållaren, förvara den på torr och ventilerad plats. Använd bara en mjuk ren trasa för alla rengöringsändamål. Använd inte bensin, färgtunnare eller andra kemikalier för att rengöra enheten.*
4. *Rengöring av nätfiler: Ta bort filtret med hjälp av and dammsugare eller vatten för att rengöra, lägg det sedan på ventilerad plats tills det är torrt.*

SERVICE

Als de ontvochtiger onderhoud nodig heeft, moet u eerst contact opnemen met uw lokale leverancier. U heeft een aankoopbewijs nodig voor alle garantieclaims.

OPSLAG

Voer de volgende stappen uit voordat het apparaat wordt opgeslagen:

1. Zorg dat de watertank leeg is. Als het apparaat is ingeschakeld, moet u ervoor zorgen dat het apparaat gedurende ten minste 30 minuten in de ventilatiemodus draait om het water uit het apparaat te verwijderen.
2. Rol het netsnoer op.
3. Reinig het filter.
4. Sla op in een schone, droge omgeving.

U heeft een aankoopbewijs nodig voor alle garantieclaims.

TIPS

Wanneer de ontvochtiger wordt gebruikt in extreem vochtige omgevingen of wanneer de temperatuur lager is dan +5°C, kan het zijn dat de ontvochtiger niet werkt. Een grote hoeveelheid ijs heeft

zich op de koelspiraal opgebouwd. Zet de ontvochtiger uit en plaats deze een beetje boven de vloer zodat het ijs wegsmelt.

Het kan soms handig zijn om een vorstbeschermer of een kachelventilator te gebruiken om de temperatuur boven de +10°C te houden. Ook al functioneert de MRD20/14 bij temperaturen zo laag als +5°C, de capaciteit ervan zal bij hogere temperaturen hoger zijn omdat warmere lucht meer water kan bevatten.

De hydrostaat heeft een foutmarge van ca. +/-5-10%. Bij lagere temperaturen kan de foutmarge groter worden.

Voor maximaal ontvochtigingsvermogen in een ruimte is het raadzaam de luchttoevoer van buiten en van aangrenzende kamers zo klein mogelijk te maken: sluit deuren en zet ventilatoren uit.

U kunt een hogere ontvochtigingscapaciteit verwachten tijdens de herfst/zomer omdat de buitenlucht dan warmer en vochtiger is.

BELANGRIJK! -Wood's luchtontvochtigers moeten aangesloten worden op een geaard stopcontact. De netaansluiting moet 220-240 V / 50 Hz zijn

PROBLEEM	OORZAAK	ACTIE
De luchtontvochtiger functioneert niet	Niet aangesloten op het net	Controleer of de luchtontvochtiger is aangesloten op de elektriciteit en of de zekering niet gesprongen is. Controleer of het waterreservoir leeg is en correct in de luchtontvochtiger is geplaatst.
Ontvochtigt niet	Het waterreservoir is vol. Het waterreservoir is niet correct geplaatst. Het luchtfilter is verstopt. De temperatuur of relatieve luchtvochtigheid in de ruimte waar het apparaat staat, is te laag.	Verwijder het water uit het waterreservoir. Plaats het waterreservoir in de correcte positie. Reinig het luchtfilter. Controleer of de lucht vrij door de luchtontvochtiger heen kan stromen. Het rooster aan de voorkant en het luchtfilter moeten schoon zijn en de luchtontvochtiger moet 20 cm van de muur staan.
De luchtontvochtiger werkt, maar verlaagt de relatieve luchtvochtigheid onvoldoende.	De ruimte is te groot. Er zijn te veel vochtigheidsbronnen. Er is te veel ventilatie	Wij raden een luchtontvochtiger met een grotere capaciteit aan. Wij raden een luchtontvochtiger met een grotere capaciteit aan. Verminder de ventilatie (b.v. sluit ramen en deuren.)

Als u problemen ondervindt met uw airconditioner, raadpleeg dan de probleemoplossing. Als geen van de adviezen het probleem verhelpt, neem dan contact op met uw dealer voor onderhoud van uw product.

Garanties

2 jaar consumentengarantie tegen productiefouten. Houd er rekening mee dat de garantie alleen geldig is na overleg van de aankoopnota. De garantie is alleen geldig als het product wordt gebruikt in overeenstemming met de instructies en veiligheidswaarschuwingen die in deze handleiding staan aangegeven. De garantie dekt geen schade die wordt veroorzaakt door een onjuiste behandeling van het product.

OPMERKING: De 2 jaar garantie geldt alleen voor consumenten en niet voor commercieel gebruik van het apparaat.



LET OP!

Registreer u op www.warranty-woods.com en lees meer over hoe u aanspraak kunt maken op uitgebreide garantie. Ga naar www.woods.se voor meer informatie.

Aanbevolen gebruiksgrenzen

Temp. +5°C tot +35°C

Relatieve luchtvochtigheid: 30% tot 90%

Aanbevolen luchtvochtigheid: ong. 50% RV

TECHNISCHE GEGEVENS

	MRD20
Max. werkgebied	70 m ²
Luchtdebiet	175m ³ /h±10%
Ontvochtiging bij 30°C en 80% RV	21,1 l/24 u
Vermogen bij 30°C en 80% RV	315 W±10%
Inhoud reservoir	3,8 liter
Koelmiddel	R290
Hoeveelheid R290	60 g
Spanning	220-240V
Geluidsniveau in decibels	48 dB
Gewicht	15,5 kg
Afmetingen in mm, L x B x H	355x252x567

	MRD25
Max. werkgebied	120m ²
Luchtdebiet	180m ³ /u
Ontvochtiging bij 30°C en 80% RV	25 l/24 u
Vermogen bij 30°C en 80% RV	414 W±10%
Inhoud reservoir	3,8 liter
Koelmiddel	R290
Hoeveelheid R290	85 g
Spanning	220-240V
Geluidsniveau in decibels	48 dB
Gewicht	16 kg
Afmetingen in mm, L x B x H	355x252x567

* Technische veranderingen en verbeteringen kunnen voorkomen. Alle waarden zijn bij benadering en kunnen variëren als gevolg van externe omstandigheden zoals temperatuur, ventilatie en luchtvochtigheid.



* Deze markering geeft aan dat dit product in de EU niet met andere huishoudelijke afvalstoffen mag worden verwijderd. Om eventuele schade aan het milieu of gezondheid door ongecontroleerde afvalverwijdering te vermijden, moet u het verantwoord recyclen om het duurzame hergebruik van grondstoffen te stimuleren. Als een consument, bij het afdanken van dit product, kunt u contact opnemen met uw handelaar of uw plaatselijke autoriteiten (plaatselijk bestuur, burgemeester enz.) om details te verkrijgen over het recyclen van dit product. Zij kunnen dit product accepteren voor milieuveilig recyclen.

FIRMA WOOD'S JEST JEDNYM Z WIODĄCYCH NA ŚWIECIE PRODUCENTÓW OSUSZACZY

Osuszacze firmy Wood's od lat wiodą prym na rynkach światowych. Osuszacze firmy Wood's przystosowane są do pracy nawet w najbardziej wymagających klimatach. Ich wydajność pozostaje na dobrym poziomie nawet przy różnych temperaturach i poziomach wilgotności. Osuszacze zapewniają bardzo dobre rezultaty w miejscach takich jak piwnice, garaże czy domki letniskowe, w których często panuje duża wilgotność powietrza. Również wspaniale radzą sobie z suszeniem prania, osuszaniem strychów, pralni i sal bilardowych. Efektywność i niskie zużycie energii. Nie niszczy ubrań.

Ilość wilgoci usuwanej przez osuszacz zależy od temperatury, poziomu wilgotności i miejsca ustawienia osuszacza. Zewnętrzne warunki pogodowe również mogą wpłynąć na wydajność osuszacza. Osuszacze firmy Wood's są bezpieczne w obsłudze i zaprojektowane z myślą o użytkowaniu przez wiele lat.

NADMIERNA WILGOTNOŚĆ POWIETRZA — ZAGROŻENIE

Do kondensacji dochodzi, kiedy para wodna wchodzi w kontakt z zimną powierzchnią, np. okna lub ściany. Prowadzi to do jej ochłodzenia, kondensacji i powstania kropeł wody. Następnie w miejscach o wysokiej wilgotności powietrza może dochodzić do powstania pleśni i zagrzybienia, które z kolei prowadzi do uszkodzenia lokalu mieszkaniowego i jego mebli. Środowisko to może nawet wywoływać choroby u mieszkańców. Rostocza i pająki również dobrze się rozwijają w wilgotnym środowisku. Osuszacz o wysokiej wydajności zapewnia dobrą, zdrową wilgotność powietrza. W celu zapewnienia najwyższej wydajności drzwi i okna osuszanych pomieszczeń powinny być zamknięte. Osuszacz usuwa nieprzyjemne zapachy, przyjaźnie osusza drewno i usuwa wilgoć ze sprzętu sportowego.

1. OSTRZEŻENIA DOTYCZĄCE BEZPIECZEŃSTWA



Materiał łatwopalny. Urządzenie zawiera palny czynnik chłodniczy R290/propan.



Informacje dotyczące bezpieczeństwa można znaleźć w tym podręczniku.



Przeczytaj instrukcję techniczną



Przeczytaj instrukcję obsługi.

INFORMACJE DOTYCZĄCE BEZPIECZEŃSTWA

Przed instalacją i użytkowaniem urządzenia należy dokładnie zapoznać się z załączoną instrukcją obsługi. Producent nie ponosi odpowiedzialności, jeśli nieprawidłowy montaż i użytkowanie spowodują obrażenia ciała i szkody. Instrukcję obsługi urządzenia należy zawsze zachować na przyszłość.

Bezpieczeństwo dzieci oraz osób szczególnie podatnych na zagrożenia

OSTRZEŻENIE



Niebezpieczeństwo odniesienia obrażeń i trwałej utraty sprawności. Urządzenie będące przedmiotem tej instrukcji może być użytkowane przez dzieci w wieku od lat 8 wzwyż, przez osoby o ograniczonej sprawności ruchowej, sensorycznej bądź umysłowej oraz przez osoby niemające odpowiedniego doświadczenia tylko pod

warunkiem, że podczas użytkowania pozostają pod nadzorem albo zostały uprzednio poinstruowane w zakresie bezpiecznego użytkowania urządzenia i rozumieją związane z tym zagrożenia. Nie pozwalać dzieciom bawić się urządzeniem.

Dzieci poniżej 3 roku życia powinny być trzymane z dala od urządzenia, chyba że są pod stałym nadzorem. Przechowywać wszystkie opakowania z dala od dzieci. Dzieci nie mogą czyścić ani konserwować urządzenia bez nadzoru.

Bezpieczeństwo ogólne
Urządzenie jest przeznaczone do użytku domowego i podobnych zastosowań, jak np: w piwnicach, pustkach podpodłogowych; kuchniach dla personelu w sklepach, biurach i innych miejscach pracy. Tabliczka znamionowa znajduje się za osuszaczem lub po jego bocznej stronie.

Otwory wentylacyjne nie mogą być zasłonięte.

Procesu rozmrażania nie należy przyspieszać przy pomocy urządzeń mechanicznych ani żadnych środków innych niż zalecane przez producenta.

Urządzenia nie wolno przechowywać w pomieszczeniach, gdzie pracują źródła zapłonu (np. nieosłonięty płomień, działające urządzenie gazowe lub działająca grzałka elektryczna). Nie dziurawić i nie przypalać.

Należy pamiętać, że czynniki chłodnicze mogą być bezzapachowe. Nie czyścić urządzenia rozpyloną wodą ani parą. Czyścić urządzenie wilgotną, miękką ściereczką. Stosować wyłącznie detergenty obojętne.

Nie używać produktów ściernych, ściernych podkładek czyszczących, rozpuszczalników lub przedmiotów metalowych.

W razie uszkodzenia przewodu zasilającego należy go wymienić u producenta, w autoryzowanym punkcie serwisowym lub u osób o podobnych kwalifikacjach, aby uniknąć zagrożenia.

WSKAZÓWKI BEZPIECZEŃSTWA

Instalowanie

OSTRZEŻENIE



Tylko wykwalifikowana osoba może zainstalować urządzenie.

Usunąć wszystkie opakowania.

Urządzenia uszkodzonego nie instalować ani nie używać.

Urządzenie powinno być zainstalowane, obsługiwane

i przechowywane w pomieszczeniu o metrażu powyżej 2 m².

Zastosować się do instrukcji montażu dołączonej do urządzenia.

Zawsze należy zachować ostrożność podczas przenoszenia urządzenia, ponieważ jest ciężkie. Należy zawsze nosić rękawice ochronne.

Upewnić się, że powietrze może krążyć wokół urządzenia.

Przed podłączeniem urządzenia do sieci należy odczekać co najmniej 4 godziny. Ma to na celu umożliwienie powrotu oleju do sprężarki.

Nie instalować urządzenia w pobliżu grzejników lub innych źródeł ciepła.

Nie instalować urządzenia w miejscach bezpośrednio nasłonecznionych.

Podłączenie elektryczne

OSTRZEŻENIE



Niebezpieczeństwo pożaru i porażenia prądem elektrycznym.

Urządzenie musi być podłączone do uziemionego gniazdka.

Upewnić się, że informacje

elektryczne zamieszczone na tabliczce znamionowej są zgodne z parametrami zasilania.

W przeciwnym razie skontaktować się z elektrykiem.

Należy zawsze używać prawidłowo zainstalowanego gniazda odpornego na wstrząsy.

Nie należy używać adapterów i przedłużaczy wielogniazdowych.

Uważać, aby nie uszkodzić elementów elektrycznych (np. wtyczki sieciowej, kabla sieciowego).

W celu wymiany części elektrycznych należy skontaktować się z autoryzowanym punktem serwisowym lub elektrykiem.

Kabel sieciowy musi znajdować się poniżej poziomu wtyczki sieciowej.

Wtyczkę sieciową należy podłączać do gniazda sieciowego dopiero po zakończeniu instalacji.

Po zakończeniu instalacji należy upewnić się, że wtyczka sieciowa jest podłączona do gniazdka.

Nie ciągnąć za kabel sieciowy w celu odłączenia urządzenia. Zawsze ciągnąć za wtyczkę sieciową.

Użytkowanie

OSTRZEŻENIE



Niebezpieczeństwo obrażeń, oparzeń, porażenia prądem elektrycznym lub pożaru.

Nie należy zmieniać specyfikacji urządzenia.

Uważać, aby nie uszkodzić obiegu czynnika chłodniczego. Zawiera on propan (R290), gaz ziemny o wysokim poziomie ekologiczności. Gaz ten jest łatwopalny.

Jeśli obieg czynnika chłodniczego ulegnie uszkodzeniu, należy upewnić się, że w pomieszczeniu nie ma płomieni ani źródeł zapłonu. Przewietrzyć pomieszczenie.

W pobliżu urządzenia lub na nim nie wolno umieszczać produktów lub

przedmiotów łatwopalnych, które są zwilżone produktami łatwopalnymi.

Utylizacja

OSTRZEŻENIE



Niebezpieczeństwo odniesienia obrażeń.

Odłączyć urządzenie od zasilania sieciowego.

Odłączyć kabel sieciowy i wyrzucić go. Obieg czynnika chłodniczego

urządzenia jest przyjazny dla warstwy ozonowej. Aby uzyskać informacje na temat prawidłowego wyrzucania urządzenia,

skontaktować się z władzami miasta. Nie wolno dopuścić do uszkodzenia

części zespołu chłodzenia urządzenia położonej przy wymienniku ciepła.

PRZYGOTOWANIE OSUSZACZA DO MONTAŻU

WAŻNE:

2. Instalowanie

PRZED PIERWSZYM UŻYCIEM

Przed użyciem pozostawić urządzenie na 4 godziny
Wybór lokalizacji

Ważne

1. Osuszacz należy użytkować w pomieszczeniu, aby zapewnić największą skuteczność jego działania.

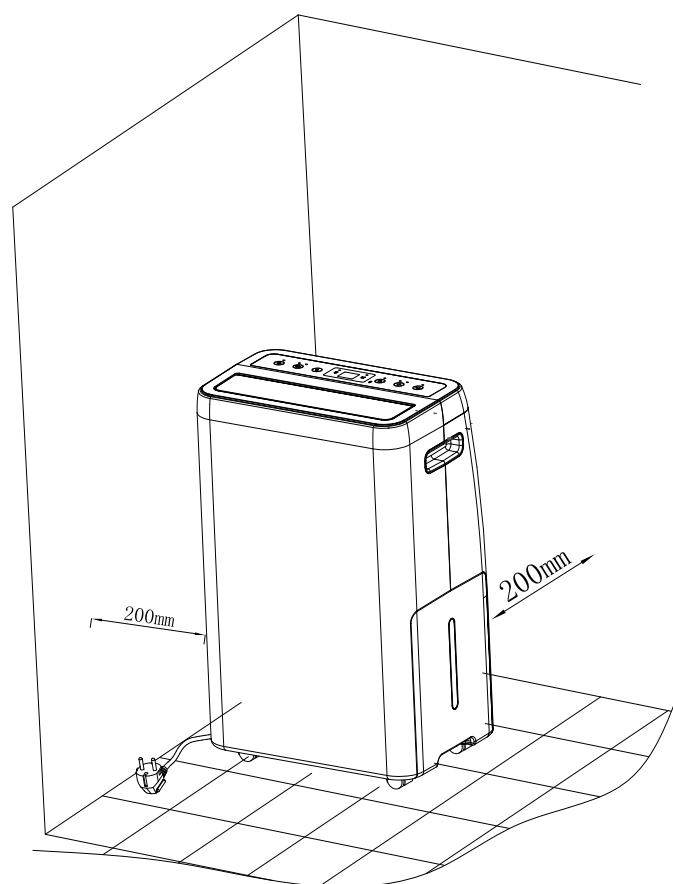
Zamknąć wszystkie drzwi, okna i inne otwory zewnętrzne pomieszczenia. Skuteczność osuszacza zależy od szybkości wprowadzania wilgotnego powietrza do pomieszczenia.

2. Osuszacz należy umieścić w miejscu, które nie ogranicza przepływu powietrza przez przednią część urządzenia.

3. Osuszacz działający w pomieszczeniu będzie miał niewielki lub żaden wpływ na osuszenie sąsiedniego zamkniętego obszaru składowania, takiego jak szafa, chyba że istnieje odpowiedni obieg powietrza do i z tego obszaru. Może być konieczne zainstalowanie drugiego osuszacza w zamkniętym obszarze dla zapewnienia zadowalającego efektu suszenia.

4. Urządzenie należy ustawić na stabilnym, płaskim podłożu. Jeśli powierzchnia jest niestabilna, istnieje ryzyko, że urządzenie może być niestabilne, co może spowodować nadmierne wibracje i wyciek wody.

5. Należy zapewnić co najmniej 20 cm wolnej przestrzeni wokół osuszacza.



OPIS PRODUKTU

3. Opis produktu

A

1. Uchwyt
2. Panel sterowania
3. Pokrywa górna
4. Funkcja samoczynnego kołysania
5. Przednia obudowa

B

1. Płyta powietrzna
2. Port do spustu ciągłego
3. Przewód zasilający
4. Tylna obudowa
5. Zbiornik na wodę

C

1. Panel sterowania

D

Obraz D (Obraz symboli na panelu sterowania)

1. Przycisk zasilania: Ten przycisk może sterować włączaniem / wyłączeniem urządzenia.
2. Przycisk trybu: Ten przycisk może ustawić urządzenie do pracy w trybie osuszania lub w trybie osuszania. (W trybie osuszania osusza w sposób ciągły przy najwyższej prędkości)
3. Przycisk wilgotności: W trybie osuszania przycisk ten może ustawić inną pożądaną wilgotność, a zakres wynosi 50-55-60-65-70-Co-40-45-50-55-60-65-70% RH.
4. Przycisk timera: Jeśli wciśniesz ten przycisk przez <0,5 sekundy, możesz ustawić funkcję wyłączenia timera 0H / 1H / 2H / 3H / 4H / 5H / 6H / 7H / 8H, aby uruchomić odliczanie.
5. Przycisk prędkości wentylatora: Ten przycisk pozwala ustawić maszynę na pracę przy niskiej lub wysokiej prędkości.
6. Przycisk kołysania: Ten przycisk pozwala ustawić maszynę na automatyczne kołysanie lub nie.
7. Odszranianie aktywne
8. Wiadro z wodą pełne

9. Zabezpieczenie przed dziećmi: Naciśnięcie przycisku timera przez 3 sekundy może włączyć lub wyłączyć funkcję zabezpieczenia przed dziećmi. Podczas funkcji blokady rodzicielskiej można ustawić tylko przyciski czasowe i włączania / wyłączania. Wystarczy nacisnąć ten przycisk jeszcze przez 3 sekundy, aby wyłączyć funkcję blokady rodzicielskiej.

E

1. GÓRA I PRZYCISK Naszkicuj na górze i pod maszyną

F

Panel sterowania

1. Należy zapewnić co najmniej 20 cm wolnej przestrzeni wokół osuszacza.

UMIEJSCOWIENIE OSUSZACZA

- Osuszacz nie należy umieszczać zbyt blisko kaloryferów, innego rodzaju źródeł ciepła lub w miejscach wystawionych na bezpośrednie działanie promieni słonecznych, ponieważ obniża to jego wydajność.



- Najlepiej kiedy osuszacz zostaje umieszczony na środku pokoju/pomieszczenia.

UWAGA: Przy używaniu osuszacza w łazience należy ustawić go w jednym stałym miejscu i nie przenosić go. Przed użyciem osuszacza w łazience należy sprawdzić i zastosować się do lokalnych przepisów dotyczących używania sprzętu elektrycznego w łazienkach.

KORZYSTANIE Z OSUSZACZA

Jeśli osuszacz jest transportowany poziomo, należy odstawić go na 4 godziny przed użyciem. Bardzo ważne jest, aby olej spłynął z powrotem do kompresora, ponieważ osuszacz może ulec poważnemu uszkodzeniu.

1. Sprawdź, czy zbiornik wody został prawidłowo umieszczony.
2. Należy podłączyć osuszacz do uziemionego źródła prądu.
3. Ustawić żądany poziom wilgotności za pomocą regulatora wilgotności. Patrz rozdział dotyczący kontroli wilgotności powietrza.



UWAGA: Wilgotność względną otoczenia można łatwo zmierzyć za pomocą osuszacza.

INSTRUKCJA OBSŁUGI

1. Przycisk zasilania: umożliwia sterowanie włączaniem i wyłączaniem urządzenia.
2. Przycisk wilgotności: umożliwia ustawienie żadanego poziomu wilgotności. Aby ustawić żadaną wilgotność, naciśnij przycisk Wilgotność przez 5s, pokazuje temperaturę otoczenia (0 ~ 40 °C) przez 5s; jeśli naciśniesz i przytrzymasz przycisk Wilgotność, cały czas pokazuje temperaturę otoczenia. Jeśli nie naciśniesz ponownie, automatycznie pokazuje

temperaturę czujnika NTC przez 5 sekund, a następnie pokazuje wilgotność otoczenia.

3. Ustawienia wilgotności: Otwórz wilgotność powietrza ustawioną pomiędzy 40%, 50%, 60% lub tryb ciągły.
4. Timer: Gdy urządzenie jest włączone, naciśnij Timer 2H / 4H / 6H, aby uruchomić odliczanie.
5. podczas pracy pokazuje wilgotność otoczenia od 30,31,32 ... 79,80. Jeśli jest < . 30% RH, pokazuje LO; jeśli jest > 80% RH,
6. W trybie osuszania można ustawić 2 poziomy wilgotności i prędkości wentylatora

FUNKCJA PAMIĘCI

1. Naciśnij przycisk wł. / Wył. (Podłączony do gniazdka elektrycznego), a następnie ponownie naciśnij przycisk wł. / Wył., Działa po poprzednich ustawieniach, ale funkcja timera i blokady rodzicielskiej nie ma pamięci.
2. Brak zasilania, gdy działanie równa się natychmiastowemu odłączeniu, urządzenie działa automatycznie, gdy jest zasilanie i zapamiętuje poprzednie ustawienie, ale funkcja blokady rodzicielskiej nie ma pamięci.
3. Urządzenie automatycznie włączy się i będzie działać w ostatnim ustawieniu po powrocie zasilania. Działa przy początkowych ustawieniach domyślnych w trybie osuszania i działa przy ustawieniu wilgotności o 50% RH przy dużej prędkości.

KONTROLA WILGOTNOŚCI

Osuszacz Wood's wyposażony jest w wbudowaną regulację wilgotności, która jest ustawiana na żądany poziom wilgotności. Sterowanie rejestruje aktualny poziom wilgotności i zapewnia automatyczne włączanie i wyłączanie osuszacza.

ODPROWADZANIE WODY

Gdy zbiornik wody jest pełny, osuszacz automatycznie się wyłącza. Po opróżnieniu zbiornika na wodę następuje automatycznie ponowne uruchomienie urządzenia.

1. Odłączyć osuszacz od źródła zasilania.
2. Opróżnić zbiornik z wody.
3. Wsunąć pusty zbiornik z powrotem w urządzenie i sprawdzić, czy pływak swobodnie przemieszcza się w

zbiorniku.

4. Należy podłączyć osuszacz do źródła prądu.

Bezpośrednie odprowadzanie wody
Przyłączyć przewód giętki wody do przewodu rurowego z tyłu osuszacza. Drugi koniec przewodu giętkiego umieścić w odpływie. Należy się upewnić, że woda może spływać.

FILTR POWIETRZA

Filtr powietrza zapobiega przedostawianiu się pyłu i kurzu do wnętrza urządzenia, a tym samym zwiększa jego trwałość eksploatacyjną. Ważne jest regularne oczyszczanie filtra. Oczyszczanie filtra:

1. Wyciągnąć filtr.
2. Umyć go ciepłą wodą i łagodnym środkiem czyszczącym. Można też czyścić filtr odkurzaczem.
3. Pozostawić filtr do wyschnięcia, a następnie włożyć go z powrotem do urządzenia.

ODSZRANIANIE

W trakcie odszraniania może nastąpić tymczasowe przerwanie działania funkcji osuszania.

Podczas odszraniania nie należy wyłączać przełącznika ani wyciągać wtyczki osuszacza. Osuszacz nie nadaje się do utrzymywania ekstremalnie niskiej temperatury.

Zadaniem osuszacza jest codzienne usuwanie nadmiernej wilgotności powietrza oraz osuszanie mokrych rzeczy. Nie można go jednak używać do utrzymania ekstremalnie niskiej temperatury.

Podczas pracy osuszacza temperatura w pomieszczeniu wzrasta.

Osuszacz nie ma funkcji chłodzenia. Wytwarza ciepło podczas pracy i może zwiększyć temperaturę w pomieszczeniu o 1-4°C. Ponadto temperatura w pomieszczeniu z zamkniętymi drzwiami i oknami wzrasta, zwłaszcza gdy znajdują się w nim inne urządzenia wydzielające ciepło. Również promienie słoneczne mogą podnieść temperaturę w pomieszczeniu.

KONSERWACJA I CZYSZCZENIE

1. Ponieważ obudowa jest wykonana z tworzywa sztucznego, nie należy wystawiać jej na bezpośrednie działanie promieni słonecznych.
2. Ostrożnie wyjmij zbiornik na wodę.
3. Jeśli nie korzystasz z urządzenia przez długi czas. Wyłącz i odłącz urządzenie od zasilania, opróżnij zbiornik na wodę, przechowuj w suchym i przewiewnym miejscu. Do wszystkich celów czyszczenia używaj tylko miękkiej, czystej szmatki. Nie używaj benzyny, rozcieńczalników ani innych chemikaliów do czyszczenia urządzenia.
4. Czyszczenie filtra sieciowego: Wyjmij filtr odkurzaczem lub wodą do czyszczenia, a następnie umieść go w wentylowanym miejscu, aż wyschnie.

OBSŁUGA SERWISOWA

Jeśli osuszacz wymaga serwisowania, należy skontaktować się z lokalnym sprzedawcą. Przy składaniu roszczenia

gwarancyjnego zawsze wymagany jest dowód zakupu.

PRZECHOWYWANIE

Przed odstawieniem urządzenia do przechowywania należy postępować zgodnie z poniższymi wskazówkami:

1. Upewnić się, że zbiornik na wodę jest pusty. Gdy urządzenie jest włączone, należy upewnić się, że działa w trybie wentylacji przez co najmniej 30 minut, aby odprowadzić wodę zgromadzoną wewnątrz urządzenia.
2. Zebrać i złożyć przewód zasilający.
3. Wyczyścić filtr.
4. Przechowywać w czystym i suchym miejscu.

Przy składaniu roszczenia gwarancyjnego zawsze wymagany jest dowód zakupu.

WSKAZÓWKI

Gdy osuszacz używany jest w środowiskach ekstremalnie wilgotnych lub gdy temperatura jest niższa niż +5°C, urządzenie może przestać działać. Na

wężownicy chłodzącej gromadzi się duża ilość lodu. Wyłączyć osuszacz i umieścić go nieco powyżej poziomu podłogi, umożliwiając topienie się lodu.

Czasami warto użyć osłony przeciwmrozowej lub wentylatora nagrzewnicy, aby temperatura nie spadła poniżej +10°C. Mimo że model MRD20/14 może pracować nawet przy temperaturze do +5°C, to jego wydajność wzrasta w wyższej temperaturze, ponieważ ciepłe powietrze zawiera więcej wody.

Hydrostat ma margines błędów około +/- 5–10%. W niższej temperaturze margines błędów może być wyższy.

W celu uzyskania maksymalnej wydajności osuszania w pomieszczeniu zaleca się minimalizację nawiewu powietrza z zewnątrz i z sąsiednich pomieszczeń — należy zamykać drzwi i nawiewniki.

Należy spodziewać się większej wydajności osuszania jesienią/latem, kiedy powietrze na zewnątrz jest cieplejsze i wilgotniejsze.

WAŻNE! Osuszacze firmy Wood's należy podłączać do uziemionego źródła zasilania. Źródło zasilania powinno mieć następujące parametry: 220–240 V, 50 Hz

PROBLEM	PRZYCZYNA	ROZWIĄZANIE
Osuszacz nie działa.	Brak podłączonego zasilania.	Sprawdzić, czy osuszacz jest podłączony do źródła zasilania i sprawdzić bezpieczniki. Sprawdzić, czy zbiornik wody jest pusty i prawidłowo umieszczony w osuszaczu.
Osuszacz nie usuwa wilgoci.	Pojemnik na wodę jest pełny. Pojemnik na wodę nie został prawidłowo włożony na miejsce. Filtr powietrza jest zatkany. Za niska temperatura lub wilgotność względna w pomieszczeniu, w którym pracuje urządzenie.	Wylać wodę z pojemnika. Umieścić pojemnik na wodę we właściwym położeniu. Oczyścić filtr powietrza. Sprawdzić, czy strumień powietrza może swobodnie przepływać przez osuszacz. Sprawdzić, czy przednia kratka i filtr powietrza są czyste, a osuszacz znajduje się 20 cm od ściany.
Osuszacz działa, ale niewystarczająco zmniejsza wilgotność względną.	Pomieszczenie jest za duże. Istnieje zbyt wiele źródeł wilgoci. Występuje za duża wentylacja.	Zalecamy zastosowanie osuszacza o większej wydajności. Zalecamy zastosowanie osuszacza o większej wydajności. Zmniejszyć poziom wentylacji (np. zamknąć okna i drzwi).

W razie problemów z osuszaczem należy odwoływać się do poniższych opisów problemów. Jeśli poniższe wskazówki nie rozwiążą problemu, należy skontaktować się ze sprzedawcą w celu zapewnienia serwisowania produktu.

Gwarancje

2 lata gwarancji konsumenckiej na wady produkcyjne. Należy pamiętać, że gwarancja obowiązuje tylko pod warunkiem okazania dowodu zakupu. Gwarancja obowiązuje tylko w przypadku, gdy produkt jest używany zgodnie z instrukcją i ostrzeżeniami dotyczącymi bezpieczeństwa zawartymi w niniejszej instrukcji. Gwarancja nie obejmuje uszkodzeń spowodowanych niewłaściwą obsługą produktu.

UWAGA: 2-letnia gwarancja dotyczy wyłącznie klientów indywidualnych — nie ma zastosowania do użytku komercyjnego.



UWAGA!

Dokonaj rejestracji produktu na stronie www.warranty-woods.com – stamtąd też dowiesz się, jak uzyskać gwarancję rozszerzoną. Więcej informacji znajdziesz na stronie www.woods.se.

Zalecane warunki graniczne eksploatacji

Temp. od +5°C do +35°C
 Wilgotność względna: od 30% do 90%
 Zalecany poziom wilgotności: około 50% (wilgotność względna)

DANE TECHNICZNE

	MRD20
Maks. obszar działania	70 m ²
Przepływ powietrza	175m ³ /h±10%
Osuszanie w temp. 35°C i przy 80% wilgotności względnej.	21,1 l / 24 godz.
Zużycie energii w temp. 35°C i przy 80% wilgotności względnej.	315 W±10%
Pojemność zbiornika	3,8 l
Ilość czynnika chłodniczego	R290
Ładunek czynnika chłodniczego R290	60 g
Napięcie	220–240 V
Poziom hałasu, w decybelach	48 dB
Masa	15,5 kg
Wymiary, w milimetrach (dł. × szer. × wys.)	355x252x567

	MRD25
Maks. obszar działania	120 m ²
Przepływ powietrza	180m ³ /h±10%
Osuszanie w temp. 35°C i przy 80% wilgotności względnej.	25l / 24 godz.
Zużycie energii w temp. 35°C i przy 80% wilgotności względnej.	414 W±10%
Pojemność zbiornika	3,8 l
Ilość czynnika chłodniczego	R290
Ładunek czynnika chłodniczego R290	85 g
Napięcie	220–240 V
Poziom hałasu, w decybelach	48 dB
Masa	16 kg
Wymiary, w milimetrach (dł. × szer. × wys.)	355x252x567

* Mogą nastąpić zmiany i udoskonalenia techniczne. Wszystkie wartości są podane w przybliżeniu i mogą różnić się w zależności od warunków zewnętrznych, takich jak temperatura, wentylacja i wilgotność.



*To oznakowanie wskazuje, że produkt nie powinien być usuwany z innymi odpadami komunalnymi na terenie UE. Dla zapobieżenia ewentualnym szkodom dla środowiska lub zdrowia ludzkiego na skutek niekontrolowanej utylizacji odpadów, urządzenie należy poddać recyklingowi w sposób odpowiedzialny, tak żeby umożliwić ponowne wykorzystanie materiałów. Aby zwrócić urządzenie, należy skorzystać z systemu zwrotu/ odbioru albo skontaktować się ze sprzedawcą, u którego produkt został kupiony. Może on przyjąć ten produkt, aby poddać go bezpiecznemu recyklingowi.

WOOD'S, CELE MAI UTILIZATE DEZUMIDIFICATOARE DIN LUME

Dezumidificatoarele Wood's sunt cunoscute ca lider pe piață de mai mulți ani. Aceste dezumidificatoare se pot folosi chiar și în zonele cu climă dificilă, capacitatea fiind foarte bună la diferite temperaturi și umidități. Acestea sunt folosite cu rezultate bune în spații cu umezeală, cum ar fi pivnițele, garajele sau casele de vacanță. Acestea sunt, de asemenea, excelente pentru uscarea rufelor spălate, mansardelor, încăperilor pentru sport și a spălătorilor. Sunt eficiente și au un consum redus de energie. Nu umezează hainele.

Cantitatea de umiditate pe care o îndepărtează dezumidicatorul depinde de temperatură, umiditate și amplasare. Și condițiile meteorologice externe pot afecta performanțele dezumidicatorului. Dezumidificatoarele Wood's sunt sigure în funcționare și sunt destinate utilizării îndelungate, timp de mulți ani.

UMIDITATEA EXCESIVĂ A AERULUI REPREZINTĂ UN PERICOL

Condensarea are loc atunci când vaporii de apă din aer intră în contact cu o suprafață rece, cum ar fi o fereastră sau un perete rece. Când se răcesc vaporii de apă, se produce condens și se formează picături de apă. În condiții de umiditate ridicată a aerului, aerul poate deveni murdar și se poate forma mucegaiul, cauzând deteriorarea locuințelor și a mobilierului din acestea. Acest mediu poate duce chiar la îmbolnăvirea locuitorilor. Într-un mediu umed, de asemenea, se dezvoltă acarienii și păianjenii. Un dezumidicator cu performanțe ridicate creează un nivel de umiditate bun, sănătos. Pentru eficiență mai mare, ușile și ferestrele încăperilor în care se face dezumidificarea trebuie să rămână închise. Elimină mirosurile, usucă lemnul și îndepărtează umezeala din echipamentele destinate petrecerii timpului în aer liber.

1. AVERTIZĂRI DE SIGURANȚĂ



Substanță inflamabilă. Acest aparat conține R290/Propan, un agent frigorific inflamabil.



Pentru informații despre siguranță, consultați acest manual.



Citiți manualul tehnic



Citiți manualul operatorului.

INFORMAȚII PRIVIND SIGURANȚA

Înainte de instalarea și utilizarea dispozitivului, citiți cu atenție instrucțiunile furnizate. Producătorul nu va fi responsabil dacă instalarea și utilizarea incorectă va cauza vătămări și daune. Mențineți întotdeauna instrucțiunile împreună cu dispozitivul pentru referință ulterioară.

Siguranța copiilor și a persoanelor vulnerabile

AVERTIZARE



Pericol de vătămare sau handicap permanent.

Acest aparat poate fi utilizat de copiii de cel puțin 8 ani și de persoanele cu capacități fizice, senzoriale sau mentale reduse ori lipsite de experiență și cunoștințe, cu condiția să fie supravegheate sau instruite cu privire la utilizarea aparatului în condiții de siguranță și să înțeleagă pericolele implicate. Nu lăsați copiii să se joace cu dispozitivul.

Copiii cu vârsta mai mică de 3 ani ar trebui să fie ținuti la distanță, cu excepția cazului în care sunt supravegheați în continuu.

Păstrați toate ambalajele departe de copii.

Curățarea și întreținerea de către utilizator nu trebuie efectuate de copii nesupravegheați.

Siguranță generală

Acest aparat este destinat utilizării în mediu casnic și alte medii similare, cum ar fi: – subsoluri, spații între planșeu și sol; bucătării din magazine, birouri și alte medii de lucru. Plăcuța indicatoare este amplasată pe spatele dezumidicatorului sau pe partea laterală a acestuia.

Păstrați zonele de refulare/evacuare aer libere.

Nu utilizați dispozitive mecanice sau alte mijloace pentru accelerarea procesului de dezghețare, altele decât cele recomandate de producător.

Aparatul nu se va depozita într-o încăpăre cu surse de aprindere în funcțiune (de exemplu, flăcări deschise, aparate cu gaz sau încălzitoare electrice în funcțiune). Nu străpungeți aparatul și nu-i dați foc.

Atenție: agenții frigorifici nu conțin mirosuri. Nu folosiți pulverizare cu apă și aburi pentru a curăța dispozitivul. Curățați dispozitivul cu o cârpă moale umedă. Utilizați numai detergenți neutri. Nu folosiți produse abrazive, substanțe abrazive de curățare, solvenți sau obiecte metalice.

Dacă este deteriorat cablul de alimentare, acesta trebuie înlocuit de către producător, centrul autorizat de deservire sau persoane calificate în mod similar, pentru a evita pericolul.

INSTRUCȚIUNI DE SIGURANȚĂ**Instalare****AVERTIZARE**

Acest aparat trebuie să fie instalat de o persoană calificată.

Îndepărtați toate materialele de ambalare.

Nu instalați și nu folosiți aparatul dacă este deteriorat. Aparatul trebuie să fie instalat, utilizat și depozitat într-o încăpere cu o suprafață utilă de peste 2 m².

Respectați instrucțiunile de instalare furnizate cu aparatul.

Aveți întotdeauna grijă atunci când mutați dispozitivul, deoarece acesta este greu. Purtați întotdeauna mănuși de protecție.

Asigurați-vă că în jurul dispozitivului poate circula aerul.

Așteptați cel puțin 4 ore înainte de a conecta dispozitivul la sursa de alimentare. Acest lucru permite uleiului să curgă înapoi în compresor.

Nu instalați dispozitivul în apropierea radiatoarelor sau a altor surse de căldură.

Nu instalați aparatul în bătaia directă a razelor soarelui.

Conexiune electrică**AVERTIZARE**

Pericol de incendiu și de electrocutare.

Aparatul trebuie să fie conectat la o priză cu împământare.

Asigurați-vă că sursa de curent respectă specificațiile electrice de pe plăcuța indicatoare. În caz contrar, contactați un electrician.

Utilizați întotdeauna o priză rezistentă împotriva șocurilor instalată corect.

Nu utilizați adaptoare pentru multiple ștecheri și cabluri prelungitoare.

Asigurați-vă că nu deteriorați componentele electrice (de ex.

ștecher de alimentare, cablul de alimentare).

Contactați centrul autorizat de deservire sau un electrician pentru a schimba componentele electrice. Cablul de alimentare trebuie să fie sub nivelul ștecherului de alimentare.

Conectați ștecherul de alimentare la priza electrică numai la sfârșitul instalării.

Asigurați-vă că există acces la ștecherul de rețea după instalare. Nu trageți cablul de alimentare pentru a deconecta dispozitivul. Trageți întotdeauna de ștecherul de alimentare.

Utilizare**AVERTIZARE**

Pericol de vătămare, arsuri, electrocutare sau incendiu.

Nu modificați caracteristicile tehnice ale acestui dispozitiv.

Aveți grijă să nu provocați deteriorarea circuitului de agent frigorific. Acesta conține propan (R290), un gaz natural cu un nivel ridicat de compatibilitate cu mediul. Acest gaz este inflamabil.

Dacă s-a deteriorat circuitul de agent frigorific, asigurați-vă că în încăpere nu sunt flăcări și surse de aprindere. Ventilați încăperea.

Nu plasați produse inflamabile sau obiecte umezite cu produse inflamabile lângă dispozitiv sau pe acesta.

Eliminare**AVERTIZARE**

Pericol de vătămare.

Deconectați aparatul de la rețeaua de alimentare.

Tăiați cablul de alimentare și aruncați-l. Circuitul de agent frigorific al acestui dispozitiv este

prietenos cu stratul de ozon. Contactați autoritatea locală pentru a obține informații despre modul în care să aruncați corect dispozitivul. Aveți grijă să nu deteriorați partea unității de răcire aflată în apropierea schimbătorului de căldură.

PREGĂTIREA DEZUMIDIFICATORULUI PENTRU INSTALARE

IMPORTANT:

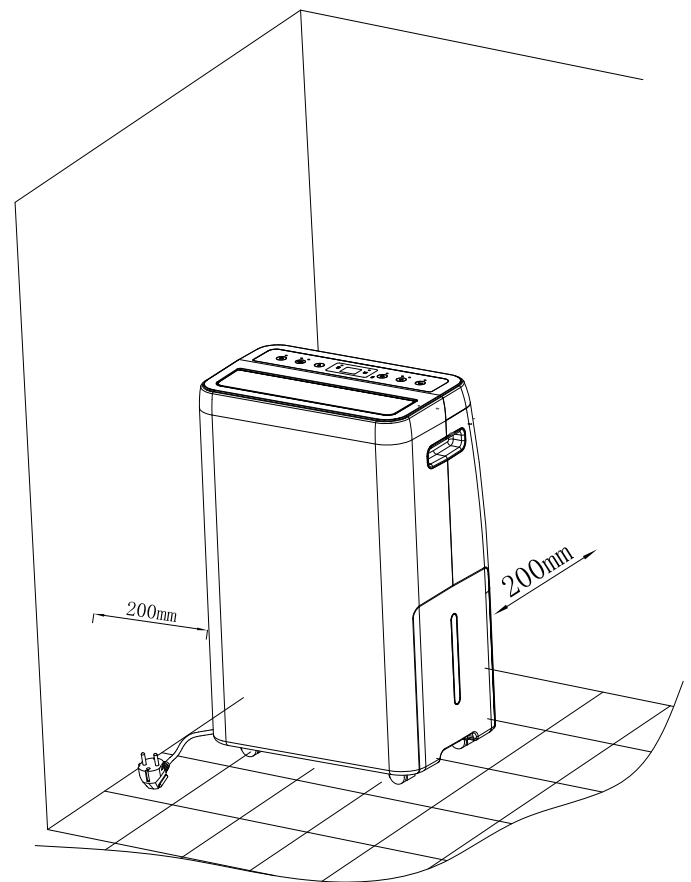
2. Instalare

ÎNAINTE DE PRIMA UTILIZARE

Înainte de utilizare lăsați aparatul în poziție verticală timp de 4 ore
Alegerea locului

Important

1. Pentru a funcționa cu randament optim, dezumidificatorul trebuie utilizat în interior. Închideți toate ușile, ferestrele și celelalte deschideri ale încăperii. Randamentul dezumidificatorului depinde de debitul cu care intră aerul umed în încăpere.
2. Așezați dezumidificatorul astfel încât aerul să circule liber prin partea frontală.
3. Funcționarea unui dezumidificator într-o încăpere nu influențează semnificativ uscarea unui spațiu de depozitare închis adiacent, cum ar fi un dulap, decât dacă aerul circulă liber spre și dinspre zonă. Este posibil să nu puteți obține efectul de uscare dorit decât instalând un al doilea dezumidificator.
4. Asigurați-vă că unitatea este montată pe o suprafață plană și stabilă. Dacă suprafața nu este stabilă există riscul ca unitatea să fie instabilă și să provoace vibrații excesive și să elibereze apă.
5. În jurul dezumidificatorului trebuie să rămână spațiu de cel puțin 20 cm.



DESCRIEREA PRODUSULUI

3. Descrierea produsului

A

1. Mâner
2. Panou de comandă
3. Capac superior
4. Funcție de baleiere
5. Carcasă frontală

B

1. Plăcuță de aer
2. Tub de drenaj continuu
3. Cablu de alimentare
4. Carcasă spate
5. Rezervor de apă

C

1. Panou de comandă

D Picture D (Imagine a simbolurilor de pe panoul de control)

1. Buton de pornire: Acest buton poate controla / opri mașina.
2. Butonul Mode: Acest buton poate seta mașina să funcționeze în modul uscat sau în modul de dezumidificare.
3. Butonul de umiditate: în timpul modului de dezumidificare, acest buton poate seta diferite umidități dorite, iar intervalul este 50-55-60-65-70-Co-40-45-50-55-60-65-70% RH.
4. Buton Cronometru: În timpul funcționării, dacă apăsați acest buton pentru <0,5 secunde, acesta poate seta funcția de cronometrare 0H / 1H / 2H / 3H / 4H / 5H / 6H / 7H / 8H pentru a opera o numărătoare inversă.
5. Butonul vitezei ventilatorului: Acest buton poate seta mașina să funcționeze la viteză mică sau mare.
6. Buton basculant: Acest buton poate seta mașina să se basculeze sau să nu se balanseze automat.
7. Decongelare activă
8. Găleată cu apă plină

9. Blocare copii: Dacă apăsați butonul cronometru timp de 3 secunde, acesta poate seta funcția de blocare a copilului activată sau dezactivată. În timpul funcției de blocare a copilului, se pot seta numai butoanele de timp și de pornire / oprire. Apăsați din nou acest buton timp de 3 secunde pentru a opri funcția de blocare a copiilor.

E

1. TOP ȘI BUTON Schițează partea de sus și dedesubtul mașinii

F

Panou de comandă

1. În jurul dezumidicatorului trebuie să rămână spațiu de cel puțin 20 cm.

AMPLASAREA DEZUMIDIFICATORULUI

- Dezumidificatorul nu trebuie plasat în apropierea radiatoarelor sau a altor surse de căldură sau expus la lumina directă a soarelui, deoarece se va reduce performanța acestuia.



- Ideal este să îl amplasați în centrul încăperii / zonei.

OBSERVAȚIE: Dacă amplasați dezumidificatorul în baie, acesta trebuie fixat în poziție. Înainte de utilizare, este obligatoriu să verificați și să respectați reglementările electrice locale referitoare la băi.

UTILIZAREA DEZUMIDIFICATORULUI

Dacă a fost transportat pe orizontală, dezumidificatorul trebuie ținut în poziție verticală timp de 4 ore înainte punerea în funcțiune. Este foarte important ca uleiul să revină în compresor, altfel dezumidificatorul se poate deteriora grav.

1. Verificați dacă rezervorul de apă este așezat corect.
2. Conectați dezumidificatorul la o sursă de alimentare cu împământare.
3. Setări nivelul dorit de umiditate prin intermediul controlului de umiditate. Consultați secțiunea privind controlul umidității.



OBSERVAȚIE: Umiditatea relativă ambientală se poate măsura simplu cu dezumidificatorul.

MANUAL DE UTILIZARE

1. Buton de pornire: acest buton servește la pornirea, respectiv la oprirea aparatului.
2. Buton de umiditate: servește la setarea umidității dorite. Pentru a seta umiditatea dorită, apăsați butonul Umiditate timp de 5 secunde, arată temperatura ambiantă (0 ~ 40 ° C) timp de 5 secunde; dacă apăsați și mențineți apăsat butonul Umiditate, acesta arată temperatura mediului tot timpul. Dacă nu apăsați din nou, acesta arată automat temperatura senzorului NTC timp de 5 secunde, apoi arată umiditatea mediului.
3. Setări umiditate: Deschideți regimul de

- ieșire a aerului umiditatea între 40%, 50%, 60% sau modul continuu.
4. Cronometru: Când aparatul este pornit, apăsați Temporizatorul 2H / 4H / 6H pentru a opera o numărătoare inversă.
 5. În timpul funcționării, acesta arată umiditatea ambientală de la 30,31,32 ... 79,80. Dacă este < . 30% HR, arată LO; dacă este > 80% HR,
 6. Modul de dezumidificare puteți seta nivelul de umiditate și viteza ventilatorului 2 niveluri

FUNCȚIA DE MEMORIE

1. Apăsați butonul on / off (priză de alimentare înot) și apoi apăsați din nou butonul on / off, funcționează după setarea anterioară, dar funcția de temporizare și de blocare a copiilor nu are memorie.
2. Nicio putere atunci când operația este egală cu a opri dintr-o dată mașina funcționează automat atunci când există putere și își amintește setarea anterioară, dar funcția de blocare pentru copii nu are memorie.
3. Unitatea se va porni automat și va funcționa în ultima setare după revenirea puterii. Funcționează sub setarea inițială implicită în timpul modului de dezumidificare și funcționează în condiții de umiditate cu 50% RH la viteză mare.

CONTROLUL UMIDITĂȚII

Dezumidificatorul Wood's este prevăzut cu un sistem de control al umidității încorporat, care este setat la nivelul dorit de umiditate. Sistemul de control înregistrează nivelul actual de umiditate și asigură că dezumidificatorul este pornit și oprit în mod automat.

DRENAREA APEI

Când rezervorul de apă este plin, dezumidificatorul se oprește automat. După golirea rezervorului de apă aparatul repornește automat.

1. Deconectați dezumidificatorul de la sursa de alimentare.
2. Goliți rezervorul de apă.
3. Puneți înapoi rezervorul de apă gol și verificați dacă plutitorul se mișcă liber.
4. Conectați dezumidificatorul la sursa de alimentare.

Drenarea directă a apei
Racordați un furtun de apă la ștuțul din spatele dezumidificatorului. Racordați

celălalt capăt al furtunului la canalizare. Asigurați-vă că apa se poate scurge în jos.

FILTRU DE AER

Filtrul de aer împiedică pătrunderea în aparat a prafului și a murdăriei, pentru a-i prelungi durata de funcționare. Este important să curățați filtrul la intervale regulate. Curățarea filtrului:

1. Scoateți filtrul.
2. Spălați-l cu apă caldă și agent de curățare delicat. Alternativă: filtrul se poate curăța cu aspiratorul.
3. Așteptați până când se usucă, apoi puneți-l la loc.

FUNCȚIA DE DEZGHEȚARE

Este posibil ca funcția de dezumidificare să fie intermitentă în timpul dezghețării.

Nu opriți dezumidificatorul cu butonul și nu îl scoateți din priză în timpul dezghețării. Acest dezumidificator nu poate fi folosit pentru păstrarea unei temperaturi extrem de mici.

Acest dezumidificator este destinat eliminării umidității ridicate care este supărătoare în viața de zi cu zi, precum și uscării obiectelor ude. Cu toate acestea, nu poate fi folosit pentru a menține o temperatură extrem de mică.

În timpul funcționării aparatului temperatura din încăperea crește.

Acest dezumidificator nu are funcție de răcire. Degajează căldură în timpul funcționării și poate crește temperatura în încăperea cu 1 - 4 ° C. În plus, ușa și ferestrele fiind închise, și celelalte aparate din încăperea pot contribui la creșterea temperaturii, iar razele soarelui pot avea același efect.

ÎNTREȚINERE ȘI CURĂȚARE

Deoarece cazul este din plastic, nu-l așezați în lumina directă a soarelui.

1. Scoateți cu grijă rezervorul de apă.
2. Dacă nu utilizați dispozitivul mult timp. Opriți și deconectați aparatul, goliți rezervorul de apă, depozitați-l într-un loc uscat și ventilat. Folosiți numai o cârpă moale, curată pentru toate scopurile de curățare. Nu folosiți benzină, diluanți pentru vopsea sau alte substanțe chimice pentru a curăța unitatea.
3. Curățarea filtrului de alimentare: îndepărtați filtrul cu un aspirator sau apă pentru curățat, apoi puneți-l într-un loc ventilat până când este uscat.

SERVICE

Dacă se impune o intervenție de service asupra dezumidicatorului, contactați întâi distribuitorul local. Cererile în garanție trebuie să fie însoțite de dovada

achiziției.

DEPOZITARE

Parcurgeți pașii de mai jos înainte de a depozita aparatul:

1. Asigurați-vă că rezervorul de apă este gol. Cu aparatul pornit, asigurați-vă că este în modul Ventilare și țineți-l în funcțiune cel puțin 30 de minute pentru a elimina apar din interior.
2. Strângeți și legați cablul de alimentare.
3. Curățați filtrul.
4. Depozitați într-un mediu curat și uscat.

Cererile în garanție trebuie să fie însoțite de dovada achiziției.

SUGESTII

Dacă utilizați dezumidicatorul în medii extrem de umede sau la temperaturi sub +5 °C, este posibil ca acesta să înceteze să funcționeze. În spiralele de răcire se

acumulează o cantitate mare de gheață. Opriți dezumidicatorul și ridicați-l un pic deasupra podelei, până când se topește gheața.

Uneori poate fi util să utilizați un dispozitiv de protecție împotriva înghețului sau un ventilator de încălzire pentru a vă asigura că temperatura nu scade sub +10 °C. Chiar dacă MRD20/14 funcționează la temperaturi de până la +5 °C, capacitatea crește la temperaturi mai ridicate, întrucât aerul cald ține mai multă apă.

Hidrostatul are o marjă de eroare de aproximativ +/- 5-10%. La temperaturi mai scăzute marja de eroare crește.

Pentru putere maximă de dezumidificare într-o încăpere, se recomandă să fie redusă la minimum alimentarea cu aer din exterior și din încăperile adiacente – închideți ușile și sistemul de ventilație.

Capacitatea de dezumidificare crește toamna și vara, pentru că aerul din exterior este mai cald și mai umed.

IMPORTANT! - Dezumidificatoarele Wood's trebuie să fie conectate la o sursă de alimentare cu împământare. Sursa de alimentare trebuie să fie de 220 V - 240 V 50 Hz

PROBLEMĂ	CAUZĂ	SOLUȚIE
Dezumidicatorul nu funcționează	Alimentarea nu este conectată	Verificați dacă dezumidicatorul este conectat la electricitate și dacă siguranța nu a ars. Verificați dacă rezervorul de apă este gol și plasat corect în dezumidicator.
Nu dezumidifică	Rezervorul de apă este plin. Rezervorul de apă nu a fost poziționat corect. Filtrul de aer este înfundat. Temperatura sau umiditatea relativă din încăperea în care dispozitivul funcționează este prea mică.	Scoateți apa din recipient. Așezați recipientul de apă în poziția corectă. Curățați filtrul de aer. Verificați dacă aerul poate circula liber prin dezumidicator. Grila din față și filtrul de aer trebuie să fie curate, iar dezumidicatorul trebuie să se afle la 20 cm de perete.
Dezumidicatorul funcționează, dar reduce umiditatea relativă insuficient.	Camera este prea mare. Există prea multe surse de umiditate. Există prea multă ventilație.	Vă recomandăm să utilizați un dezumidicator cu o capacitate mai mare. Vă recomandăm să utilizați un dezumidicator cu o capacitate mai mare. Reduceți ventilația (de exemplu, închideți ușile și ferestrele)
Dacă aveți probleme cu dezumidicatorul, consultați indicațiile de depanare. Dacă niciuna dintre aceste măsuri nu dă rezultate, contactați distribuitorul pentru a solicita o intervenție de service asupra dezumidicatorului.		

Garanții

Consumatorul beneficiază de garanție de 2 ani pentru defectele de producție. Rețineți: garanția este valabilă numai cu prezentarea chitanței. Garanția este valabilă numai dacă produsul este utilizat în conformitate cu instrucțiunile și avertizările de siguranță menționate în acest manual. Garanția nu acoperă deteriorările provocate de manipularea incorectă a produsului.

OBSERVAȚIE: Garanția de 2 ani este valabilă numai în cazul consumatorilor, nu și în cazul utilizării comerciale a aparatului.



OBSERVAȚIE!

Înregistrați-vă la adresa www.warranty-woods.com și aflați cum puteți beneficia de garanție extinsă. Pentru informații suplimentare vizitați www.woods.se.

Limite recomandate pentru utilizare

Temperatură: între +5 °C și +35 °C

Umiditate relativă: de la 30% până la 90%

Nivel de umiditate recomandat:
aproximativ 50% RH

DATE TEHNICE

	MRD20
Zonă max. de lucru	70 m ²
Debit de aer	175m ³ /h±10%
Dezumidificare la 30 °C și umiditate relativă de 80%	21,1 l / 24 h
Putere la 30 °C și umiditate relativă de 80%	315 W±10%
Volumul rezervorului	3,8 litri
Agent frigorific	R290
Cantitate de R290	60 g
Tensiune	220-240 V
Nivel de zgomot în decibeli	48 dB
Greutate	15,5 kg
Dimensiuni în mm, L x l x Î	355x252x567

	MRD25
Zonă max. de lucru	120 m ²
Debit de aer	180m ³ /h±10%
Dezumidificare la 30 °C și umiditate relativă de 80%	25 l / 24 h
Putere la 30 °C și umiditate relativă de 80%	414 W±10%
Volumul rezervorului	3,8 litri
Agent frigorific	R290
Cantitate de R290	85 g
Tensiune	220-240 V
Nivel de zgomot în decibeli	48 dB
Greutate	16 kg
Dimensiuni în mm, L x l x Î	355x252x567

*Pot apărea modificări și îmbunătățiri tehnice. Toate valorile sunt aproximative și pot varia în funcție de circumstanțe exterioare, cum ar fi temperatura, ventilația și umiditatea.



*Acest marcaj indică faptul că produsul nu trebuie eliminat cu alte deșeuri menajere, prevedere valabilă în întreaga UE. Pentru a preveni eventualele prejudicii aduse mediului sau sănătății umane din cauza eliminării necontrolate a deșeurilor, reciclați aparatul în mod responsabil pentru a promova reutilizarea durabilă a resurselor materiale. Pentru a ne returna aparatul, vă rugăm să utilizați sistemele de colectare și returnare sau să contactați distribuitorul de la care a fost achiziționat produsul. Acesta poate prelua produsul în vederea reciclării în condiții de siguranță ecologică.

WOOD'S ON YKSI MAAILMAN JOHTAVISTA KOSTEUDENPOISTAJAMERKEISTÄ.

Wood'sin kosteudenpoistajat tunnetaan markkinajohtajana usean vuoden ajalta. Nämä kosteudenpoistajat sopivat käytettäväksi haastavimmissakin ilmastoissa, koska niiden kosteudenpoistokyky on hyvä eri lämpötiloissa ja kosteustasoissa. Niitä käytetään hyvin tuloksin kosteissa tiloissa, kuten kellareissa, autotalleissa tai kesämökeissä. Ne sopivat myös erinomaisesti vaatteiden, ullakoiden, uima-allastilojen ja pyykinpesutilojen kuivatukseen, sillä ne ovat tehokkaita ja kuluttavat vain vähän energiaa. Ei kuluta vaatteita.

Laitteen poistaman kosteuden määrä riippuu lämpötilasta, kosteustasosta ja koneen sijainnista. Myös ulkoiset sääolosuhteet saattavat vaikuttaa kosteudenpoistajan toimintaan. Wood'sin kosteudenpoistajia voidaan käyttää turvallisesti ja useiden vuosien ajan.

LIALLINEN ILMAN KOSTEUS MUODOSTAA VAARAN

Tiivistymistä tapahtuu, kun ilmassa oleva vesihöyry joutuu kosketuksiin kylmän pinnan, kuten kylmän ikkunan tai seinän, kanssa. Kun vesihöyry jäähtyy, tapahtuu tiivistyminen ja muodostuu vesipisaraita. Kun ilmankosteus on korkea, ilmasta voi tulla ummehtunutta ja voi muodostua homeita, mikä aiheuttaa vahinkoa talolle ja kalusteille. Tällainen ympäristö voi jopa sairastuttaa asukkaita. Lisäksi punkit ja hämähäkit viihtyvät kosteassa ympäristössä. Tehokas kosteudenpoistaja pitää kosteustason hyvällä ja terveellisellä tasolla. Paras hyöty saadaan, kun kuivattavan tilan ovet ja ikkunat pidetään kiinni. Poistaa hajuja, kuivattaa puuta ja poistaa kosteutta ulkoiluvälineistä.

1. TURVALLISUUSVAROITUKSET



Tulenarkaa materiaalia. Laite sisältää R290-propania, joka on helposti syttyvä kylmäaine.



Katso turvallisuustiedot tästä käsikirjasta.



Lue tekninen käsikirja



Lue käyttäjän käsikirja.

TURVALLISUUSTIEDOT

Lue mukana toimitetut ohjeet huolellisesti ennen laitteen asentamista ja käyttöä. Valmistaja ei ole vastuussa, jos virheellinen asennus ja käyttö aiheuttavat vammoja ja vahinkoja. Säilytä ohjeet aina laitteen kanssa myöhempää käyttöä varten.

Lasten ja toimintakyvyltään heikkojen ihmisten turvallisuus

VAARA



Vamman tai pysyvän vamman riski. Vähintään 8-vuotiaat lapset sekä henkilöt, joilla on heikentynyt fyysinen, psyykinen tai henkinen toimintakyky tai vähän kokemusta tai osaamista, voivat käyttää laitetta, jos heille on annettu ohjeet laitteen turvallisesta käytöstä ja he ymmärtävät käytön riskit. Älä anna lasten leikkiä laitteella.

Alle 3-vuotiaat lapset on pidettävä loitolla laitteesta, ellei heitä valvota jatkuvasti. Säilytä kaikki pakkausmateriaalit poissa lasten ulottuvilta.

Lapset eivät saa puhdistaa laitetta tai tehdä ylläpitotoimia ilman valvontaa.

Yleinen turvallisuus

Laite on tarkoitettu käytettäväksi kotitalouksissa ja vastaavissa käyttökohteissa, kuten kellareissa, ryömintätiloissa, myymälöiden henkilökunnan keittiötiloissa, toimistoissa ja muissa työympäristöissä. Arvokilpi sijaitsee kosteudenpoistajan takana tai sivulla.

Älä peitä tuuletusaukkoja.

Älä nopeuta sulatusprosessia käyttämällä mekaanisia laitteita tai muita keinoja, paitsi valmistajan suosittelemia.

Laitetta ei saa säilyttää huoneessa, jossa on toimivia sytytyslähteitä, esim. avotuli tai käynnissä oleva kaasulaite tai sähkölämmitin. Ei saa puhkaista tai polttaa.

Huomaa, että kylmäaineissa ei välttämättä ole tuoksua. Älä puhdistaa laitetta vesisuihkulla tai -höyryllä. Puhdistaa laite kostealla pehmeällä liinalla. Käytä vain neutraaleja pesuaineita. Älä käytä hankaavia tuotteita, hankaavia puhdistus tynyjä, liuottimia tai metalliesineitä.

Jos virtajohto vahingoittuu, valmistajan, sen valtuuttaman huollon tai vastaavan pätevän henkilön on vaihdettava johto vaaran välttämiseksi.

TURVALLISUUSOHJEET

Asennus

VAARA



Laitteen saa asentaa vain pätevä henkilö.

Poista kaikki pakkausmateriaalit.

Älä asenna tai käytä vahingoittunutta laitetta. Laitteen asennus-, käyttö- ja varastointitilan

pinta-alan on oltava suurempi kuin 2 m². Noudata laitteen mukana toimitettuja asennusohjeita. Ole varovainen, kun siirrät laitetta, koska se on raskas. Käytä aina suojakäsineitä.

Varmista, että ilma voi vaihtua laitteen ympärillä. Odota vähintään 4 tuntia, ennen kuin kytket laitteen virtalähteeseen. Odotusaikana öljy virtaa takaisin kompressoriin. Älä asenna laitetta lämpöpattereiden tai muiden lämmönlähteiden lähelle. Älä asenna laitetta suoraan auringonvaloon.

Sähköliitântä

VAARA



Tulipalon ja sähköiskun vaara. Laite on kytkettävä maadoitettuun pistorasiaan. Varmista, että virtalähde vastaa arvokilven sähkötietoja. Jos ei, ota yhteyttä sähköasentajaan. Käytä aina oikein asennettua iskunkestävää pistorasiaa. Älä käytä monen pistorasian jakajia tai jatkojohtoja. Varmista, ettei mikään aiheuta vaurioita sähkökomponenteille (esim. verkkovirtapistoke, verkkovirtajohto). Ota yhteyttä valtuutettuun huoltoon tai sähköasentajaan, jos sähkökomponentteihin on tarpeen tehdä muutoksia. Virtajohdon tulee olla alempana kuin pistoke. Kytke verkkovirtapistoke pistorasiaan vasta asennuksen jälkeen. Varmista, että pistokkeelle on vapaa pääsy asennuksen jälkeen. Älä irrota virtajohtoa johdosta vetämällä. Vedä aina pistokkeesta.

Käyttö

VAARA



Vamman, palovamman, sähköiskun ja tulipalon vaara. Älä muuta laitteen teknisiä määrittämiä.

Varo vahingoittamasta kylmäainepiiriä. Se sisältää propaania (R290), luonnollista kylmäainetta, jonka ympäristövaikutukset ovat vähäiset. Kaasu on helposti syttyvää.

Jos kylmäainepiiri vahingoittuu, varmista, että tilassa ei ole avotulta tai sytytyslähteitä. Tuuleta tila. Älä laita tulenarkoja tuotteita tai helposti syttyvällä tuotteella kostutettuja esineitä laitteen lähelle tai päälle.

Hävittäminen

VAARA



Vamman vaara. Irrota laite verkkovirrasta. Katkaise virtajohto ja hävitä se. Laitteen kylmäainepiiri ei vahingoita otsonikerrosta. Kysy kunnan viranomaisilta ohjeet laitteen asianmukaisesta hävittämisestä. Älä vahingoita lämmönvaihtimen lähellä olevaa jäähdytysyksikön osaa.

KOSTEUDENPOISTAJAN VALMISTELU ASENNUSTA VARTEN

TÄRKEÄÄ:

2. Asennus

ENNEN ENSIMMÄISTÄ KÄYTTÖÄ

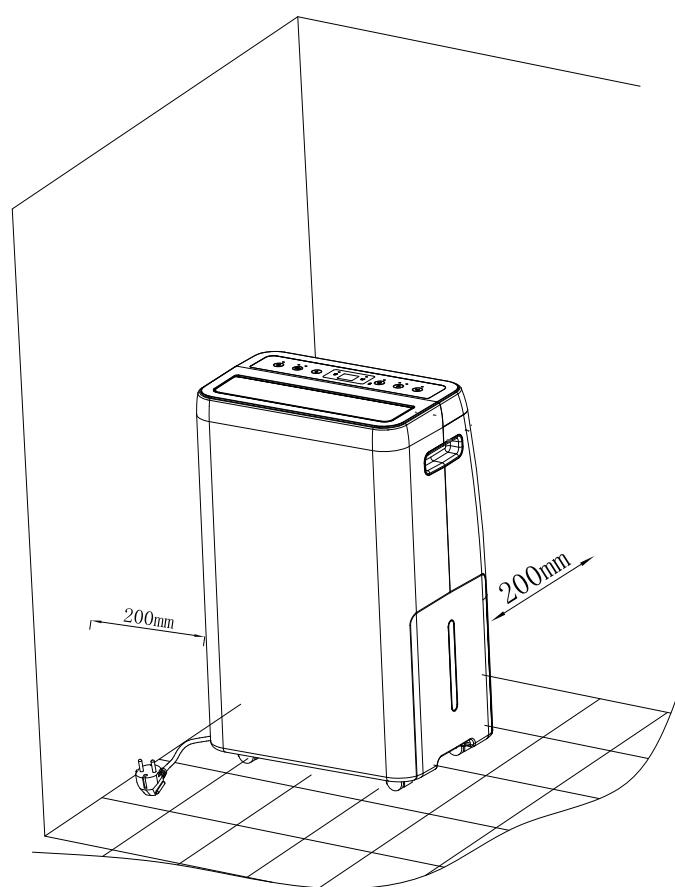
Anna laitteen olla pystyasennossa 4 tuntia

ennen käyttöä

Paikan valinta

Tärkeää

1. Kosteudenpoistaja toimii parhaiten suljetussa tilassa.
Sulje kaikki ovet, ikkunat ja muut ulkotilaan vievät aukot. Kosteudenpoistajan tehokkuus riippuu siitä, miten nopeasti tilaan tulee kostea ilma.
2. Sijoita kosteudenpoistaja paikkaan, jossa ilma voi virrata vapaasti laitteen etupuolella.
3. Kun kosteudenpoistajaa käytetään huoneessa, se ei juurikaan vaikuta tilassa oleviin suljettuihin säilytystiloihin, esim. komeroihin, ellei kyseisessä tilassa ole riittävää ilmanvaihtoa sisään ja ulos. Toisen kosteudenpoistajan asentaminen voi olla tarpeen suljetun säilytystilan kuivaamiseen.
4. Varmista, että laite on sijoitettu vakaalle ja tasaiselle pinnalle. Jos pinta ei ole vakaa, laite saattaa olla epävakaa, mikä aiheuttaa liiallista tärinää ja vesivuotoja.
5. Kosteudenpoistajan ympärillä on oltava joka puolella vähintään 20 cm vapaata tilaa.



TUOTTEEN KUVAUS

3. Tuotteen kuvaus

A

1. Kahva
2. Ohjauspaneeli
3. Yläkansi
4. Kääntötoiminto.
5. Etukotelo

B

1. Ilmalevy
2. Jatkuvan vedenpoiston letku
3. Virtajohto
4. Takakotelo
5. Vesisäiliö

C

1. Ohjauspaneeli

D Kuva D (Kuva ohjauspaneelin symboleista)

1. Virtapainike: Tällä painikkeella voidaan ohjata konetta päälle / pois päältä.
2. Tilapainike: Tällä painikkeella voidaan asettaa kone toimimaan kuiva- tai ilmankuivaustilassa. (Kuivatilalla aikana se kosteuttaa jatkuvasti suurimmalla nopeudella)
3. Kosteuspainike: Kuivaustilan aikana tämä painike voi asettaa eri halutun kosteuden ja alue on 50-55-60-65-70-Co-40-45-50-55-60-65-70% RH.
4. Ajastinpainike: Jos painat tätä painiketta alle 0,5 sekunnin ajan, toiminnan aikana se voi asettaa ajastimen pois päältä -toiminnon 0H / 1H / 2H / 3H / 4H / 5H / 6H / 7H / 8H ajastimen käyttämiseksi.
5. Tuulettimen nopeuspainike: Tämä painike voi asettaa koneen toimimaan hitaalla tai suurella nopeudella.
6. Kääntöpainike: Tällä painikkeella voidaan asettaa kone kääntymään tai kääntymään automaattisesti.
7. Sulatus aktiivinen
8. Vesisäiliö täynnä

9. Lapsilukko: Jos painat ajastinpainiketta 3 sekunnin ajan, se voi kytkeä lapsilukituksen päälle tai pois päältä. Lapsilukon aikana vain ajastin ja päälle / pois-painikkeet voidaan asettaa. Paina vain tätä painiketta uudelleen 3 sekunnin ajan kytkeäksesi lapsilukko pois päältä.

E

1. YLÖS JA PAINIKE Luonnos koneen ylä- ja alapuolella

F

1. Kosteudenpoistajan ympärillä on oltava joka puolella vähintään 20 cm vapaata tilaa.

KOSTEUDENPOISTAJAN SIOJITTAMINEN

- Kosteudenpoistajaa ei saa sijoittaa lämpöpatterin tai muun lämmönlähteen lähelle tai altistaa suoralle auringonvalolle, koska se vähentää suorituskykyä.



- Ihanteellinen paikka on keskellä huonetta/aluetta.

HUOMAA: Jos kosteudenpoistaja sijoitetaan suihku- tai kylpytilaan, se on kiinnitettävä paikalleen. Ennen käyttöä on tarkistettava paikalliset kosteiden tilojen sähkömääräykset ja noudatettava niitä.

KOSTEUDENPOISTAJAN KÄYTTÖ

Jos kosteudenpoistajaa on kuljetettu vaakasuunnassa, anna sen olla pystyasennossa 4 tuntia ennen käyttämistä. On erittäin tärkeää, että öljy valuu takaisin kompressoriin, muuten laitteeseen voi tulla vakava vika.

1. Tarkasta, että vesisäiliö on oikein paikallaan.
2. Liitä kosteudenpoistaja maadoitettuun virtalähteeseen.
3. Aseta haluttu kosteustaso kosteussäätimellä. Katso kosteuden säätöä koskeva kappale.



HUOMAA: Ympäristön suhteellinen kosteus voidaan mitata yksinkertaisesti kosteudenpoistajalla.

KÄYTTÖOPAS

1. Virtapainike (Power): Laitteen käynnistämiseen ja sammuttamiseen.
2. Kosteuspainike: Halutun kosteustason asettaminen Halutun kosteuden asettaminen. paina kosteuspainiketta 5 sekunnin ajan, se näyttää ympäristön lämpötilan (0 ~ 40 °C) 5 sekunnin ajan; Jos pidät kosteuspainiketta painettuna, se näyttää ympäristön lämpötilan koko ajan. Jos et paina uudelleen, se näyttää NTC-anturin lämpötilan automaattisesti 5 sekunnin ajan, näyttää sitten ympäristön kosteuden.
3. Kosteusasetukset: Avaa ilman

poistoaukon asetettu kosteus välillä 40%, 50%, 60% tai jatkuva tila.

4. Ajustin: Kun laite on päällä, paina ajastinta 2H / 4H / 6H ajanoton laskemiseksi.
5. käytön aikana se näyttää ympäristön kosteuden välillä 30,31,32 ... 79,80. Jos se on < . 30% RH, se osoittaa LO; jos se on > 80% RH,
6. Kosteudenpoistotila Voit asettaa kosteustason ja puhaltimen nopeuden 2

MUISTITOIMINTO

1. Paina virtapainiketta (kytketty pistorasiaan) ja paina sitten virtapainiketta uudelleen. Se toimii edellisen asetuksen mukaisesti, mutta ajastimella ja lapsilukko-toiminnolla ei ole muistia.
2. Ei virtaa, kun toiminta tarkoittaa yhtäkkiä kytkemistä pois päältä. Kone toimii automaattisesti, kun virtaa on ja se muistaa edellisen asetuksen, mutta lapsilukko-toiminnolla ei ole muistia.
3. Yksikkö käynnistyy automaattisesti ja toimii viimeisessä asetuksessa virran palautumisen jälkeen. Se toimii alkuperäisessä oletusasetuksessa kosteudenpoistotilassa ja toimii kosteusasetuksessa 50%: n suhteellisella kosteudella suurella nopeudella.

KOSTEUDEN SÄÄTÖ

Wood'sin kosteudenpoistajassa on sisäänrakennettu kosteudensäädin, joka asetetaan halutulle kosteustasolle. Säädin rekisteröi nykyisen kosteustason ja varmistaa, että ilmankuivaaja kytkeytyy päälle ja pois päältä automaattisesti.

VEDEN TYHJENNYS

Kun vesisäiliö on täynnä, kosteudenpoistaja sammuu automaattisesti. Kun vesisäiliö on tyhjennetty, laite käynnistyy uudelleen automaattisesti.

1. Irrota kosteudenpoistaja virtalähteestä.
2. Tyhjennä vesisäiliö.
3. Laita tyhjä vesisäiliö takaisin ja tarkista, että uimuri liikkuu vapaasti.
4. Liitä kosteudenpoistaja virtalähteeseen.

Suora veden tyhjennys
Kytke vesiletku kosteudenpoistajan

takana olevaan putkeen. Johda toinen pää viemäriin. Varmista, että vesi pääsee valumaan alaspaain.

ILMANSUODATIN

Ilmansuodatin estää pölyn ja lian pääsyn laitteeseen ja pidentää sen käyttöikä. On tärkeää, että suodatin puhdistetaan säännöllisesti. Suodattimen puhdistus:

1. Poista suodatin.
2. Pese se lämpimällä vedellä ja miedolla pesuaineella. Suodattimen voi puhdistaa myös imurilla.
3. Anna suodattimen kuivua ja laita se takaisin.

HUURTEENPOISTO

Sulatus toiminnon aikana kosteudenpoistotoiminto voi keskeytyä.

Älä sammuta laitetta tai ota johtoa pois pistorasiasta sulatus toiminnon aikana. Kosteudenpoistajaa ei voi käyttää ilman viilentämiseen.

Kosteudenpoistajan tarkoituksena on poistaa liikaa kosteutta ilmasta arkisessa käytössä, kun esimerkiksi kuivatetaan pyykkiä. Laitetta ei voi käyttää ylläpitämään alhaisia lämpötiloja.

Huoneen lämpötila nousee käytön aikana.

Kosteudenpoistajassa ei ole viilennystoimintoa. Laite tuottaa lämpöä käytön aikana ja nostaa huoneen lämpötilaa 1–4 °C. Lisäksi suljetut ovet ja ikkunat, muut huoneessa olevat laitteet ja auringonvalo voivat nostaa huonelämpötilaa.

HUOLTO JA PUHDISTUS

1. Koska kotelo on valmistettu muovista, älä sijoita sitä suoraan auringonvaloon.
2. Poista vesisäiliö varovasti.
3. Jos et käytä laitetta pitkään. Sammuta ja irrota laite pistorasiasta, tyhjennä vesisäiliö ja säilytä sitä kuivassa ja ilmastoidussa tilassa. Käytä puhdistukseen vain pehmeää, puhdasta kangasta. Älä käytä laitteen puhdistamiseen bensiiniä, maaliohenteita tai muita kemikaaleja.
4. Verkkosuodattimen puhdistaminen: Poista suodatin puhdistamiseen imurilla tai vedellä ja aseta sitten tuuletettuun paikkaan, kunnes se on kuiva.

HUOLTO

Jos kosteudenpoistaja on huollettava, ota ensin yhteyttä paikalliseen

jälleenmyyjään. Kaikki takuuvaatimukset edellyttävät ostotodistusta.

VARASTOINTI

Ennen laitteen varastointia toimi seuraavasti:

1. Varmista, että vesisäiliö on tyhjä. Kun laite on päällä, käytä laitetta vähintään 30 minuuttia tuuletustilassa, niin laitteen sisällä oleva vesi kuivuu.
2. Kokoa virtajohto nippuun.
3. Puhdista suodatin.
4. Säilytä puhtaassa, kuivassa paikassa.

Kaikki takuuvaatimukset edellyttävät ostotodistusta.

VINKKEJÄ

Jos kosteudenpoistajaa käytetään erittäin kosteissa olosuhteissa tai jos lämpötila on alle 5 °C, kosteudenpoistaja voi

lakata toimimasta. Suuri määrä jäätä on kertynyt jäähdytysputkiin. Sammuta kosteudenpoistaja ja aseta se hieman lattiapinnan yläpuolelle niin, että jää sulaa pois.

Joskus saattaa olla hyödyllistä käyttää pakkasuojaa tai lämpötuuletinta varmistamaan, että lämpötila ei putoa alle +10 °C:n. Vaikka MRD20/14 toimii jopa 5 °C:n lämpötilassa, se toimii tehokkaammin lämpimämmässä, koska lämmin ilma sisältää enemmän kosteutta.

Hydrostaatin virhemarginaali on noin +/- 5–10 %. Alemmissä lämpötiloissa virhemarginaali saattaa kasvaa.

- Paras kuivausteho saavutetaan, kun ilman tulo tilaan ulkopuolelta ja vierekkäisistä huoneista on minimoitu – sulje ovet ja tuuletusluukut.

Kuivatuskapasiteetti on korkeampi syksyllä/kesällä, koska ulkoilma on lämpimämpää ja kosteampaa.

TÄRKEÄÄ! - Wood'sin kosteudenpoistajat on kytkettävä maadoitettuun virtalähteeseen. Virtalähteen on oltava 220V-240V 50Hz

ONGELMA	SYY	RATKAISU
Kosteudenpoistaja ei käynnisty	Virta ei ole kytkettynä	Tarkista, että kosteudenpoistaja on kytketty virtalähteeseen ja että sulake ei ole palanut. Tarkista, että vesisäiliö on tyhjä ja oikein asetettu kosteudenpoistajaan.
Ei kuivaa	Vesisäiliö on täynnä. Vesisäiliötä ei ole laitettu oikein paikalleen. Ilmansuodatin on tukossa. Lämpötila tai suhteellinen kosteus huoneessa, jossa laitetta käytetään, on liian matala.	Poista vesi säiliöstä. Aseta vesisäiliö oikeaan asentoon. Puhdista ilmansuodatin. Tarkista, että ilma pääsee virtaamaan vapaasti kosteudenpoistajan läpi. Eturitilän ja ilmansuodattimen pitää olla puhdas ja laitteen tulee olla 20 cm:n päässä seinästä.
Kosteudenpoistaja toimii, mutta ei poista riittävästi kosteutta.	Tila on liian suuri. Liian monta kosteuden lähdettä. Ilmanvaihto on liian voimakas.	Suosittellemme kapasiteetiltaan tehokkaamman kosteudenpoistajan käyttämistä. Suosittelemme kapasiteetiltaan tehokkaamman kosteudenpoistajan käyttämistä. Vähennä ilmanvaihtoa (esim. sulje ikkunat ja ovet.)
Jos laitteen kanssa on ongelmia, katso vianetsintätaulukko. Jos mikään ratkaisuista ei toimi, ota yhteyttä jälleenmyyjään kosteudenpoistajan huoltoa varten.		

Takuu

Kuluttajan takuu on kaksi vuotta tuotantovikojen osalta. Huomaathan, että takuu on voimassa kuittia vastaan. Takuu on voimassa vain, jos tuotetta käytetään tässä käyttöohjeessa olevien ohjeiden ja turvallisuusvaroitusten mukaisesti. Takuu ei kata vahinkoja, jotka johtuvat tuotteen virheellisestä käsittelystä.

HUOMAA: Kahden vuoden takuu koskee vain kuluttajia, ei laitteen kaupallista käyttöä.



HUOM!

Rekisteröi tuotteesi osoitteessa www.warranty-woods.com ja lue, miten voit saada laajennetun takuun. Katso lisätietoja osoitteesta www.woods.se.

Suosittelavat käyttöolosuhteet

Lämpötila 5–35 °C

Suhteellinen kosteus: 30–90 %

Suosittelava kosteustaso:
noin 50 % RH

TEKNISET TIEDOT

	MRD20
Toiminta-alue enintään	70 m ²
Ilmavirtaus	175m ³ /h±10%
Kuivauskapasiteetti 30 °C ja 80 % r.h.	21,1 l/vrk
Teho 30 °C ja 80 % r.h.	315 W±10%
Säiliön tilavuus	3,8 litraa
Kylmäaine	R290
R290:n määrä	60 g
Jännite	220–240 V
Melutaso desibeleinä	48 dB
Paino	15,5 kg
Mitat mm, K x S x L	355x252x567

	MRD25
Toiminta-alue enintään	120 m ²
Ilmavirtaus	1180m ³ /h±10%
Kuivauskapasiteetti 30 °C ja 80 % r.h.	25 l/vrk
Teho 30 °C ja 80 % r.h.	414 W±10%
Säiliön tilavuus	3,8 litraa
Kylmäaine	R290
R290:n määrä	85 g
Jännite	220–240 V
Melutaso desibeleinä	48 dB
Paino	16 kg
Mitat mm, K x S x L	355x252x567

*Oikeus teknisiin muutoksiin ja parannuksiin pidätetään. Kaikki arvot ovat likimääräisiä ja voivat vaihdella ulkoisten olosuhteiden, kuten lämpötilan, ilmanvaihdon ja kosteuden mukaisesti.



*Merkinnän mukaisesti tuotetta ei saa hävittää talousjätteen mukana EU:n alueella. Kierrätä tuote vastuullisesti ja edistä materiaalien kestävä käyttöä. Samalla ehkäiset valvomattoman jätteen hävittämisen aiheuttamia riskejä ympäristölle ja ihmisten terveydelle. Jos haluat palauttaa laitteen, käytä palautus- ja keräysjärjestelmiä tai ota yhteyttä siihen jälleenmyyjään, jolta tuote on ostettu. He voivat kierrättää tuotteen ympäristöystävällisesti.

„WOOD’S“ – VIENI PASAULYJE PIRMAUJANČIŲ ORO SAUSINTUVŲ

Bendrovės „Wood’s“ oro sausintuvai yra pripažinti rinkos lyderiai jau daugelį metų. Šie oro sausintuvai yra skirti naudoti netgi ypač reikliomis sąlygomis, o drėgmės surinkimo našumas būna didelis net esant skirtingai temperatūrai ir drėgmės lygiui patalpoje. „Wood’s“ oro sausintuvai pasiekia gerus rezultatus naudojant drėgnose patalpose, tokiose kaip rūšys, garažas arba vasarnamis. Šie oro sausintuvai yra puikūs pagalbininkai džiovinant skalbinius, palėpes, baseinus ir skalbyklas. Jie efektyvūs ir vartoja mažai elektros energijos. Negadina drabužių.

Drėgmės kiekis, kurį oro sausintuvas ištraukia iš patalpos oro, priklauso nuo patalpos temperatūros, esamo drėgmės lygio ir pastatymo vietos. Išorinės oro sąlygos taip pat gali paveikti oro sausintuvo darbo kokybę. „Wood’s“ oro sausintuvai veikia saugiai ir skirti naudoti daugybę metų.

PER DIDELĖS DRĖGMĖS PAVOJAI

Vandens garai sklandydami ore ir susidūrę su šaltu paviršiumi, pavyzdžiui, šaltu langu arba siena, virsta kondensatu. Kai vandens garai atvėsta, atsiranda kondensatas ir susiformuoja vandens lašai. Esant aukštam patalpos drėgmės lygiui, oras gali tapti purvinas ir gali atsirasti pelėšiai, kurie kenkia namams ir baldams. Tokia aplinka gali net sukelti ligų. Erkės ir vorai taip pat klesti drėgnoje aplinkoje. Didelio našumo sausintuvas užtikrina gerą, sveiką drėgmės lygį. Siekiant didžiausio efektyvumo, sausinamų patalpų durys ir langai turėtų būti laikomi uždaryti. Oro sausintuvai panaikina kvapus, džiovina medieną, pašalina drėgmę iš lauko įrangos.

1. SAUGOS ĮSPĖJIMAI



Degioji medžiaga. Šiame prietaise yra degaus šaltnešio R290 / propano.



Saugos informacijos ieškokite šiame vadove.



Žr. techninį vadovą



Žr. operatoriaus vadovą.

SAUGOS INFORMACIJA

Prieš įrengdami ir naudodami prietaisą, atidžiai perskaitykite pateiktus nurodymus. Gamintojas neatsako už sužalojimus ir pažeidimus, atsiradusius neteisingai naudojant prietaisą. Instrukciją visada laikykite prie prietaiso, kad prireikus galėtumėte pasiskaityti.

Vaikų ir pažeidžiamų žmonių sauga

ĮSPĖJIMAS



Susižalojimo arba nuolatinio neįgalumo pavojus. Šį prietaisą gali naudoti vaikai nuo 8 metų ir asmenys, turintys psichinę, jutiminę ar fizinę negalią, arba neturintys pakankamai patirties ar žinių, jei juos prižiūri arba išmoko saugiai naudotis prietaisu kitas asmuo ir jei jie supranta su prietaiso naudojimu susijusius pavojus. Neleiskite vaikams žaisti su prietaisu.

Jaunesni kaip 3 metų vaikai turėtų būti laikomi atokiau, nebent jie būtų nuolat prižiūrimi.

Visas pakuotes laikykite atokiau nuo vaikų. Prietaiso valymo ir priežiūros darbų vaikai be priežiūros atlikti negali.

Bendroji sauga

Šis prietaisas yra skirtas naudoti namų ūkyje ir panašiose vietose, pavyzdžiui, rūsiuose, ankštose erdvėse, parduotuvų, biurų ir kitų įstaigų darbuotojų virtuvių zonose. Tipo plokštelė yra oro sausintuvo galinėje arba šoninėje dalyje. Negalima uždengti ventiliacijos angų.

Nenaudokite mechaninių įtaisų ar kitų priemonių atitirpinimo procesui pagreitinti, išskyrus gamintojo rekomenduotus. Prietaiso negalima laikyti patalpoje, kurioje yra veikiančių degimo šaltinių (pvz., atvira liepsna, veikiantis dujinis prietaisas arba veikiantis elektrinis šildytuvas). Prietaiso negalima badyti ar deginti.

Turėkite omenyje, kad šaltnešis gali neturėti kvapo. Prietaisui valyti nenaudokite vandens srovės ir garų. Prietaisą valykite minkšta drėgna šluoste. Naudokite tik neutralius ploviklius. Nenaudokite abrazyvinių gaminių, abrazyvinių šluosčių, tirpiklių ar metalinių daiktų.

Jei maitinimo laidas yra pažeistas, jis turi būti pakeistas gamintojo, jo įgalioto techninės priežiūros centro arba kito kvalifikuoto asmens, išvengiant galimo pavojaus.

SAUGOS INSTRUKCIJOS

Įrengimas

ĮSPĖJIMAS

Šį prietaisą gali įrengti tik kvalifikuotas asmuo.

Pašalinkite visą pakuotę.

Neįrenkite ir nenaudokite pažeisto

prietaiso. Prietaisą galima įrengti, eksploatuoti ir laikyti patalpoje, kurios grindų plotas didesnis nei 2 m². Laikykitės su prietaisu pateiktų įrengimo nurodymų. Prietaisą perkelkite atsargiai, nes jis yra sunkus. Visada mūvėkite apsaugines pirštines.

Pasirūpinkite, kad aplink prietaisą oras galėtų laisvai cirkuluoti. Prieš prijungdami prietaisą prie maitinimo šaltinio, palaukite bent 4 valandas. Per šį laiką alyva subėgs atgal į kompresorių. Neįrenkite prietaiso arti radiatorių ar kitų šilumos šaltinių. Neįrenkite prietaiso tiesioginių saulės spindulių apšviečiamoje vietoje.

Elektros maitinimo prijungimas

ĮSPĖJIMAS

Gaisro ir elektros smūgio rizika. Prietaisas turi būti prijungtas prie įžeminto maitinimo lizdo. Įsitikinkite, kad duomenų plokštėlėje esanti elektros maitinimo informacija atitinka maitinimo šaltinio duomenis. Jei taip nėra, kreipkitės į elektriką. Visada naudokite tinkamai įrengtą smūgiams atsparų lizdą. Nenaudokite šakotuvų ir ilgintuvų. Pasirūpinkite, kad nebūtų pažeisti elektros komponentai (pvz., kištukas, maitinimo kabelis). Kreipkitės į įgaliotąjį techninės priežiūros centrą arba elektriką, kad pakeistų elektros komponentus. Maitinimo kabelis turi būti žemiau kištuko lygio. Kištuką į maitinimo lizdą įjunkite tik įrengimo pabaigoje. Pasirūpinkite, kad įrengus prietaisą kištukas būtų lengvai pasiekiamas. Norėdami išjungti prietaisą, netraukite maitinimo kabelio. Visada traukite tik kištuką.

Naudojimas **ĮSPĖJIMAS**

Sužeidimų, nudegimų, elektros smūgio ar gaisro pavojus. Nekeiskite šio prietaiso specifikacijos.

Būkite atsargūs, kad nepažeistumėte šaltnešio kontūro. Jame yra propano (R290), aplinkoje lengvai pasklindančių gamtinių dujų. Šios dujos yra degios.

Jei pažeidžiamas šaltnešio kontūras, pasirūpinkite, kad patalpoje nebūtų liepsnos ir uždegimo šaltinių. Vėdinkite patalpą.

Nedėkite degių gaminių ar daiktų, persisunkusių degiaisais gaminiais, šalia arba ant prietaiso.

Šalinimas **ĮSPĖJIMAS**

Pavojus susižeisti. Atjunkite prietaisą nuo maitinimo tinklo. Nupjaukite maitinimo laidą ir išmeskite. Šio prietaiso šaltnešio kontūras nekenkia ozonui. Informacijos apie tai, kaip tinkamai išmesti prietaisą, teiraukitės savivaldybėje. Nepažeiskite aušinimo įrenginio dalies, esančios šalia šilumokačio.

ORO SAUSINTUVO PARUOŠIMAS MONTAVIMUI

SVARBU:

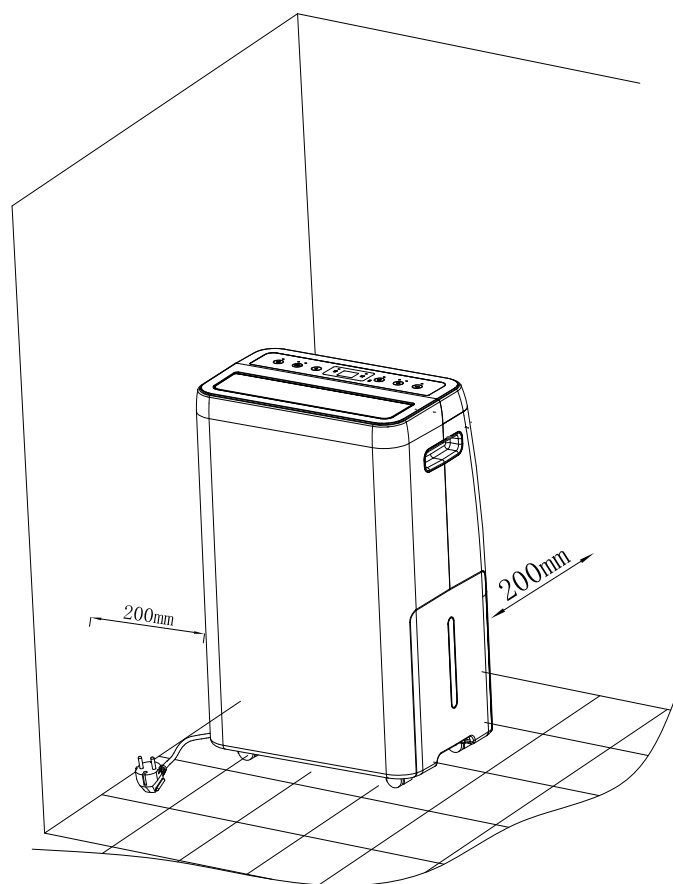
2. Įrengimas

PRIEŠ NAUDOJANT PIRMĄ KARTĄ

Prieš naudodami prietaisą leiskite 4 val. pabūti jam darbinėje aplinkoje
Vietos pasirinkimas

Svarbu

1. Kad veiktų efektyviausiai, oro sausintuvą reikia naudoti uždaroje patalpoje. Uždarykite patalpos duris, langus ir kitas angas į išorę. Oro sausintuvo efektyvumas priklauso nuo drėgmės prisotinto oro patekimo į patalpą greičio.
2. Oro sausintuvą pastatykite tokioje vietoje, kurioje nebūtų ribojamas oro srautas prietaiso priekyje.
3. Patalpoje veikiantis oro sausintuvas prastai arba visai nedžiovins oro gretimose uždaroje saugojimo vietoje, pvz. spintoje, jei joje nebus tinkamos ventilacijos. Siekiant patenkinamų oro sausinimo rezultatų, uždaroje patalpoje gali tekti sumontuoti antrą oro sausintuvą.
4. Užtikrinkite, kad įrenginys būtų pastatytas ant stabilaus ir lygaus paviršiaus. Jei paviršius nėra stabilus, yra rizika, kad įrenginys bus nestabilus, atsiras pernelyg didelė vibracija ir bus išleistas vanduo.
5. Aplink visą oro drėkintuvą turi būti bent 20 cm laisvos vietos.



PRODUKTO APRAŠYMAS

3. Produkto aprašymas

A

1. Rankena
2. Valdymo skydas
3. Viršutinis dangtis
4. Sukimosi funkcija.
5. Priekinis gaubtas

B

1. Pneumatinė plokštelė
2. Nepertraukiamo išleidimo vamzdis
3. Maitinimo laidas
4. Galinis gaubtas
5. Vandens talpykla

C

1. Valdymo skydas

D paveikslas D (valdymo skydelio simbolių paveikslėlis)

1. Maitinimo mygtukas: Šis mygtukas gali valdyti mašiną įjungimą / išjungimą.
2. Režimo mygtukas: Šis mygtukas gali nustatyti, kad mašina veiktų sausuoju arba sausimo režimu (sausio režimo metu jis nuolat sausina esant didžiausiam greičiui).
3. Drėgmės mygtukas: Džiovinimo režimu šis mygtukas gali nustatyti skirtingą norimą drėgmę, o diapazonas yra 50-55-60-65-70-Co-40-45-50-55-60-65-70%.
4. Laikmačio mygtukas: Veikimo metu, jei paspausite šį mygtuką <0,5 sekundės, jis gali nustatyti laikmačio išjungimo funkciją 0H / 1H / 2H / 3H / 4H / 5H / 6H / 7H / 8H, kad būtų galima atlikti atgalinę atskaitą.
5. Ventilatoriaus greičio mygtukas: Šis mygtukas gali nustatyti, kad mašina veiktų mažu ar dideliu greičiu.
6. Sukimosi mygtukas: Šis mygtukas gali nustatyti mašiną, kad ji pasisuktų arba nesisuktų automatiškai.
7. Atšildymas aktyvus
8. Vandens kibiras pilnas

9. Užraktas nuo vaikų: Jei 3 sekundes paspausite laikmačio mygtuką, jis gali įjungti arba išjungti vaikų užrakto funkciją. Vaikų užrakto metu galima nustatyti tik laikmatį ir įjungimo / išjungimo mygtukus. Norėdami išjungti vaikų užrakto funkciją, tik dar 3 sekundes paspauskite šį mygtuką.

E

1. Viršuje ir mygtukas Eskizas viršuje ir apačioje

F

Valdymo skydas

1. Aplink visą oro drėkintuvą turi būti bent 20 cm laisvos vietos.

ORO SAUSINTUVO PASTATYMAS

- Oro sausintuvas negali būti pastatytas šalia radiatoriaus ar kito šildymo prietaiso, kadangi tai gali sumažinti jo našumą.
- Idealu, jeigu oro sausintuvą pastatysite viduryje kambario / patalpos



PASTABA: Jeigu oro sausintuvą naudojate duše arba vonios kambaryje, prietaisas turi būti pritvirtintas vietoje. Privaloma patikrinti ir naudoti prietaisą pagal vonios kambario elektrinės įrangos naudojimo reikalavimus.

NAUDOJIMASIS ORO SAUSINTUVU

Jei oro sausintuvas gabenamas horizontalioje padėtyje, prieš naudodami leiskite jam pastovėti 4 val. Labai svarbu, kad tepalas sutekėtų atgal į kompresorių, kitu atveju oro sausintuvas gali būti stipriai pažeistas.

1. Patikrinkite, ar tinkamai įdėtas vandens rezervuaras.
2. Įjunkite oro sausintuvą į žemintą elektros lizdą.
3. Valdikliu nustatykite pageidaujamą drėgmės lygį. Žr. skyrių apie drėgmės valdiklį.



PASTABA: Aplinkos santykinę drėgmę galima tiesiog išmatuoti oro drėkintuvu.

NAUDOJIMO INSTRUKCIJA

1. Maitinimo mygtukas: Šiuo mygtuku galima įjungti arba išjungti prietaisą.
2. Drėgnumo mygtukas: Norėdami nustatyti norimą drėgnumą Norėdami nustatyti norimą drėgmę, paspauskite drėgmės mygtuką 5 sekundes, jis rodo aplinkos temperatūrą (0–40 °C) 5 sekundes; Jei paspausite ir palaikysite mygtuką Drėgmė, jis visą laiką rodys aplinkos temperatūrą. Jei dar kartą nepaspausite, jis automatiškai 5 sekundes parodys NTC jutiklio temperatūrą, tada rodo oro drėgmę.

3. Drėgmės nustatymai: atidarykite oro išleidimo angos nustatytą drėgmę tarp 40%, 50%, 60% arba nepertraukiamąjį režimą.
4. Laikmatis: Kai prietaisas įjungtas, paspauskite laikmatį 2H / 4H / 6H, kad pradėtumėte atgalinį skaičiavimą.
5. eksploataavimo metu aplinkos oro drėgnumas yra nuo 30,31,32 ... 79,80. Jei tai < . 30% RH, tai rodo LO; jei jis yra > 80% RH,
6. Sausinimo režimu galite nustatyti drėgmės lygį ir 2 ventiliatoriaus greitį .

ATMINTIES FUNKCIJA

1. Paspauskite įjungimo / išjungimo mygtuką (ikištą į elektros tinklo lizdą), tada dar kartą paspauskite įjungimo / išjungimo mygtuką. Jis veikia pagal ankstesnį nustatymą, tačiau laikmatis ir vaikų užrakto funkcija neturi atminties.
2. Neturi energijos, kai operacija prilygsta staigiam išjungimui. Mašina veikia automatiškai, kai yra energijos ir ji prisimena ankstesnį nustatymą, tačiau vaikų užrakto funkcija neturi atminties.
3. Įrenginys automatiškai įsijungs ir veiks paskutinį kartą, kai grįš energija. Jis veikia esant pradiniam numatytajam nustatymui sausinimo režime ir esant 50% santykinio oro drėgnumo nustatymui esant dideliame greičiui.

DRĖGNIO KONTROLĖ

„Wood’s“ sausintuve yra integruotas drėgmės valdiklis, kuriuo nustatomas pageidaujamas drėgmės lygis. Valdiklis registruoja esamą drėgmės lygį ir užtikrina, kad sausintuvas būtų įjungiamas ir išjungiamas automatiškai.

VANDENS IŠLEIDIMAS

Kai vandens rezervuaras prisipildo, sausintuvas išsijungia savaime. Kai vandens rezervuaras ištuštinamas, prietaisas iš naujo pasileis automatiškai.

1. Ištraukite oro sausintuvo elektros kištuką iš lizdo.
2. Išpilkite bakelyje esantį vandenį.
3. Įstatykite tuščia bakelį atgal ir patikrinkite, ar plūdė laisvai juda.
4. Įjunkite oro sausintuvą į elektros lizdą.

Tiesioginis vandens išleidimas
Prijunkite vandens žarną prie vamzdžio, esančio oro sausintuvo galinėje pusėje. Nuveskite kitą galą į išleidimo vietą. Įsitikinkite, kad vanduo galės tekėti žemyn.

ORO FILTRAS

Oro filtras neleidžia į prietaisą pateikti purvui ir dulkėms, todėl pailgėja jo eksploataavimo trukmė. Svarbu reguliariai valyti filtrą. Filto valymas:

1. Išimkite filtrą.
2. Nuplaukite jį po šiltu vandeniu su švelniu valikliu. Taip pat galite nusiurbti filtrą.
3. Leiskite filtrui nudžiūti ir įstatykite atgal į oro sausintuvą.

ATŠILDYMAS

Atšildymo procedūros metu sausinimo operacija gali veikti su pertrūkiais.

Atšildymo metu neišjunkite jungiklio ir neištraukite sausintuvus maitinimo kištuką. Šis oro sausintuvas neskirtas palaikyti ekstremaliai žemą temperatūrą.

Šio oro sausintuvo tikslas yra pašalinti nemaloniai didelę drėgmę iš kasdieninės gyvenamosios aplinkos ir džiovinti drėgnus daiktus. Jo negalima naudoti palaikyti ekstremaliai žemą temperatūrą.

Jam veikiant temperatūra patalpoje padidėja.

Šis sausintuvas neturi aušinimo funkcijos. Veikdamas jis išskiria šilumą ir padidina kambario temperatūrą 1–4 °C. Be to, kai yra uždarytos durys ir langai, kiti prietaisai taip pat gali spinduliuoti šilumą. Kambario temperatūrą taip pat gali pakelti ir krentantys saulės spinduliai.

PRIEŽIŪRA IR VALYMAS

Kadangi dėklas pagamintas iš plastiko, nedėkite jo į tiesioginius saulės spindulius.

Atsargiai išimkite vandens baką.

Jei ilgą laiką nenaudosite prietaiso. Išjunkite ir atjunkite įrenginį, ištuštinkite vandens baką, laikykite sausoje ir vėdinamoje vietoje.

Visus valymo darbus naudokite tik minkštą, švarią šluostę. Nenaudokite benzino, dažų skiediklių ar kitų chemikalų.

Pagrindinio filtro valymas: Norėdami išvalyti filtrą, išimkite jį dulkių siurbliu ar vandeniu, tada padėkite jį vėdinamoje vietoje, kol jis išdžius.

APTARNAVIMAS

Jeigu reikia taisyti oro sausintuvą, pirmiausia kreipkitės į vietos pardavėją. Kreipiantis dėl garantinio aptarnavimo būtina turėti pirkimo čekį.

SAUGOJIMAS

Prieš pastatydami įrenginį saugoti, atlikite šiuos veiksmus:

1. Įsitikinkite, ar vandens bakas tuščias. Jei įrenginys įjungtas, pasirūpinkite, kad įrenginys veiktų vėdinimo režimu bent 30 minučių, kad būtų pašalintas vanduo įrenginio viduje.
2. Surinkite ir vyniokite maitinimo laidą.
3. Išvalykite filtrą.
4. Laikykite švarioje, sausoje aplinkoje.

Kreipiantis dėl garantinio aptarnavimo būtina turėti pirkimo čekį.

PATARIMAI

Kai sausintuvus naudojamas labai drėgnose aplinkose arba kai temperatūra yra žemesnė nei + 5 °C, sausintuvus gali nustoti veikti. Ant aušinimo radiatoriaus susikaupia daug ledo. Išjunkite sausintuvą ir padėkite jį šiek tiek aukščiau grindų

lygio, kad ledas ištirptų.

Kartais gali būti naudinga naudoti apsaugą nuo užšalimo arba šildytuvą su ventiliatoriumi, kad būtų užtikrinta, jog temperatūra nenukris žemiau + 10 °C. Net jei MRD20/14 veikia esant + 14 °C temperatūrai, jo pajėgumas bus didesnis, esant aukštesnei temperatūrai, nes šiltas oras perneša daugiau vandens.

Hidrostato paklaida yra apie +/- 5–10 %. Esant žemai temperatūrai, paklaida gali padidėti.

Jei reikalinga maksimali sausinimo galia, rekomenduojama sumažinti oro tiekimą iš išorės ir iš gretimų patalpų, todėl uždarykite duris ir išjunkite ventiliatorių.

Rudenį ir vasarą sausintuvus veiks efektyviau, nes išorės oras yra šiltesnis ir drėgnesnis.

SVARBU! - „Wood’s“ oro sausintuvus būtina jungti prie įžeminto maitinimo šaltinio. Maitinimo šaltinis turi būti 220–240 V 50 Hz

PROBLEMA	Priežastis	TRIKČIŲ ŠALINIMAS
Sausintuvus neveikia	Neprijungtas maitinimas	Patikrinkite, ar oro sausintuvus įjungtas į elektros lizdą ir ar saugikliai nėra perdeję. Patikrinkite, ar vandens rezervuaras yra tuščias ir teisingai įstatytas į sausintuvą.
Nerenka drėgmės	Vandens talpykla pilna. Vandens talpykla buvo pakeista netinkamai. Užsikimšęs oro filtras. Patalpoje, kurioje veikia prietaisas, per žema temperatūra arba santykinis drėgnis.	Pašalinkite vandenį iš talpyklos. Įdėkite vandens talpyklą į tinkamą padėtį. Išvalykite oro filtrą. Patikrinkite, ar oro srautas gali lengvai cirkuliuoti sausintuve. Priekinės grotelės ir galinis oro filtras turi stovėti mažiausiai 20 cm. atstumu nuo sienos ar kitų daiktų.
Sausintuvus veikia, tačiau nepakankamai sumažina santykinį drėgnį.	Kambarys yra per didelis. Yra per daug drėgmės šaltinių. Per didelė ventiliacija.	Rekomenduojame naudoti didesnės galios sausintuvą. Rekomenduojame naudoti didesnės galios sausintuvą. Sumažinkite ventiliaciją (pvz., uždarykite langus ir duris).
Jeigu su sausintuvu iškilę problemų, žr. sk. Trikčių diagnostika. Jei šie patarimai nepadeda, susisiekite su savo oro sausintuvo aptarnavimo įmone.		

Garantijos

2 metų vartotojo garantija dėl gamybos trūkumų nebuvimo. Atkreipkite dėmesį, kad garantija galioja tik pateikus pirkimo kvitą. Garantija galioja tik tuo atveju, jei prietaisas buvo naudojamas pagal instrukcijas ir saugos įspėjimus, pateikiamus šiame vadove. Garantija neapima žalos, atsiradusios dėl netinkamo produkto naudojimo.

PASTABA: 2 metų garantija taikoma tik buitiniams vartotojams, be komerciniam prietaiso naudojimui.



PASTABA!

Užsiregistruokite adresu www.warranty-woods.com ir sužinokite daugiau apie tai, kaip pratęsti garantiją. Daugiau informacijos rasite tinklapyje www.woods.se.

Rekomenduojamos sąlygos tinkamam oro sausintuvo veikimui

Temp. nuo +5 °C iki +35 °C

Santykinis oro drėgnumas: nuo 30 % iki 90 %

Rekomenduojamas drėgnio lygis: apie 50 % SOD

TECHNINIAI DUOMENYS

MRD20

Maksimalus patalpų plotas	70 m ²
Oro srautas	175m ³ /h±10%
Našumas esant 30 °C ir 80 % drėgmės lygiui	21,1 l/24 val.
Energijos suvartojimas esant 30 °C ir 80 % drėgmės lygiui	315 W±10%
Bakelio talpa	3,8 l
Šaltnešis	R290
R290 kiekis	60 g
Įtampa	220–240 V
Garsumo lygis, dB	48 dB
Svoris	15,5 kg
Matmenys mm, l x P x A	355x252x567

MRD25

Maksimalus patalpų plotas	120 m ²
Oro srautas	180m ³ /h±10%
Našumas esant 30 °C ir 80 % drėgmės lygiui	25 l /24 val.
Energijos suvartojimas esant 30 °C ir 80 % drėgmės lygiui	414 W±10%
Bakelio talpa	3,8 l
Šaltnešis	R290
R290 kiekis	85 g
Įtampa	220–240 V
Garsumo lygis, dB	48 dB
Svoris	16 kg
Matmenys mm, l x P x A	355x252x567

* Gali būti techninių pakeitimų ir patobulinimų. Visos vertės yra apytikrės ir gali skirtis dėl išorinių aplinkybių, pavyzdžiui, temperatūros, vėdinimo ir drėgmės.



*Ši žyma rodo, kad šio gaminio nereikėtų išmesti su kitomis buitinėmis atliekomis visoje ES. Siekiant išvengti galimos nekontroliuojamo atliekų šalinimo sukeltos žalos aplinkai ar žmogaus sveikatai, jį atsakingai utilizuokite, kad būtų skatinamas tvarus pakartotinis materialų išteklių naudojimas. Jei norite įrenginį grąžinti mums, naudokitės grąžinimo ir surinkimo sistemomis arba kreipkitės į pardavėją, kur buvo įsigytas gaminy. Jie gali priimti šį gaminį, kad jis būtų perdirbtas nepakenkiant aplinkai.

WOOD'S IR VIENS NO GAISA SAUSINĀTĀJU LĪDERIEM PASAULĒ

Uzņēmuma Wood's gaisa sausinātāji ir atzīti tirgus līderi jau daudzus gadus. Šie gaisa sausinātāji ir piemēroti lietošanai visprasīgākajā klimatā, kur sausināšanas veiktspēja ir laba pat dažādos temperatūras un mitruma līmeņos. Tie nodrošina labus rezultātus telpās, kuras kļūst mitras, piemēram, pagrabos, garāžās un vasarnīcās. Tie ir arī lieliski piemēroti mazgāšanas telpu, bēniņu, peldbaseinu telpu un veļas mazgātavu sausināšanai. Tie ir efektīvi un patērē maz enerģijas. Tie neizraisa drēbju nonēsāšanos.

Gaisa sausinātāja savāktais mitruma daudzums ir atkarīgs no temperatūras, mitruma līmeņa un novietojuma. Arī ārēji laikapstākļi var ietekmēt gaisa sausinātāja veiktspēju. Wood's gaisa sausinātāji ir droši darbībā un paredzēti darbībai daudzu gadu garumā.

PĀRMĒRĪGA MITRUMA BĪSTAMĪBA

Gaisā esošajiem ūdens tvaikiem saskaroties ar aukstu virsmu, piemēram, aukstu logu vai sienu, notiek kondensācija. Kad ūdens tvaiki atdziest, notiek kondensācija un izveidojas ūdens pīles. Augsta gaisa mitruma dēļ gaisā var būt jūtama pelējuma smaka un var veidoties pelējums, kas bojā ēkas un mēbeles. Šāda vide var izraisīt pat iedzīvotāju saslimšanu. Turklāt mitrā vidē labprāt dzīvo ērces un zirnekļi. Augstas veiktspējas gaisa sausinātājs rada labu, veselīgu mitruma līmeni. Lai nodrošinātu augstāko efektivitāti, jābūt aizvērtiem sausināmo telpu logiem un durvīm. Sausinātājs likvidē smakas, žāvē malku un atbrīvo āra aprikojumu no mitruma.

1. DROŠĪBAS BRĪDINĀJUMI



Viegli uzliesmojošs materiāls. Šī ierīce satur R290/propānu, kas ir viegli uzliesmojošs aukstumaģents.



Informāciju par drošību skatiet šajā rokasgrāmatā.



Izlasiet tehnisko rokasgrāmatu



Izlasiet operatora rokasgrāmatu.

INFORMĀCIJA PAR DROŠĪBU

Pirms ierīces uzstādīšanas un lietošanas uzmanīgi izlasiet komplektācijā ietverto instrukciju. Ražotājs neuzņemas atbildību par nepar4eizas uzstādīšanas un lietošanas izraisītiem savainojumiem un bojājumiem. Vienmēr glabājiet instrukciju ierīces tuvumā turpmākai uzziņai.

Bērnu un neaizsargātu personu drošība

BRĪDINĀJUMS



Traumu vai neatgriezeniskas invaliditātes risks. Šo ierīci drīkst lietot bērni no 8 gadu vecuma un personas ar fiziskiem, maņu orgānu vai garīgiem traucējumiem, kā arī personas, kurām nav nepieciešamās pieredzes un zināšanu, ja tās ir saņēmušas praktisku apmācību vai norādījumus par ierīces lietošanu drošā veidā un saprot ar to saistītos apdraudējumus.

Neļaujiet bērniem rotaļāties ar ierīci.

Bērni līdz 3 gadu vecumam nedrīkst tuvoties ierīcei, ja vien viņi netiek nepārtraukti uzraudzīti. Sargājiet visu iepakojumu no bērniem. Bērni nedrīkst bez uzraudzības veikt tīrīšanu un lietotāja apkopi.

Vispārējā drošība
Šī ierīce ir paredzēta lietošanai mājāsaimniecībās un līdzīgās vietās, piemēram, pagrabos, bēniņos, kā arī veikalos, birojos un citu darbavietu darbinieku virtuves zonās. Nominālo tehnisko datu plāksnīte atrodas gaisa sausinātāja aizmugurē vai sānos. Nodrošiniet, lai ventilācijas atveres nebūtu nosprostotas.

Atkausēšanas procesa paātrināšanai neizmantojiet mehāniskas ierīces vai citus līdzekļus, ko nav ieteicis ražotājs.

Ierīci nedrīkst glabāt telpā, kur darbojas uzliesmošanas avoti (piemēram, atklāta liesma, aizdegta gāzes ierīce vai ieslēgts elektriskais sildītājs). Necaurduriet un nededziniet.

Ņemiet vērā, ka aukstumaģentiem var nebūt smaržas. Ierīces tīrīšanai neizmantojiet ūdens smidzinātāju un tvaiku. Tīriet ierīci ar mitru mīkstu drānu. Izmantojiet tikai neitrālus mazgāšanas līdzekļus. Neizmantojiet abrazīvus produktus, abrazīvus tīrīšanas spilventiņus, šķīdinātājus vai metāla priekšmetus.

Ja ir bojāts strāvas padeves vads, ražotājam, tā pilnvarotam apkopes centram vai līdzīgām kvalificētām personām tas ir jānomaina, lai novērstu apdraudējumu.

DROŠĪBAS NORĀDĪJUMI

Uzstādīšana

BRĪDINĀJUMS

Šo ierīci drīkst uzstādīt tikai kvalificēta persona.

Noņemiet visu iepakojumu.

Neuzstādiet un nelietojiet bojātu ierīci.

Ierīce ir jāuzstāda, jālieto un jāglabā telpā, kur uz grīdas ir

vismaz 2 m² brīvas vietas. Izpildiet ierīces komplektācijā ietvertajā

uzstādīšanas instrukcijā sniegtos norādījumus.

Pārvietojot ierīci, vienmēr rīkojieties piesardzīgi, jo ierīce ir smaga.

Vienmēr lietojiet aizsargcimdus.

Nodrošiniet, lai ap ierīci varētu cirkulēt gaiss.

Pirms ierīces pievienošanas strāvas avotam uzgaidiet vismaz 4 stundas.

Tā ir jārikojas, lai eļļa varētu ieplūst atpakaļ kompresorā.

Neuzstādiet ierīci radiatoru vai citu karstuma avotu tuvumā.

Neuzstādiet ierīci tiešā saules gaismā.

Elektriskais savienojums

BRĪDINĀJUMS

Ugunsgrēka un elektriskās strāvas trieciena risks.

Ierīce ir jāpievieno iezemētai kontaktligzdai.

Pārlicinieties, vai nominālo tehnisko datu plāksnītē norādītie

elektrības dati atbilst strāvas avota parametriem. Ja tā nav, sazinieties ar elektriķi.

Vienmēr izmantojiet pareizi uzstādītu triecienizturīgu kontaktligzdu.

Neizmantojiet vairāku ligzdu adapterus un pagarinātājus.

Uzmanieties, lai nesabojātu elektriskās sastāvdaļas (piemēram, strāvas padeves kontaktdakšu un kabeli).

Ja ir jānomaina elektriskās sastāvdaļas, sazinieties ar

pilnvaroto apkopes centru vai elektriķi.

Strāvas padeves kabelim ir jāatrodas zemāk par strāvas padeves kontaktdakšu.

Pievienojiet strāvas padeves kontaktdakšu elektrotīkla kontaktligzdai tikai uzstādīšanas beigās.

Pēc uzstādīšanas pārlicinieties, vai var piekļūt strāvas padeves kontaktdakšai.

Nevelciet strāvas padeves kabeli, lai atvienotu ierīci. Vienmēr velciet strāvas padeves kontaktdakšu.

Nevelciet strāvas padeves kabeli, lai atvienotu ierīci. Vienmēr velciet strāvas padeves kontaktdakšu.

Nevelciet strāvas padeves kabeli, lai atvienotu ierīci. Vienmēr velciet strāvas padeves kontaktdakšu.

Nevelciet strāvas padeves kabeli, lai atvienotu ierīci. Vienmēr velciet strāvas padeves kontaktdakšu.

Nevelciet strāvas padeves kabeli, lai atvienotu ierīci. Vienmēr velciet strāvas padeves kontaktdakšu.

Nevelciet strāvas padeves kabeli, lai atvienotu ierīci. Vienmēr velciet strāvas padeves kontaktdakšu.

Nevelciet strāvas padeves kabeli, lai atvienotu ierīci. Vienmēr velciet strāvas padeves kontaktdakšu.

Nevelciet strāvas padeves kabeli, lai atvienotu ierīci. Vienmēr velciet strāvas padeves kontaktdakšu.

Nevelciet strāvas padeves kabeli, lai atvienotu ierīci. Vienmēr velciet strāvas padeves kontaktdakšu.

Nevelciet strāvas padeves kabeli, lai atvienotu ierīci. Vienmēr velciet strāvas padeves kontaktdakšu.

Lietošana

BRĪDINĀJUMS

Savainojumu, apdegumu, elektriskās strāvas trieciena vai ugunsgrēka risks.

Nemainiet šīs ierīces tehniskos datus.

Uzmanieties, lai nesabojātu aukstumaģenta kontūru. Tas satur propānu (R290), kas ir dabasgāze ar augsta līmeņa saderību ar vidi. Šī gāze ir viegli uzliesmojoša.

Uzmanieties, lai nesabojātu aukstumaģenta kontūru. Tas satur propānu (R290), kas ir dabasgāze ar augsta līmeņa saderību ar vidi. Šī gāze ir viegli uzliesmojoša.

Uzmanieties, lai nesabojātu aukstumaģenta kontūru. Tas satur propānu (R290), kas ir dabasgāze ar augsta līmeņa saderību ar vidi. Šī gāze ir viegli uzliesmojoša.

Uzmanieties, lai nesabojātu aukstumaģenta kontūru. Tas satur propānu (R290), kas ir dabasgāze ar augsta līmeņa saderību ar vidi. Šī gāze ir viegli uzliesmojoša.

Uzmanieties, lai nesabojātu aukstumaģenta kontūru. Tas satur propānu (R290), kas ir dabasgāze ar augsta līmeņa saderību ar vidi. Šī gāze ir viegli uzliesmojoša.

Uzmanieties, lai nesabojātu aukstumaģenta kontūru. Tas satur propānu (R290), kas ir dabasgāze ar augsta līmeņa saderību ar vidi. Šī gāze ir viegli uzliesmojoša.

Uzmanieties, lai nesabojātu aukstumaģenta kontūru. Tas satur propānu (R290), kas ir dabasgāze ar augsta līmeņa saderību ar vidi. Šī gāze ir viegli uzliesmojoša.

Uzmanieties, lai nesabojātu aukstumaģenta kontūru. Tas satur propānu (R290), kas ir dabasgāze ar augsta līmeņa saderību ar vidi. Šī gāze ir viegli uzliesmojoša.

Uzmanieties, lai nesabojātu aukstumaģenta kontūru. Tas satur propānu (R290), kas ir dabasgāze ar augsta līmeņa saderību ar vidi. Šī gāze ir viegli uzliesmojoša.

Aukstumaģenta kontūra bojājumu gadījumā nodrošiniet, lai telpā nebūtu liesmu un uzliesmošanas avotu. Izvēdiniet telpu.

Nenovietojiet uz ierīces vai tās tuvumā viegli uzliesmojošus produktus vai ar šādiem produktiem samitrinātus priekšmetus.

Nenovietojiet uz ierīces vai tās tuvumā viegli uzliesmojošus produktus vai ar šādiem produktiem samitrinātus priekšmetus.

Nenovietojiet uz ierīces vai tās tuvumā viegli uzliesmojošus produktus vai ar šādiem produktiem samitrinātus priekšmetus.

Nenovietojiet uz ierīces vai tās tuvumā viegli uzliesmojošus produktus vai ar šādiem produktiem samitrinātus priekšmetus.

Nenovietojiet uz ierīces vai tās tuvumā viegli uzliesmojošus produktus vai ar šādiem produktiem samitrinātus priekšmetus.

Nenovietojiet uz ierīces vai tās tuvumā viegli uzliesmojošus produktus vai ar šādiem produktiem samitrinātus priekšmetus.

Nenovietojiet uz ierīces vai tās tuvumā viegli uzliesmojošus produktus vai ar šādiem produktiem samitrinātus priekšmetus.

Nenovietojiet uz ierīces vai tās tuvumā viegli uzliesmojošus produktus vai ar šādiem produktiem samitrinātus priekšmetus.

Likvidēšana

BRĪDINĀJUMS

Savainojumu risks.

Atvienojiet ierīci no strāvas avota.

Nogrieziet strāvas padeves vadu un izmetiet to. Šīs ierīces aukstumaģenta kontūrs nav kaitīgs ozonam. Sazinieties ar pašvaldības iestādi, lai uzzinātu, kā pareizi

Nogrieziet strāvas padeves vadu un izmetiet to. Šīs ierīces aukstumaģenta kontūrs nav kaitīgs ozonam. Sazinieties ar pašvaldības iestādi, lai uzzinātu, kā pareizi

Nogrieziet strāvas padeves vadu un izmetiet to. Šīs ierīces aukstumaģenta kontūrs nav kaitīgs ozonam. Sazinieties ar pašvaldības iestādi, lai uzzinātu, kā pareizi

Nogrieziet strāvas padeves vadu un izmetiet to. Šīs ierīces aukstumaģenta kontūrs nav kaitīgs ozonam. Sazinieties ar pašvaldības iestādi, lai uzzinātu, kā pareizi

Nogrieziet strāvas padeves vadu un izmetiet to. Šīs ierīces aukstumaģenta kontūrs nav kaitīgs ozonam. Sazinieties ar pašvaldības iestādi, lai uzzinātu, kā pareizi

likvidēt ierīci.

Nesabojāiet siltummaiņa tuvumā esošo dzesēšanas bloka daļu.

GAISA SAUSINĀTĀJA SAGATAVOŠANA UZSTĀDĪŠANAI

SVARĪGI:

2. Uzstādīšana

PIRMS PIRMĀS LIETOŠANAS

Pirms lietošanas ļaujiet ierīcei pastāvēt

4 stundas

Vietas izvēle

Svarīgi

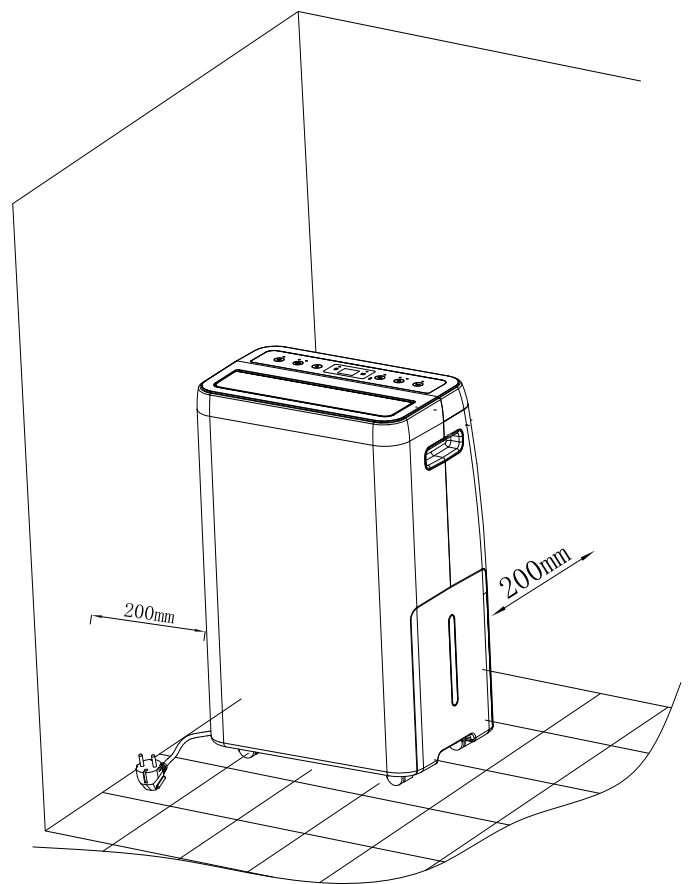
1. Lai gaisa sausinātājs darbotos ar maksimālu efektivitāti, tas jāizmanto slēgtā zonā. Aizveriet visas durvis, logus un citas telpas ārējās atveres. Gaisa sausinātāja efektivitāte ir atkarīga no ātruma, ar kādu telpā iekļūst jauns mitrais gaiss.

2. Novietojiet gaisa sausinātāju vietā, kas neierobežo gaisa plūsmu caur ierīces priekšpusi.

3. Gaisa sausinātājs, kas darbojas telpā maz ietekmē vai vispār neietekmē blakusesošas slēgtās novietnes zonas, piemēram skapja, žāvēšanu, ja vien zonā un ārpus tās nav atbilstošas gaisa cirkulācijas. Lai žāvēšana būtu apmierinoša, iespējams, vajadzētu uzstādīt otru gaisa sausinātāju slēgtā zonā.

4. Ierīce ir jānovieto uz stabilas un līdzenas virsmas. Ja virsma nav stabila, arī ierīce var būt nestabila, var pārmērīgi vibrēt, kā arī no tās var izklūt ūdens.

5. Atstājiet vismaz 20 cm brīvas vietas ap visu gaisa sausinātāju.



IZSTRĀDĀJUMA APRAKSTS

3. Produkta apraksts

A

1. Rokturis
2. Vadības panelis
3. Augšējais vāks
4. Pagriešanas funkcija
5. Priekšējais korpuss

B

1. Gaisa plāksne
2. Pastāvīgas drenāžas caurule
3. Strāvas vads
4. Aizmugurējais korpuss
5. Ūdens tvertne

C

1. Vadības panelis

D attēls D (simbolu attēls vadības panelī)

1. Barošanas poga: ar šo pogu var vadīt mašīnu ieslēgšanu / izslēgšanu.
2. Režīma poga: Šī poga var iestatīt mašīnu darbam sausā vai mitruma samazināšanas režīmā (sausā režīma laikā tā nepārtraukti mitrina ar vislielāko ātrumu)
3. Mitruma poga: Mitrināšanas režīma laikā šī poga var iestatīt atšķirīgu vēlamo mitrumu, un diapazons ir 50-55-60-65-70-Co-40-45-50-55-60-65-70% RH.
4. Taimera poga: Darbības laikā, nospiežot šo taustiņu <0,5 sekundes, tā var iestatīt taimera izslēgšanas funkciju 0H / 1H / 2H / 3H / 4H / 5H / 6H / 7H / 8H, lai darbinātu atpakaļskaitīšanu.
5. Ventilatora ātruma poga: šī poga var iestatīt mašīnu darbam ar mazu ātrumu vai lielu ātrumu.
6. Šūpoles poga: Šī poga var iestatīt, lai mašīna automātiski šūpojas vai nevirzās.
7. Atkausēšana aktīva
8. Ūdens spainis pilns
9. Bērnu slēdzene: Nospiežot taimera pogu 3 sekundes, tā var ieslēgt vai izslēgt bērnu bloķēšanas funkciju. Bērnu bloķēšanas laikā var iestatīt tikai taimeri un ieslēgšanas

/ izslēgšanas taustiņus. Vienkārši vēlreiz nospiediet šo pogu 3 sekundes, lai izslēgtu bērnu bloķēšanas funkciju.

E

1. Augšdaļa un poga Skice mašīnas augšpusē un zem tās

F

Vadības panelis

1. Atstājiet vismaz 20 cm brīvas vietas ap visu gaisa sausinātāju.

GAISA SAUSINĀTĀJA NOVIETOJUMS

- Gaisa sausinātāju nevajadzētu novietot blakus radiatoriem vai citiem siltuma avotiem vai novietot tiešos saules staros, jo tas ietekmēs tā veiktspēju.



- Ideālā variantā to novieto istabas/ telpas centrā.

PIEZĪME. Izmantojot gaisa sausinātāju dušas vai vannas istabā, tas jānofiksē vietā. Pirms lietošanas obligāti jāizlasa un jāievēro vietējie noteikumi par elektroierīcēm vannas istabā.

GAISA SAUSINĀTĀJA LIETOŠANA

Ja gaisa sausinātāju pārvieto horizontāli, pirms izmantošanas tam ir jāpastāv 4 stundas. Ir ļoti svarīgi, lai eļļa satecētu atpakaļ kompresorā, jo citādi gaisa sausinātājs var tikt nopietni bojāts.

1. Pārbaudiet, vai ūdens tvertne ir pareizi novietota.
2. Pievienojiet gaisa sausinātāju iezemētam strāvas avotam.
3. Iestatiet nepieciešamo mitruma līmeni, izmantojot mitruma regulatoru. Skatiet sadaļu par mitruma regulatoru.



PIEZĪME. Apkārtējo relatīvo mitrumu var vienkārši izmērīt ar gaisa sausinātāju.

EKSPLUATĀCIJAS ROKASGRĀMATA

1. Barošanas poga: ar šo pogu var vadīt ierīces ieslēgšanu un izslēgšanu.
2. Mitruma poga: nepieciešamā mitruma iestatīšanai. Lai iestatītu vēlamo mitrumu, nospiediet mitruma taustiņu 5 sekundes, tas parāda apkārtējās vides temperatūru (0 ~ 40 °C) 5 sekundes; Ja jūs nospiedīsiet un turēsiet mitruma pogu, tas visu laiku parāda apkārtējās vides temperatūru. Ja vēlreiz nepiespiedīsiet, automātiski 5 sekundes parādīs NTC sensora temperatūru, tad parādīs apkārtējā gaisa mitrumu.
3. Mitruma iestatījumi: atveriet gaisa izplūdes atveres iestatīto mitrumu

starp 40%, 50%, 60% vai nepārtrauktu režīmu.

4. Taimeris: kad ierīce ir ieslēgta, nospiediet taimeris 2H / 4H / 6H, lai veiktu atpakaļskaitīšanu.
5. darbības laikā tas rāda apkārtējā gaisa mitrumu no 30,31,32 ... 79,80. Ja tas ir < . 30% RH, tas parāda LO; ja tas ir > 80% RH,
6. Sausināšanas režīms var iestatīt mitruma līmeni un ventilatora ātrumu 2

ATMIŅAS FUNKCIJA

1. Nospiediet ieslēgšanas / izslēgšanas pogu (pieslēgtu strāvas kontaktligzdai) un pēc tam vēlreiz nospiediet ieslēgšanas / izslēgšanas pogu, tā darbojas pēc iepriekšējā iestatījuma, bet taimerim un bērnu bloķēšanas funkcijai nav atmiņas.
2. Nav enerģijas, ja darbība ir vienāda ar pēkšņu elektrības padeves pārtraukšanu. Mašīna automātiski darbojas, kad ir jauda un tā atceras iepriekšējo iestatījumu, bet bērnu bloķēšanas funkcijai nav atmiņas.
3. Iekārta automātiski ieslēgsies un darbosies pēdējā iestatījumā pēc strāvas atgriešanās. Tā darbojas sākotnējā noklusējuma iestatījumā mitrināšanas režīma laikā un mitruma iestatījumā par 50% RH ātrdarbībā.

MITRUMA REGULATORS

Wood's gaisa sausinātājs ir aprīkots ar iebūvētu mitruma regulatoru, ar kuru var iestatīt vajadzīgo mitruma līmeni. Regulators reģistrē pašreizējo mitruma līmeni un nodrošina gaisa sausinātāja automātisku ieslēgšanu un izslēgšanu.

ŪDENS NOTECINĀŠANA

Kad ūdens tvertne ir pilna, gaisa sausinātājs automātiski izslēdzas. Pēc ūdens tvertnes iztukšošanas ierīce automātiski atkal ieslēdzas.

1. Atvienojiet gaisa sausinātāju no strāvas avota.
2. Iztukšojiet ūdens tvertni.
3. Ievietojiet ūdens tvertni atpakaļ un pārbaudiet, vai pludiņš kustas brīvi.
4. Pievienojiet gaisa sausinātāju pie strāvas avota.

Tieša ūdens novadišana
Pievienojiet ūdens šļūteni caurulei gaisa sausinātāja aizmugurē. Otru šļūtenes galu novietojiet ūdens noteces vietā.

Nodrošiniet, lai ūdens varētu tecēt lejup.

GAISA FILTRS

Gaisa filtrs novērš putekļu un netīrumu iekļūšanu ierīcē, pagarinot tās paredzēto kalpošanas laiku. Svarīgi ir regulāri tīrīt filtru. Filtra tīrīšana:

1. Izņemiet filtru.
2. Mazgājiet filtru ar siltu ūdeni un maigu tīrīšanas līdzekli. Cita iespēja ir filtru izsūkt ar putekļu sūcēju.
3. Ļaujiet filtram izžūt un ievietojiet to atpakaļ.

ATKAUSĒŠANAS DARBĪBA

Atkausēšanas laikā sausināšanas funkcija var darboties ar pārtraukumiem.

Lūdzu, atkausēšanas laikā neizslēdziet gaisa sausinātāja slēdzi un neatslēdziet kontaktdakšu. Šo gaisa sausinātāju nevar izmantot ļoti zemas temperatūras uzturēšanai.

Šī gaisa sausinātāja izmantošanas mērķis ir izsūknēt nepatīkami lielo mitrumu ikdienā un žāvēt slapjas lietas. Tomēr to nevar izmantot ļoti zemas temperatūras uzturēšanai.

Telpas temperatūra darbības laikā pieaug.

Šim gaisa sausinātājam nav dzesēšanas funkcijas. Darbības laikā tas rada siltumu un paaugstina telpas temperatūru par 1-4 °C. Turklāt durvis un logi ir aizvērti un citas telpā esošās ierīces var uzsilt, kā arī saules starojums var paaugstināt telpas temperatūru.

UZTURĒŠANA

1. Tā kā korpuss ir izgatavots no plastmasas, nelieciet to tiešos saules staros.
2. Uzmaniģi noņemiet ūdens tvertni.
3. Ja ilgstoši nelietojat ierīci. Izsledziet un atvienojiet ierīci no elektrotīkla, iztukšojiet ūdens tvertni, uzglabājiet to sausā un vēdinātā vietā. Visiem tīrīšanas darbiem izmantojiet tikai mīkstu, tīru drānu. Ierīces tīrīšanai nelietojiet benzīnu, krāsu atšķaidītājus vai citas ķīmiskas vielas.
4. Elektrotīkla filtra tīrīšana: notīriet filtru ar putekļu sūcēju vai ūdeni, lai notīrītu, pēc tam novietojiet to vēdināmā vietā, līdz tas ir sauss.

TEHNISKĀ APKOPE

Ja gaisa sausinātājam nepieciešama tehniskā apkope, vispirms jāsaazinās ar

vietējo mazumtirgotāju. Visām garantijas prasībām ir nepieciešams pirkuma apliecinājums.

GLABĀŠANA

Pirms ierīces glabāšanas, lūdzu, veiciet šīs darbības:

1. Pārlicinieties, vai ūdens tvertne ir tukša. Izsledzot ierīci, nodrošiniet tās darbību ventilācijas režīmā vismaz 30 minūtes, lai izvadītu ūdeni no ierīces iekšpuses.
2. Savāciet un satiniet strāvas vadu.
3. Iztīriet filtru.
4. Glabājiet tīrā, sausā vidē.

Visām garantijas prasībām ir nepieciešams pirkuma apliecinājums.

PADOMI

Ja gaisa sausinātāju lieto ļoti mitrā vidē vai temperatūrā zem + 5 °C, tas var pārtraukt

darbu. Uz dzesēšanas spirāles uzkrājas daudz ledus. Izsledziet gaisa sausinātāju un novietojiet to nedaudz virs grīdas līmeņa, lai izkausētu ledu.

Dažreiz var būt noderīgi izmantot pretsasalšanas pārsegu vai sildītāju ar ventilatoru, lai nepieļautu ierīces temperatūras pazemināšanos zem +10 °C. Pat ja MRD20/14 darbojas tik zemā temperatūrā kā +5 °C, augstākā temperatūrā tā jauda pieaug, jo siltais gaiss pārvieto vairāk ūdens.

Hidrostata kļūdas robeža ir aptuveni +/- 5-10%. Zemākā temperatūrā kļūdas robeža var pieaugt.

Lai nodrošinātu augstāko gaisa sausināšanas efektivitāti telpā, ieteicams samazināt gaisa ieplūšanu no ārpuses un blakus esošajām telpām, aizverot durvis un noslēdzot ventilāciju.

Rudenī/vasarā gaisa sausināšanas jauda ir lielāka, jo āra gaiss ir siltāks un mitrāks.

SVARĪGI! - Wood's gaisa sausinātājs ir jāpievieno iezemētam strāvas avotam. Strāvas avotam ir jānodrošina 220-240 V un 50 Hz strāvas padeve

PROBLĒMA	CĒLONIS	RISINĀJUMS
Gaisa sausinātājs nedarbojas	Nav pievienota strāvas padeve	Pārbaudiet, vai gaisa sausinātājs ir pievienots elektrotīklam un nav pārdeguši drošinātāji. Pārbaudiet, vai ūdens tvertne ir tukša un pareizi ievietota gaisa sausinātājā.
Nesavāc mitrumu	Pilna ūdens tvertne. Nepareizi uzstādīta ūdens tvertne. Nosprostots gaisa filtrs. Telpā, kurā darbojas ierīce, ir pārāk zema temperatūra vai relatīvais mitrums.	Iztukšojiet ūdeni no tvertnes. Novietojiet ūdens tvertni pareizā pozīcijā. Iztīriet gaisa filtru. Pārbaudiet, vai gaisa plūsma var viegli cirkulēt caur sausinātāju. Priekšējam režģim un gaisa filtram jābūt tīram un jāatrodas 20 cm attālumā no sienas.
Gaisa sausinātājs darbojas, taču nepietiekami samazina relatīvo mitrumu.	Telpa ir pārāk liela. Pārāk daudz mitruma avotu. Pārmērīga ventilācija	Ieteicams izmantot gaisa sausinātāju ar lielāku jaudu. Ieteicams izmantot gaisa sausinātāju ar lielāku jaudu. Samaziniet ventilāciju (piemēram, aizveriet logus un durvis)
Ja rodas problēmas saistībā ar gaisa sausinātāju, skatiet tālāk norādīto informāciju par problēmu novēršanu. Ja neviens no tālāk norādītajiem risinājumiem problēmu nenovērš, lūdzu, sazinieties ar savu mazumtirgotāju par produkta apkopi.		

Garantija

2 gadu lietotāja garantija pret ražošanas kļūmēm. Lūdzu, ņemiet vērā, ka garantija ir derīga, tikai uzrādot pirkuma čeku. Garantija ir spēkā tikai tad, ja ierīce tiek izmantota atbilstoši šajā rokasgrāmatā sniegtajiem norādījumiem un brīdinājumiem par drošību. Garantija neattiecas uz jebkādiem bojājumiem, kas radušies nepareizas rīcības dēļ ar ierīci.

PIEZĪME. 2 gadu garantija attiecas tikai uz lietošanu mājstaiņniecībās, nevis uz ierīces komerciālu izmantošanu.



PIEZĪME.

Reģistrējieties vietnē www.warranty-woods.com un izlasiet, kā saņemt paplašināto garantiju. Papildinformāciju skatiet vietnē woods.se.

Ieteicamie lietošanas diapazoni

Temp. +5 °C - +35 °C
 Relatīvais mitrums: no 30 % līdz 90 %
 Ieteicamais mitruma līmenis:
 apm. 50 % relatīvā mitruma

TEHNISKIE DATI

	MRD20
Maksimālā telpu platība	70 m ²
Gaisa plūsma	175m ³ /h±10%
Sausināšanas veiktspēja 30 °C temperatūras un 80 % relatīvā mitruma apstākļos	21,1 l/24 h
Jauda 30 °C temperatūras un 80 % relatīvā mitruma apstākļos	315 W±10%
Tvertnes tilpums	3,8 litri
Aukstumaģents	R290
R290 uzpilde	60 g
Spriegums	220-240 V
Skaņas līmenis decibelos	48 dB
Svars	15,5 kg
Izmēri (mm), G x Dz x A	355x252x567

	MRD25
Maksimālā telpu platība	120 m ²
Gaisa plūsma	180m ³ /h±10
Sausināšanas veiktspēja 30 °C temperatūras un 80 % relatīvā mitruma apstākļos	25 l/24 h
Jauda 30 °C temperatūras un 80 % relatīvā mitruma apstākļos	414 W±10%
Tvertnes tilpums	3,8 litri
Aukstumaģents	R290
R290 uzpilde	85 g
Spriegums	220-240 V
Skaņas līmenis decibelos	48 dB
Svars	16 kg
Izmēri (mm), G x Dz x A	355x252x567

*Var tikt veiktas tehniskas izmaiņas un uzlabojumi. Visas vērtības ir aptuvenas un var atšķirties ārēju apstākļu, piemēram, temperatūras, ventilācijas un mitruma, dēļ.



*Šis marķējums norāda, ka ES valstīs šo produktu nedrīkst izmest kopā ar sadzīves atkritumiem. Lai novērstu nekontrolētas atkritumu izmešanas izraisīto iespējamo kaitējumu videi un cilvēku veselībai, izmantojiet produktu atbildīgi, lai veicinātu materiālu resursu ilgtspējīgu izmantošanu. Nododiet ierīci pārstrādei, izmantojot vietējos atgriešanas/savākšanas pakalpojumus, vai sazinieties ar izplatītāju, pie kura iegādājāties izstrādājumu. Mazumtirgotājs var parūpēties par videi drošu produkta pārstrādi.

WOOD'SI ÕHUKUIVATID ON MAAILMA PARIMATE HULGAS

Wood'si õhukuivatid on turuliidrid olnud juba mitmeid aastaid. Need õhukuivatid sobivad kasutamiseks ka kõige karmimates tingimustes, kus nende niiskuskogumise jõudlus on suurem isegi madala temperatuuriga ruumis. Need toimivad tõhusalt niisketes ruumides, näiteks keldris, garaažis või suvilas. Vähesese energiakuluga efektiivselt töötavad õhukuivatid on suurepärased abivahendid pesu, põõningute, ujulade ja pesuruumide kuivatamisel. Need on tõhusad ja madala energiatarbega. Riided peavad õhukuivati kasutamise korral kauem vastu.

Niiskuse kogus, mille õhukuivati ruumi õhust kokku kogub, sõltub ruumi temperatuurist, niiskustasemest ja seadme asukohast. Ka välised ilmaolud võivad õhukuivati töö kvaliteeti mõjutada. Wood'si õhukuivatid töötavad ohutult. Need on ette nähtud püsivaks kasutuseks.

LIIGNE ÕHUNIISKUS ON OHTLIK

Kui õhus leiduv veeaur puutub kokku külma pinnaga, nagu külm aken või sein, muutub see kondensaadiks. Kui veeaur jahtub, tekib kondensaat ja moodustuvad veetilgad. Kui õhus on palju niiskust, muutub õhk röskeks ja võib tekkida hallitus, mis kahjustab hooneid ja mööblit. Selline keskkond võib põhjustada isegi elanikele terviseprobleeme. Niiskes keskkonnas levivad hästi ka lestad ja ämblikud. Suure jõudlusega õhukuivati loob hea ja tervisliku niiskustaseme. Parima tõhususe saavutamiseks tuleks hoida kuivatatava ruumi ukсед ja aknad suletuna. Õhukuivati kõrvaldab ebameeldiva niiskuslõhna, kuivatab puitu ja märjaks saanud varustust.

1. TURVAHOIATUSED



Tuleohtlik materjal. See seade sisaldab kergestisüttivat külmutusagensit R290/propaan.



Ohutusteavet leiate sellest juhendist.



Lugege tehnilist juhendit.



Lugege kasutusjuhendit.

OHUTUSALANE TEAVE

Enne seadme paigaldamist ja kasutamist lugege komplektis olev juhend hoolikalt läbi. Tootja ei ole vastutav, kui vale paigaldus ja kasutus toob kaasa kehavigastusi ning kahjusid. Hoidke kasutusjuhend tulevikus kasutamiseks alati seadme juures.

Laste ja haavatavate isikute ohutus



HOIATUS

Kehavigastuste või püsiva tervisekahjustuse oht. Antud seadet võivad kasutada 8-aastased ja vanemad lapsed ning vähenenud füüsiliste, sensoorsete või vaimsete võimetega isikud või vastavate kogemusteta ja teadmisteta isikud, kui nad teevad seda järelevalve all või neile on õpetatud seadme ohutut kasutamist ning nad mõistavad seonduvaid ohtusid. Ärge laske lastel seadmega mängida.

Alla 3-aastased lapsed tuleb hoida

seadmest eemal, välja arvatud pideva järelevalve puhul. Hoidke kõiki pakendusdetalle lastele kättesaamatult. Lapsed ei tohi ilma järelevalveta seadet puhastada ja hooldada.

Üldine ohutus

Antud seade on mõeldud kasutamiseks majapidamistes ja sellistes kohtades nagu keldrid, vundamendivahed, töötajate kööginurgad poodides, kontorites ning muudes töökohtades. Andmeplaat paikneb õhukuivati taga või küljel. Vältige ventilatsioonivade blokeerimist.

Ärge kasutage sulatuse kiirendamiseks mehaanilisi võtteid või muid meetodeid, mis pole tootja poolt soovitatud. Seadet ei tohi hoiustada ruumis, kus on aktiivsed süttimisallikad (nt lahtine tuli, töötav gaasiseade või töötav elektriline küttekeha). Ärge torgake läbi ega põletage. Võtke arvesse, et külmutusagensid võivad olla lõhnutud. Ärge piserdage seadet puhastamiseks veega ega kasutage auru. Puhastage seadet niiske lapiga. Kasutage ainult neutraalseid pesuvahendeid. Ärge kasutage abrasiivseid tooteid, abrasiivseid puhastuslappe, lahusteid ega metallesemeid. Kui elektritoitejuhe on kahjustatud, peab selle ohu vältimiseks vahetama tootja, tootja volitatud teeninduskeskus või sarnase kvalifikatsiooniga isikud.

OHUTUSJUHISED

Paigaldus
HOIATUS



Antud seadet võib paigaldada ainult kvalifitseeritud isik.

Eemaldage kõik pakendusdetailid. Ärge paigaldage ega kasutage kahjustatud seadet. Seade tuleb paigaldada ja seda kasutada ning hoiustada ruumis, mille pindala on suurem kui 2 m². Järgige seadmega komplektis olevat paigaldusjuhendit. Olge seadme liigutamisel alati ettevaatlik, kuna see on raske. Kandke alati kaitsekindaid.

Kindlustage, et õhk pääseks seadme ümber liikuma. Oodake enne seadme elektritoitega ühendamist vähemalt 4 tundi. See võimaldab õlil tagasi kompressorisse voolata. Ärge paigaldage seadet radiaatorite või muude küttekehade lähedusse. Ärge paigaldage seadet otsese päikesevalguse kätte.

Elektriühendus

HOIATUS



Tulekahju ja elektrilöögi oht. Seade tuleb ühendada maandusega pistikupessa. Veenduge, et elektritoide vastaks andmeplaadil toodud elektriandmetele. Kui mitte, võtke ühendust elektrikuga. Kasutage alati õigesti paigaldatud elektrilöögikindlat pistikupesa. Ärge kasutage jaoturadaptoreid ja pikendusjuhtmeid. Kindlustage, et te ei kahjustaks elektrilisi komponente (nt elektritoitepistik, elektritoitekaabel). Elektriliste komponentede vahetamiseks võtke ühendust volitatud teeninduskeskuse või elektrikuga. Elektritoitejuhe peab jääma elektritoitepistikust madalamale. Ühendage elektritoitepistik pistikupessa alles paigalduse lõpus. Kindlustage, et pärast paigaldamist

oleks võimalik elektritoitepistikule ligi pääseda.

Ärge tõmmake seadme vooluvõrgust lahti ühendamiseks elektritoitekaablist. Tõmmake alati elektritoitepistikust.

Kasutus

HOIATUS



Kehavigastuste, põletuste, elektrilöögi või tulekahju oht. Ärge muutke seadme tehnilisi omadusi.

Olge ettevaatlik, et mitte kahjustada külmutusagensi torustikku. See sisaldab propaani (R290), looduslikku gaasi, millele rakenduvad ranged keskkonnanõuded. See gaas on kergestisüttiv.

Kui külmutusagensi torustik saab vigastada, kindlustage, et ruumis ei oleks lahtist tuld ega süüteallikaid. Öhutage ruumi.

Ärge pange seadme lähedale ega selle peale kergestisüttivaid tooteid ega esemeid, mis on kergestisüttivate vedelikega koos.

Kasutuselt kõrvaldamine

HOIATUS



Kehavigastuste oht. Ühendage seade vooluvõrgust lahti. Eemaldage elektritoitekaabel ja kõrvaldage see kasutuselt. Antud seadme külmutusagensisüsteem on osoonisõbralik. Võtke ühendust vastava kohaliku asutusega, et saada teavet selle kohta, kuidas seade nõuetekohaselt kasutuselt kõrvaldada. Ärge kahjustage jahutusseadme osa, mis paikneb soojusvaheti lähedal.

ÕHUKUIVATI ETTEVALMISTAMINE PAIGALDUSEKS

TÄHTIS TEAVE:

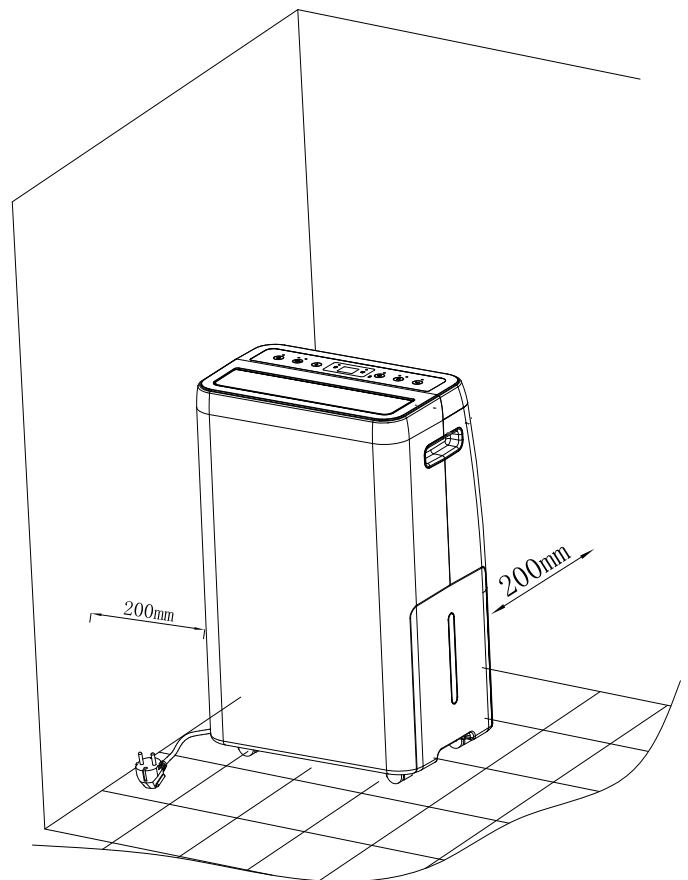
2. Paigaldus

ENNE ESMAKORDSET KASUTAMIST

Laske seadmel enne kasutamist 4 tundi seista
Asukohta valimine

Tähtis

1. Õhukuivati tuleb selle maksimaalse tõhususe huvides paigutada suletud ruumi. Sulgege kõik uksed, aknad ja muud toas leiduvad avaused. Õhukuivati tõhusus sõltub ruumi siseneva uue niiske õhu kogusest.
2. Asetage õhukuivati asukohta, mis ei tõkesta õhuvoolu seadme esiossa.
3. Õhukuivati töö ei mõjuta selle läheduses olevaid suletud ruume või paiku, nt kappe, kui neis ei ole piisavat õhuringlust. Sel puhul võib olla taolistesse kohtadesse tarvilik veel ühe õhukuivati paigaldamine.
4. Veenduge, et seade oleks asetatud stabiilsele ja tasasele pinnale. Kui pind ei ole stabiilne, on oht seadme ebastabiilsuse tekkeks, mis põhjustab liigset vibratsiooni ja vee eraldumist.
5. Õhukuivati ümber peab igas küljes olema vähemalt 20 cm vaba ruumi.



TOOTE KIRJELDUS

3. Toote kirjeldus

A

1. Käepide
2. Juhtpaneel
3. Pealmine kaas
4. Pöördfunktsioon
5. Eesmine korpus

B

1. Õhuvõtuplaat
2. Väljund pidevaks äravooluks
3. Toitejuhe
4. Tagumine korpus
5. Veepaak

C

1. Juhtpaneel

D pilt D (sümbolite pilt juhtpaneelil)

1. Toitenupp: Selle nupuga saab masinat juhtida sisse / välja.
2. Režiimi nupp: Selle nupu abil saab masina töötada kuivrežiimis või õhukuivatusrežiimis (kuivrežiimis kuivab see pidevalt suurima kiiruse korral)
3. Niiskuse nupp: Kuivatusrežiimis saab selle nupuga seada erineva soovitud niiskuse ja vahemik on 50-55-60-65-70-Co-40-45-50-55-60-65-70% RH.
4. Taimerinupp: kui vajutate seda nuppu <0,5 sekundit all, saab töö ajal taimeri väljalülitamise funktsiooni 0H / 1H / 2H / 3H / 4H / 5H / 6H / 7H / 8H välja lülitada.
5. Ventilaatori kiiruse nupp: Selle nupuga saab masina töötada madala või suure kiiruse korral.
6. Kiigunupp: Selle nupu abil saab masina automaatselt pöörata või mitte.
7. Sulatus aktiivne
8. Veeämber täis

9. Lapselukk: Kui vajutate taimeri nuppu 3 sekundit, saab lapseluku funktsiooni sisse või välja lülitada. Lapseluku funktsiooni ajal saab seada ainult taimerit ja sisse- ja väljalülitusnuppe. Lapseluku funktsiooni väljalülitamiseks vajutage seda nuppu veel 3 sekundit uuesti.

E

1. ÜLEMINE JA NUPP Visand masina ülaosas ja all

F

Juhtpaneel

1. Õhukuivati ümber peab igas küljes olema vähemalt 20 cm vaba ruumi.

ÕHUKUIVATI PAIGUTUS

- Õhukuivatit ei tohi asetada radiaatori ega muu kütteseadme kõrvale, sest see võib seadme tööjõudlust vähendada.
- Õhukuivati ideaalne asukoht on keset tuba/ruumi



TÄHELEPANU! Kui kasutate õhukuivatit duširuumis või vannitoas, peab seade olema paigale kinnitatud. Seadet tuleb kontrollida ja kasutada vannitoea elektrilaste nõuete järgi.

ÕHUKUIVATI KASUTAMINE

Kui õhukuivatit transporditakse horisontaalselt, tuleb sellel enne kasutamist lasta 4 tundi seista. On väga oluline, et õli voolaks tagasi kompressorisse, vastasel juhul võib õhukuivati saada tõsiselt kahjustada.

1. Kontrollige, kas veepaak on õigesti paigaldatud.
2. Ühendage õhukuivati maandatud elektritoiteallikasse.
3. Valige niiskuse juhtseadist kasutades soovitud niiskustase. Vt niiskuse juhtseadist puudutatavat jaotist.



TÄHELEPANU! Õhukuivatiga saab hõlpsasti mõõta ümbritsevat suhtelist niiskust.

KASUTUSJUHEND

1. Toitenupp: selle nupuga saab seadet sisse ja välja lülitada.
2. Niiskusennupp: soovitud õhuniiskuse taseme määramiseks. Soovitud õhuniiskuse määramiseks. Vajutage niiskuse nuppu 5 sekundi jooksul, see näitab ümbritsevat temperatuuri (0–40 °C) 5 sekundit; Kui vajutate ja hoidke all niiskuse nuppu, näitab see kogu aeg ümbritsevat temperatuuri. Kui te ei vajuta uuesti, näitab see NTC-anduri temperatuuri automaatselt 5 sekundi jooksul, seejärel ümbritseva

õhuniiskuse.

3. Õhuniiskuse sätted: avage õhu väljalaskeava seadistatud õhuniiskuse vahemikus 40%, 50%, 60% või pidevreežiim.
4. Taimer: Kui seade on sisse lülitatud, vajutage loenduri käivitamiseks taimerit 2H / 4H / 6H.
5. töötamise ajal näitab see ümbritseva õhu niiskust 30,31,32 ... 79,80. Kui see on < 30% RH, see näitab LO; kui see on > 80% suhtelist õhuniiskust,
6. Kuivatusrežiimis saate seada niiskuse taseme ja ventilaatori kiiruse 2

MÄLU FUNKTSIOON

1. Vajutage sisse- / väljalülitusnuppu (pistikupessa ühendatud pistikupesaga) ja seejärel uuesti sisse- / väljalülitusnuppu, see töötab pärast eelmist seadistust, kuid taimeril ja lapselukustusfunktsioonil pole mälu.
2. Toide puudub, kui töö võrdub äkitselt väljalülitamisega. Masin töötab automaatselt, kui toide on olemas ja mäletab eelmist seadistust, kuid lapselukustusfunktsioonil pole mälu.
3. Pärast toite naasmist lülitub seade automaatselt sisse ja töötab viimases seadistuses. Kuivatusrežiimis töötab see algse vaikeseadistuse korral ja suurel kiirusel niiskuse seadmisel 50% RH.

NIISKUSE JUHTSEADIS

Ettevõtte Wood's õhukuivatitel on sisse ehitatud niiskuse juhtseadis, mis seatakse soovitud niiskustasemele. Juhtseadis registreerib hetke niiskustaseme ning tagab õhukuivati automaatse sisse- ja väljalülitamise.

VEE EEMALDAMINE

Kui veepaak saab täis, lülitub õhukuivati automaatselt välja. Kui veepaak on tühjendatud, taaskäivitub seade automaatselt.

1. Eemaldage õhukuivati elektrivõrgust.
2. Tühjendage veepaak.
3. Asetage tühi veepaak tagasi ja veenduge, et ujuk liiguks vabalt.
4. Ühendage õhukuivati elektritoiteallikaga.

Vee otsene äravool
Ühendage veevoolik õhukuivati tagaküljel asuva toruga. Juhtige teine ots äravoolu. Veenduge, et vee äravool oleks suunaga allapoole.

ÕHUFILTER

Õhufilter hoiab ära tolmu ja mustuse sattumise masinasse, pikendades selle eluiga. On oluline, et filtrit puhastataks regulaarselt. Filtri puhastamiseks tehke järgmist.

1. Eemaldage filter.
2. Peske seda sooja veega ja õrnatoimelise puhastusainega. Filtri võib puhastada ka tolmuimejaga.
3. Laske filtril kuivada ja asetage see tagasi õhukuivatisse.

SULATAMINE

Sulatamistoimingu ajal võib kuivatusfunktsioon olla katkendlik.

Sulatamistoimingu ajal ärge lülitage kuivatit välja ega eemaldage toitejuhet. Seda õhukuivatit ei saa kasutada väga madalal temperatuuril.

Õhukuivati otstarve on pumbata välja ebameeldivalt suurt niiskust igapäevaelus ja kuivatada märgi esemeid. Seda aga ei saa kasutada väga madala temperatuuri hoidmiseks.

Seadme töötamise ajal tõuseb toatemperatuur.

Õhukuivatil ei ole jahutusfunktsiooni. See tekitab soojust ja võib toatemperatuuri tõsta 1–4 °C. Peale selle on ukсед ja aknad suletud, soojust võivad kiirata ka muud ruumis olevad seadmed ning ruumi temperatuuri võib tõsta ka päikesekiirgus.

Hooldus ja puhastamine

1. Kuna ümbris on valmistatud plastikust, ärge asetage seda otsese päikesevalguse kätte.
2. Eemaldage veepaak ettevaatlikult.
3. Kui te ei kasuta seadet pikka aega. Lülitage seade välja ja eemaldage pistikust, tühjendage veepaak, hoidke seda kuivas ja ventileeritavas kohas. Puhastamiseks kasutage ainult pehmet puhast lappi. Ärge kasutage seadme puhastamiseks bensiini, värvivedeldajaid ega muid kemikaale.
4. Voolufiltri puhastamine: Eemaldage filter puhastamiseks tolmuimeja või veega, seejärel asetage see ventileeritavasse kohta, kuni see on kuiv.

REMONT

Kui õhukuivatit on vaja remontida, pöörduge esmalt oma kohaliku jaemüüja poole. Garantii kehtib vaid ostu

tõendavate dokumentide esitamise korral.

HOIUSTAMINE

Enne seadme hoiustamist, järgige neid samme:

1. Veenduge, et veepaak on tühi. Kui seade on sisse lülitatud, veenduge, et seade töötab Ventilatsioonirežiimis vähemalt 30 minutit, et eemaldada vesi seadme sees.
2. Pakkige ja eemaldage seadme toitejuhe.
3. Puhastage filter.
4. Hoiustage seadet puhtas ja kuivas keskkonnas.

Garantii kehtib vaid ostu tõendavate dokumentide esitamise korral.

NÄPUNÄITED

Kui kasutate õhukuivatit väga niiskes ruumis või ruumi temperatuur on alla +5 °C, võib kuivatit välja lülitada.

Jahutusradiaatorile tekib palju jääd. Lülitage õhukuivatit välja ja asetage põrandapinnast veidi kõrgemale. Tekkinud jää sulab ära.

Mõnikord on kasulik kasutada jäätumisvastast vahendit või soojapuhurit, et ruumi temperatuur ei langeks alla +10 °C. Kuigi MRD20/14 töötab temperatuuril +5 °C, suureneb seadme töövõime kõrgematel temperatuuridel, kuna soe õhk sisaldab rohkem vett.

Hüdrostaadi mõõtmisviga on ligikaudu ±5–10%. Madalamatel temperatuuridel võib mõõtmisviga olla suurem.

Maksimaalse kuivatusvõimsuse saavutamiseks soovime vähendada õuest ja külgnevatest ruumidest tulevat õhuvoolu, sulgedes ruumis ukсед ja ventilaatorid.

Sügisel/suvel on kuivatusvõime suurem, kuna välisõhk on soojem ja niiskem.

TÄHTIS! - Wood'si õhukuivatit tuleb ühendada maandatud toiteallikaga. Toiteallikas peab olema 220–240 V, 50 Hz

PROBLEEM	PÕHJUS	LAHENDUS
Õhukuivatit ei tööta	Toide pole ühendatud	Kontrollige, et õhukuivatit oleks ühendatud elektrivõrku ja kaitsmed ei oleks läbi põlenud. Kontrollige, kas veepaak on tühi ja õigesti kuivatisse asetatud.
Seade ei kogu niiskust	Veepaak on täis. Veepaak ei ole õigesti tagasi asetatud. Õhufilter on ummistunud. Temperatuur või suhteline õhuniiskus ruumis, kus seade töötab, on liiga madal.	Eemaldage paagist vesi. Seadke veepaak õigesti asendisse. Puhastage õhufilter. Kontrollige, kas õhuvool saab hõlpsalt läbi kuivatit ringelda. Esivõre ja õhufilter peavad olema puhtad ning õhukuivatit peab asetsema vähemalt 20 cm kaugusel seinast.
Õhukuivatit töötab, kuid vähendab suhtelist õhuniiskust ebapiisavalt.	Ruum on liiga suur. Niiskusallikaid on liiga palju. Liiga tugev tuuletõmme.	Soovitame kasutada suurema võimsusega õhukuivatit. Soovitame kasutada suurema võimsusega õhukuivatit. Vähendage tuuletõmme (nt sulgege aknad ja ukсед.)
Kui teil tekib õhukuivatit kasutamisel probleeme, lugege veaotsingu peatükki. Kui ükski nimetatud lahendustest ei toimi, pöörduge toote parandamiseks oma jaemüüja poole.		

Garantiid

2-aastane tarbijagarantii tootmisvigade korral. Pange tähele, et garantii kehtib ainult kviitungi esitamisel. Garantii kehtib ainult juhul, kui toodet kasutatakse käesolevas juhendis esitatud juhiste ja turvahoiatuste kohaselt. Garantii ei kata kahjustusi, mis on põhjustatud toote väärast käitlemisest.

TÄHELEPANU! 2-aastane garantii kehtib ainult tarbijatele, mitte seadme ärikasutuse korral.



TÄHELEPANU!

Registreeruge aadressil www.warranty-woods.com ja lugege, kuidas saada pikendatud garantiid. Rohkem teavet leiate kodulehelt www.woods.se.

Soovituslikud kasutustingimused

Temperatuurivahemik 5–35 °C

Suhtelise õhuniiskuse tase: 30% kuni 90%

Soovituslik õhuniiskuse tase:

ligikaudu 50% suhtelist õhuniiskust

TEHNILISED ANDMED

	MRD20
Ruumi max pindala	70 m ²
Õhuvool	175m ³ /h±10%
Tootlikkus 30 °C ja 80% suhtelise õhuniiskuse juures	21,1 l / 24 h
Võimsus 30 °C ja 80% suhtelise õhuniiskuse juures	315 W±10%
Paagi maht	3,8liitrit
Külmutusagens	R290
R290 kogus	60 g
Pinge	220–240 V
Müratase	48 dB
Mass	15,5 kg
Mootmed (mm), P × L × K	355x252x567

	MRD25
Ruumi max pindala	120 m ²
Õhuvool	180m ³ /h±10%
Tootlikkus 30 °C ja 80% suhtelise õhuniiskuse juures	25 l / 24 h
Võimsus 30 °C ja 80% suhtelise õhuniiskuse juures	414 W±10%
Paagi maht	3,8liitrit
Külmutusagens	R290
R290 kogus	85 g
Pinge	220–240 V
Müratase	48dB
Mass	16 kg
Mootmed (mm), P × L × K	355x252x567

* Tootja võib teha tehnilisi muudatusi ja täiustusi. Kõik väärtused on ligikaudsed ning võivad varieeruda olenevalt välistest teguritest, nagu temperatuur, ventilatsioon ja niiskus.



*See märgistus näitab, et seda toodet ei tohi kogu ELis visata muude olmejäätmete hulka. Et vältida kontrollimata jäätmete kõrvaldamisest tekkida võivat kahju keskkonnale või inimeste tervisele, suunake see vastutustundlikult ümbertöötlemisse, et edendada oluliste ressursside säästvat taaskasutamist. Seadme tagastamiseks meile kasutage tagastamis- ja kogumissüsteeme või võtke ühendust jaemüüjaga, kellelt toode osteti. Neil on võimalik suunata toode keskkonnaohutult taaskasutusse.

Ο ΑΦΥΓΡΑΝΤΗΡΑΣ ΤΗΣ WOOD'S ΕΙΝΑΙ ΕΝΑΣ ΑΠΟ ΤΟΥΣ ΚΟΡΥΦΑΙΟΥΣ ΑΦΥΓΡΑΝΤΗΡΕΣ ΣΤΟΝ ΚΟΣΜΟ

Ο αφυγραντήρας της Wood's είναι γνωστός ως ηγέτης της αγοράς εδώ και πολλά χρόνια. Οι αφυγραντήρες της εταιρείας είναι κατάλληλοι για χρήση στα πιο απαιτητικά κλίματα, όπου η ικανότητα αφύγρανσης είναι καλή ακόμη και σε διαφορετικές θερμοκρασίες και επίπεδα υγρασίας. Χρησιμοποιούνται με καλά αποτελέσματα σε χώρους όπου αναπτύσσεται υγρασία, όπως κελάρια, γκαράζ ή εξοχικά. Είναι επίσης εξαιρετικοί για στέγνωμα μπουγάδας, σοφίτες, χώρους πισίνας και πλυντήρια. Είναι αποδοτικοί με χαμηλή κατανάλωση ενέργειας. Δεν φθείρουν τα ρούχα.

Η ποσότητα της υγρασίας που αφαιρεί ο αφυγραντήρας εξαρτάται από τη θερμοκρασία, το επίπεδο υγρασίας και τη θέση του. Οι εξωτερικές καιρικές συνθήκες μπορεί επίσης να επηρεάσουν την απόδοση του αφυγραντήρα. Οι αφυγραντήρες της Wood's παρέχουν ασφαλή λειτουργία και προορίζονται για πολυετή χρήση.

ΥΠΕΡΒΟΛΙΚΗ ΑΤΜΟΣΦΑΙΡΙΚΗ ΥΓΡΑΣΙΑ - ΕΝΑΣ ΚΙΝΔΥΝΟΣ

Η συμπύκνωση συμβαίνει όταν ο ατμός του νερού στον αέρα έρχεται σε επαφή με μια ψυχρή επιφάνεια, όπως κρύο παράθυρο ή τοίχο. Όταν ψύχεται ατμός νερού, εμφανίζεται συμπύκνωση και σχηματίζονται σταγόνες νερού. Σε υψηλή υγρασία στον αέρα, ο αέρας μπορεί να γίνει μουχλιασμένος και μούχλα να σχηματιστεί, προκαλώντας ζημιά σε ένα σπίτι και την επίπλωσή του. Αυτό το περιβάλλον μπορεί να προκαλέσει ακόμη και ασθένεια για τους κατοίκους. Τα ακάρεα και οι αράχνες αναπτύσσονται επίσης σε ένα υγρό περιβάλλον. Ένας αφυγραντήρας με υψηλή απόδοση δημιουργεί ένα καλό, υγιές επίπεδο υγρασίας. Για μεγαλύτερη αποδοτικότητα, οι πόρτες και τα παράθυρα των δωματίων στα οποία λειτουργία ο αφυγραντήρας θα πρέπει να διατηρούνται κλειστά. Αφαιρεί τις οσμές, στεγνώνει το ξύλο και αφαιρεί την υγρασία από εξοπλισμό δραστηριοτήτων σε εξωτερικό χώρο.

1. ΠΡΟΕΙΔΟΠΟΙΗΣΕΙΣ ΑΣΦΑΛΕΙΑΣ



Εύφλεκτο υλικό. Αυτή η συσκευή περιέχει R290/προπάνιο, ένα εύφλεκτο ψυκτικό μέσο.



Ανατρέξτε σε αυτό το εγχειρίδιο για πληροφορίες σχετικά με την ασφάλεια.



Διαβάστε το τεχνικό εγχειρίδιο



Διαβάστε το εγχειρίδιο χειριστή.

ΠΛΗΡΟΦΟΡΙΕΣ ΓΙΑ ΤΗΝ ΑΣΦΑΛΕΙΑ

Πριν από την εγκατάσταση και τη χρήση της συσκευής, διαβάστε προσεκτικά τις παρεχόμενες οδηγίες. Ο κατασκευαστής δεν ευθύνεται σε περίπτωση πρόκλησης τραυματισμού και ζημιών λόγω εσφαλμένης εγκατάστασης και χρήσης. Φυλάσσετε πάντα τις οδηγίες μαζί με τη συσκευή για μελλοντική παραπομπή.

Ασφάλεια για τα παιδιά και τα ευάλωτα άτομα

ΠΡΟΕΙΔΟΠΟΙΗΣΗ



Κίνδυνος τραυματισμού ή μόνιμης αναπηρίας.

Αυτή η συσκευή μπορεί να χρησιμοποιηθεί από παιδιά ηλικίας 8 ετών και άνω και άτομα με μειωμένη σωματική, αισθητηριακή ή διανοητική ικανότητα ή με έλλειψη εμπειρίας και γνώσης, υπό την επίβλεψη τρίτων ή εάν έχουν λάβει οδηγίες σχετικά με τη χρήση της συσκευής με ασφαλή τρόπο και



έχουν κατανοήσει τους κινδύνους που σχετίζονται με τη χρήση της. Μην αφήνετε τα παιδιά να παίζουν με τη συσκευή.

Τα παιδιά ηλικίας κάτω των 3 ετών θα πρέπει να παραμένουν σε απόσταση, εκτός εάν εποπτεύονται συνεχώς. Κρατήστε όλες τις συσκευασίες μακριά από τα παιδιά. Ο καθαρισμός και η συντήρηση δεν θα πρέπει να γίνεται από παιδιά χωρίς επίβλεψη.

Γενική ασφάλεια

Αυτή η συσκευή προορίζεται για χρήση σε οικιακές και παρόμοιες εφαρμογές, όπως: υπόγεια, κουζίνες προσωπικού σε καταστήματα, γραφεία και άλλα περιβάλλοντα εργασίας. Η πινακίδα των τεχνικών χαρακτηριστικών βρίσκεται στο πίσω μέρος του αφυγραντήρα. Διατηρήστε καθαρά τα ανοίγματα εξαερισμού και χωρίς παρεμπόδιση.

Μην χρησιμοποιείτε μηχανικές συσκευές ή άλλα μέσα για να επιταχύνετε τη διαδικασία απόψυξης, εκτός από αυτά που συνιστώνται από τον κατασκευαστή. Η συσκευή δεν πρέπει να φυλάσσεται σε χώρους με πηγές ανάφλεξης σε λειτουργία (για παράδειγμα: ακάλυπτες φλόγες, συσκευές φυσικού αερίου σε λειτουργία ή ηλεκτρικές θερμάστρες σε λειτουργία). Μην τρυπήσετε ή κάψετε.

Να γνωρίζετε ότι τα ψυκτικά μέσα μπορεί να μην γίνουν αντιληπτά μέσω της οσμής. Μην χρησιμοποιείτε ψεκαστές νερού και ατμού για τον καθαρισμό της συσκευής. Καθαρίστε τη συσκευή με ένα υγρό μαλακό πανί. Χρησιμοποιείτε μόνο ουδέτερα απορρυπαντικά. Μην χρησιμοποιείτε λειαντικά προϊόντα, λειαντικά σφουγγαράκια καθαρισμού, διαλύτες ή μεταλλικά αντικείμενα.

Εάν το καλώδιο τροφοδοσίας έχει φθαρεί, πρέπει να αντικατασταθεί από τον κατασκευαστή, το εξουσιοδοτημένο κέντρο σέρβις του ή άτομα αναλόγως εξειδικευμένα, προκειμένου να αποφευχθεί οποιοσδήποτε κίνδυνος.

ΟΔΗΓΙΕΣ ΑΣΦΑΛΕΙΑΣ

Εγκατάσταση

ΠΡΟΕΙΔΟΠΟΙΗΣΗ



Η εγκατάσταση της συσκευής πρέπει να γίνεται μόνο από εξειδικευμένα άτομα.

Αφαιρέστε όλες τις συσκευασίες. Μην εγκαθιστάτε ή χρησιμοποιείτε μια κατεστραμμένη συσκευή. Η συσκευή πρέπει να εγκαθίσταται, να λειτουργεί και να φυλάσσεται σε χώρους με εμβαδόν μεγαλύτερο από 2 m². Τηρείτε τις οδηγίες εγκατάστασης που παρέχονται με τη συσκευή.

Να είστε πάντα προσεκτικοί όταν μετακινείτε τη συσκευή επειδή είναι βαριά. Πάντα να φοράτε γάντια ασφαλείας.

Βεβαιωθείτε ότι ο αέρας μπορεί να κυκλοφορεί γύρω από τη συσκευή. Περιμένετε τουλάχιστον 4 ώρες πριν συνδέσετε τη συσκευή στην τροφοδοσία ρεύματος. Αυτό πρέπει να τηρηθεί ώστε να επιστρέψει το λάδι στον συμπιεστή. Μην εγκαθιστάτε τη συσκευή κοντά σε θερμαντικά σώματα ή άλλες πηγές θερμότητας. Μην εγκαθιστάτε τη συσκευή εκεί όπου υπάρχει άμεσο ηλιακό φως.

Ηλεκτρική σύνδεση

ΠΡΟΕΙΔΟΠΟΙΗΣΗ



Κίνδυνος πυρκαγιάς και ηλεκτροπληξίας.

Η συσκευή πρέπει να συνδέεται σε γειωμένη πρίζα.

Βεβαιωθείτε ότι τα ηλεκτρολογικά στοιχεία στην πινακίδα των τεχνικών

χαρακτηριστικών ταιριάζουν με την τροφοδοσία ρεύματος. Αν όχι, επικοινωνήστε με έναν ηλεκτρολόγο. Να χρησιμοποιείτε πάντα μια σωστά εγκατεστημένη αντικραδασμική πρίζα.

Μην χρησιμοποιείτε πολύμπριζα και καλώδια επέκτασης ή μπαλαντέζες. Φροντίστε να μην προκαλέσετε βλάβη στα ηλεκτρικά εξαρτήματα (π.χ. βύσμα τροφοδοσίας, καλώδιο τροφοδοσίας).

Επικοινωνήστε με το εξουσιοδοτημένο κέντρο σέρβις ή έναν ηλεκτρολόγο για να αλλάξετε τα ηλεκτρικά εξαρτήματα.

Το καλώδιο τροφοδοσίας πρέπει να παραμείνει κάτω από το επίπεδο του βύσματος τροφοδοσίας.

Συνδέστε το βύσμα τροφοδοσίας στην πρίζα τροφοδοσίας μόνο στο τέλος της εγκατάστασης.

Βεβαιωθείτε ότι υπάρχει πρόσβαση στο βύσμα τροφοδοσίας μετά την εγκατάσταση.

Μην τραβάτε το καλώδιο τροφοδοσίας για να αποσυνδέσετε τη συσκευή. Να τραβάτε πάντα το βύσμα.

Χρήση

ΠΡΟΕΙΔΟΠΟΙΗΣΗ



Κίνδυνος τραυματισμού, εγκαυμάτων, ηλεκτροπληξίας ή πυρκαγιάς.

Μην αλλάζετε την προδιαγραφή αυτής της συσκευής.

Προσέξτε να μην προκαλέσετε βλάβη στο κύκλωμα του ψυκτικού μέσου. Περιέχει προπάνιο (R290), ένα φυσικό αέριο με υψηλό επίπεδο περιβαλλοντικής συμβατότητας. Το αέριο αυτό είναι εύφλεκτο.

Εάν προκληθεί ζημιά στο κύκλωμα του ψυκτικού μέσου, βεβαιωθείτε ότι δεν υπάρχουν φλόγες και άλλες πηγές ανάφλεξης στο χώρο. Αερίστε το χώρο.

Μην βάζετε εύφλεκτα προϊόντα ή αντικείμενα που έχουν βραχεί με εύφλεκτα προϊόντα, κοντά ή πάνω στη συσκευή.

Απόρριψη

ΠΡΟΕΙΔΟΠΟΙΗΣΗ



Κίνδυνος τραυματισμού.

Αποσυνδέστε τη συσκευή από την τροφοδοσία ρεύματος.

Κόψτε το καλώδιο ρεύματος και απορρίψτε το. Το κύκλωμα του ψυκτικού μέσου αυτής της συσκευής είναι φιλικό προς το όζον. Επικοινωνήστε με τη δημοτική αρχή για πληροφορίες σχετικά με τη σωστή απόρριψη της συσκευής. Μην προκαλείτε βλάβη στο τμήμα της ψυκτικής μονάδας που βρίσκεται κοντά στον εναλλάκτη θερμότητας.

ΡΥΘΜΙΣΤΕ ΤΟΝ ΑΦΥΓΡΑΝΤΗΡΑ ΓΙΑ ΤΗΝ ΕΓΚΑΤΑΣΤΑΣΗ

ΣΗΜΑΝΤΙΚΟ:

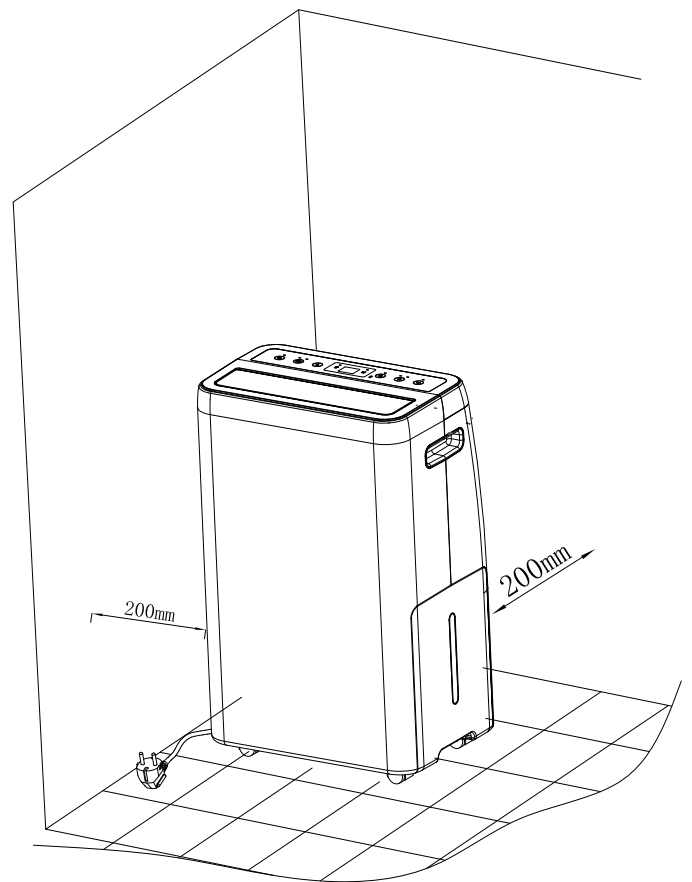
2. Εγκατάσταση

ΠΡΙΝ ΑΠΟ ΤΗΝ ΠΡΩΤΗ ΧΡΗΣΗ

Αφήστε το μηχάνημα σε όρθια θέση για 4 ώρες πριν από τη χρήση
Επιλογή θέσης

Σημαντικό

1. Ο αφυγραντήρας πρέπει να λειτουργεί σε κλειστό χώρο για να είναι πιο αποτελεσματικός. Κλείστε όλες τις πόρτες, τα παράθυρα και άλλα ανοίγματα στο δωμάτιο. Η αποτελεσματικότητα του αφυγραντήρα εξαρτάται από τον ρυθμό με τον οποίο φρέσκος και γεμάτος υγρασία αέρας εισέρχεται στο δωμάτιο.
2. Τοποθετήστε τον αφυγραντήρα σε μια θέση που δεν περιορίζει τη ροή αέρα μέσα από το μπροστινό μέρος της μονάδας.
3. Ένας αφυγραντήρας που λειτουργεί σε ένα δωμάτιο θα έχει ελάχιστη ή καθόλου επίδραση στην αφύγρανση ενός γειτονικού κλειστού χώρου αποθήκευσης, όπως μια ντουλάπα, εκτός αν υπάρχει επαρκής κυκλοφορία του αέρα μέσα και έξω από την περιοχή. Μπορεί να είναι απαραίτητο να εγκαταστήσετε ένα δεύτερο αφυγραντήρα στην κλειστή περιοχή για ικανοποιητική αφύγρανση.
4. Βεβαιωθείτε ότι η μονάδα τοποθετείται σε σταθερή και επίπεδη επιφάνεια. Εάν η επιφάνεια δεν είναι σταθερή υπάρχει κίνδυνος η μονάδα να είναι ασταθής και να προκαλέσει υπερβολικές δονήσεις, με αποτέλεσμα την έκλυση νερού.
5. Ο αφυγραντήρας πρέπει να απέχει τουλάχιστον 20 εκ. από οποιοδήποτε άλλο αντικείμενο.



ΠΕΡΙΓΡΑΦΗ ΠΡΟΪΟΝΤΟΣ

3. Περιγραφή προϊόντος

A

1. Λαβή
2. Πίνακας ελέγχου
3. Επάνω καπάκι
4. Λειτουργία ταλάντευσης
5. Εμπρός περίβλημα

B

1. Διάφραγμα αέρα
2. Συνεχής σωλήνας αποστράγγισης
3. Καλώδιο τροφοδοσίας
4. Πίσω περίβλημα
5. Δοχείο νερού

C

1. Πίνακας ελέγχου

D Εικόνα D (Εικόνα συμβόλων στον πίνακα ελέγχου)

1. Κουμπί λειτουργίας: Αυτό το κουμπί μπορεί να ελέγξει το μηχάνημα ενεργοποιημένο / απενεργοποιημένο.
2. Κουμπί λειτουργίας: Αυτό το κουμπί μπορεί να ρυθμίσει το μηχάνημα να λειτουργεί σε κατάσταση ξηρής ή αφυγραντικής λειτουργίας. (Κατά τη διάρκεια της λειτουργίας ξηρού, αφυδατώνεται συνεχώς με την υψηλότερη ταχύτητα)
3. Κουμπί υγρασίας: Κατά τη λειτουργία αφύγρανσης, αυτό το κουμπί μπορεί να ορίσει διαφορετική επιθυμητή υγρασία και το εύρος είναι 50-55-60-65-70-Co-40-45-50-55-60-65-70% RH.
4. Κουμπί χρονοδιακόπτη: Κατά τη λειτουργία, εάν πατήσετε αυτό το κουμπί για <0,5 δευτερόλεπτα, μπορεί να απενεργοποιήσει τη λειτουργία χρονοδιακόπτη 0H / 1H / 2H / 3H / 4H / 5H / 6H / 7H / 8H για λειτουργία αντίστροφης μέτρησης.
5. Κουμπί ταχύτητας ανεμιστήρα: Αυτό το κουμπί μπορεί να ρυθμίσει το μηχάνημα να λειτουργεί με χαμηλή ή υψηλή ταχύτητα.
6. Κουμπί Swing: Αυτό το κουμπί μπορεί να ρυθμίσει το μηχάνημα να περιστρέφεται αυτόματα ή όχι.

7. Η απόψυξη είναι ενεργή
8. Γεμάτο κουβά με νερό
9. Κλειδώμα παιδιών: Εάν πατήσετε το κουμπί χρονοδιακόπτη για 3 δευτερόλεπτα, μπορεί να ενεργοποιήσει ή να απενεργοποιήσει τη λειτουργία κλειδώματος παιδιών. Κατά τη λειτουργία κλειδώματος παιδιού, μπορούν να ρυθμιστούν μόνο τα χρονόμετρα και τα κουμπιά ενεργοποίησης / απενεργοποίησης. Απλώς πατήστε ξανά αυτό το κουμπί για 3 δευτερόλεπτα για να απενεργοποιήσετε τη λειτουργία κλειδώματος παιδιών.

E

Πίνακας ελέγχου

1. Κορυφή και κουμπί
Σκίτσο στην κορυφή και κάτω από το μηχάνημα

F

Πίνακας ελέγχου

1. Ο αφυγραντήρας πρέπει να απέχει τουλάχιστον 20 εκ. από οποιοδήποτε άλλο αντικείμενο.

ΤΟΠΟΘΕΤΗΣΗ ΑΦΥΓΡΑΝΤΗΡΑ

- Ο αφυγραντήρας δεν πρέπει να τοποθετείται κοντά σε θερμαντικά σώματα ή άλλες πηγές θερμότητας ή να εκτίθεται στο άμεσο ηλιακό φως, καθώς έτσι μειώνεται η απόδοσή του.



- Το ιδανικό είναι να τοποθετηθεί στο κέντρο του δωματίου/χώρου.

ΣΗΜΕΙΩΣΗ: Όταν τοποθετείται σε χώρο ντους ή λουτρού, ο αφυγραντήρας πρέπει να στερεώνεται σε σταθερή θέση. Είναι υποχρεωτικό να ελέγχετε και να σέβεστε τους τοπικούς κανονισμούς ηλεκτρισμού για χώρους λουτρών πριν από τη χρήση.

ΧΡΗΣΗ ΤΟΥ ΑΦΥΓΡΑΝΤΗΡΑ

Εάν ο αφυγραντήρας μεταφέρεται οριζοντίως, αφήστε τον σε όρθια θέση για 4 ώρες πριν τον χρησιμοποιήσετε. Είναι πολύ σημαντικό το λάδι να επιστρέψει πίσω στο συμπιεστή, διαφορετικά ο αφυγραντήρας μπορεί να υποστεί σοβαρή ζημιά.

1. Ελέγξτε ότι το δοχείο νερού είναι σωστά τοποθετημένο.
2. Συνδέστε τον αφυγραντήρα σε γειωμένη παροχή ενέργειας.
3. Ρυθμίστε το επιθυμητό επίπεδο υγρασίας μέσω του ελέγχου υγρασίας. Ανατρέξτε στην ενότητα για τον έλεγχο υγρασίας.



ΣΗΜΕΙΩΣΗ: Η σχετική υγρασία περιβάλλοντος μπορεί να μετρηθεί με τον αφυγραντήρα.

ΕΓΧΕΙΡΙΔΙΟ ΛΕΙΤΟΥΡΓΙΑΣ

1. Κουμπί τροφοδοσίας: Αυτό το κουμπί ενεργοποιεί και απενεργοποιεί τη συσκευή.
2. Κουμπί υγρασίας: Για να ρυθμίσετε την επιθυμητή υγρασία Για να ρυθμίσετε την επιθυμητή υγρασία. Πατήστε το κουμπί υγρασίας για 5 δευτερόλεπτα, δείχνει τη θερμοκρασία περιβάλλοντος (0 ~ 40 °C) για 5 δευτερόλεπτα. Εάν πατήσετε και κρατήσετε πατημένο το κουμπί υγρασίας, δείχνει τη θερμοκρασία περιβάλλοντος όλη την ώρα. Εάν δεν πατήσετε ξανά, εμφανίζει αυτόματα τη θερμοκρασία του αισθητήρα NTC

- για 5 δευτερόλεπτα τότε, δείχνει υγρασία περιβάλλοντος.
3. Ρυθμίσεις υγρασίας: Ανοίξτε την υγρασία ρύθμισης εξόδου αέρα μεταξύ 40%, 50%, 60% ή συνεχούς λειτουργίας.
4. Χρονοδιακόπτης: Όταν η συσκευή είναι ενεργοποιημένη, πατήστε το Χρονοδιακόπτη 2H / 4H / 6H για να εκτελέσετε μια αντίστροφη μέτρηση.
5. κατά τη λειτουργία, δείχνει τη υγρασία περιβάλλοντος από 30,31,32 · 79,80. Εάν είναι < . 30% RH, δείχνει LO. εάν είναι > 80% RH,
6. Λειτουργία αφύγρανσης που μπορείτε να ορίσετε το επίπεδο υγρασίας και την ταχύτητα του ανεμιστήρα 2 επίπεδα

ΛΕΙΤΟΥΡΓΙΑ ΜΝΗΜΗΣ

1. Πατήστε το κουμπί ενεργοποίησης / απενεργοποίησης (συνδεδεμένη υποδοχή τροφοδοσίας inot) και στη συνέχεια πατήστε ξανά το κουμπί ενεργοποίησης / απενεργοποίησης, λειτουργεί σύμφωνα με την προηγούμενη ρύθμιση, αλλά η λειτουργία χρονοδιακόπτη και παιδικού κλειδώματος δεν έχει μνήμη.
2. Δεν υπάρχει ισχύς όταν η λειτουργία ισοδυναμεί με απενεργοποίηση ξαφνικά το μηχάνημα λειτουργεί αυτόματα όταν υπάρχει ρεύμα και θυμάται την προηγούμενη ρύθμιση, αλλά η λειτουργία παιδικού κλειδώματος δεν έχει μνήμη.
3. Η μονάδα θα ενεργοποιηθεί αυτόματα και θα λειτουργεί στην τελευταία ρύθμιση μετά την επιστροφή ισχύος .. Λειτουργεί υπό την αρχική προεπιλεγμένη ρύθμιση κατά τη λειτουργία αφυγραντήσεως και λειτουργεί υπό ρύθμιση υγρασίας κατά 50% RH σε υψηλή ταχύτητα.

ΛΕΙΤΟΥΡΓΙΑ ΠΡΟΣΤΑΣΙΑΣ ΣΥΜΠΙΕΣΤΗ

Η μονάδα είναι εξοπλισμένη με λειτουργία προστασίας συμπιεστή - δηλαδή, ο συμπιεστής έχει περίοδο πέντε λεπτών μεταξύ της έναρξης λειτουργίας και του τερματισμού λειτουργίας.

ΑΠΟΣΤΡΑΓΓΙΣΗ

Όταν το δοχείο νερού είναι πλήρες, ο αφυγραντήρας απενεργοποιείται αυτόματα. Μόλις αδειάσει ο κάδος του νερού, η μονάδα θα επανεκκινήσει αυτόματα.

1. Αποσυνδέστε τον αφυγραντήρα από την παροχή ρεύματος.
2. Αδειάστε το δοχείο νερού.

3. Επιστρέψτε στη θέση του το άδειο δοχείο νερού και ελέγξε ότι ο πλωτήρας κινείται ελεύθερα.
4. Συνδέστε τον αφυγραντήρα στην παροχή ρεύματος.

Άμεση αποστράγγιση

Συνδέστε ένα εύκαμπτο σωλήνα νερού στον σωλήνα στο πίσω μέρος του αφυγραντήρα. Οδηγήστε το άλλο άκρο σε αποχέτευση. Βεβαιωθείτε ότι το νερό αδειάζει προς τα κάτω.

ΦΙΛΤΡΟ ΑΕΡΑ

Το φίλτρο αέρα αποτρέπει την είσοδο της σκόνης και ακαθαρσιών στη συσκευή, παρατείνοντας το προσδόκιμο ζωής της. Είναι σημαντικό το φίλτρο καθαρίζεται τακτικά. Καθαρισμός φίλτρου:

1. Αφαιρέστε το φίλτρο.
2. Πλύνετε το φίλτρο με ζεστό νερό και ένα ήπιο καθαριστικό. Εναλλακτικά, μπορείτε να καθαρίσετε το φίλτρο με ηλεκτρική σκούπα.
3. Αφήστε το φίλτρο να στεγνώσει και τοποθετήστε το ξανά στη θέση του.

ΛΕΙΤΟΥΡΓΙΑ ΑΠΟΨΥΞΗΣ

Κατά τη διάρκεια της λειτουργίας απόψυξης, η λειτουργία αφύγρανσης ενδέχεται να διακοπεί.

Μην κλείνετε τον διακόπτη ή τραβάτε το βύσμα τροφοδοσίας του αφυγραντήρα κατά τη διάρκεια της λειτουργίας απόψυξης. Δεν υπάρχει δυνατότητα χρήσης του αφυγραντήρα για τη διατήρηση πολύ χαμηλής θερμοκρασίας.

Σκοπός του αφυγραντήρα είναι να απομακρύνει τη δυσάρεστη υψηλή υγρασία και να στεγνώνει υγρά αντικείμενα. Δεν μπορεί να χρησιμοποιηθεί για τη διατήρηση πολύ χαμηλής θερμοκρασίας.

Η θερμοκρασία του δωματίου αυξάνεται κατά τη διάρκεια της λειτουργίας.

Αυτός ο αφυγραντήρας δεν διαθέτει λειτουργία ψύξης. Παράγει θερμότητα κατά τη διάρκεια της λειτουργίας και μπορεί να αυξήσει τη θερμοκρασία του δωματίου από 1 έως 4°C. Επιπλέον, η θερμοκρασία του δωματίου μπορεί να αυξηθεί αν η πόρτα και τα παράθυρα είναι κλειστά, λειτουργούν άλλες συσκευές που εκπέμπουν θερμότητα και εισέρχεται το φως του ήλιου.

ΣΥΝΤΗΡΗΣΗ ΚΑΙ ΚΑΘΑΡΙΣΜΟΣ

Το περίβλημα είναι κατασκευασμένο από πλαστικό και δεν πρέπει να τοποθετείται σε άμεσο ηλιακό φως.

Αφαιρέστε προσεκτικά τη δεξαμενή νερού.

Εάν δεν χρησιμοποιείτε τη συσκευή για μεγάλο χρονικό διάστημα.

Απενεργοποιήστε και αποσυνδέστε τη μονάδα, αδειάστε τη δεξαμενή νερού, αποθηκεύστε την σε ξηρό και αεριζόμενο μέρος. Χρησιμοποιήστε μόνο ένα μαλακό, καθαρό πανί για όλους τους σκοπούς καθαρισμού. Μην χρησιμοποιείτε βενζίνη, αραιωτικά βαφής ή άλλα χημικά για να καθαρίσετε τη μονάδα.

Καθαρισμός του κεντρικού φίλτρου:

Αφαιρέστε το φίλτρο με ηλεκτρική σκούπα ή νερό για καθαρισμό και, στη συνέχεια, τοποθετήστε το σε αεριζόμενο μέρος μέχρι να στεγνώσει.

ΣΕΡΒΙΣ

Εάν ο αφυγραντήρας χρήζει σέρβις, πρέπει πρώτα να επικοινωνήσετε με τον πωλητή. Για οποιαδήποτε αξίωση εγγύησης απαιτείται η απόδειξη αγοράς.

ΑΠΟΘΗΚΕΥΣΗ

Πριν αποθηκεύσετε τη μονάδα, ακολουθήστε τα εξής βήματα:

1. Βεβαιωθείτε ότι το δοχείο νερού είναι άδειο. Όταν η μονάδα είναι ενεργοποιημένη, βεβαιωθείτε ότι έχει επιλεγθεί η λειτουργία εξαερισμού και ότι η μονάδα λειτουργεί έτσι για τουλάχιστον 30 λεπτά, ώστε να αφαιρεθεί το νερό που υπάρχει μέσα στη μονάδα.
2. Μαζέψτε το καλώδιο τροφοδοσίας.
3. Καθαρίστε το φίλτρο.
4. Φυλάξτε σε καθαρό, ξηρό περιβάλλον.

Για οποιαδήποτε αξίωση εγγύησης απαιτείται η απόδειξη αγοράς.

ΥΠΟΔΕΙΞΕΙΣ

Όταν ο αφυγραντήρας χρησιμοποιείται σε εξαιρετικά υγρά περιβάλλοντα ή όταν η θερμοκρασία είναι κάτω από τους +5°C, ενδέχεται να διακοπεί η λειτουργία του. Μια μεγάλη ποσότητα πάγου συσσωρεύεται στο πηνίο ψύξης. Απενεργοποιήστε τον αφυγραντήρα και τοποθετήστε τον λίγο πάνω από

το επίπεδο του δαπέδου για ο πάγος να λιώσει και να απομακρυνθεί από τη συσκευή.

Ενίοτε είναι χρήσιμο ένα μέσο προστασίας κατά του παγώματος ή ένα αερόθερμο, για να εξασφαλίσετε ότι η θερμοκρασία δεν θα πέσει κάτω από τους +10°C. Ακόμα κι αν το MRD20/14 λειτουργεί σε πολύ χαμηλές θερμοκρασίες, όπως +5°C, λειτουργεί καλύτερα σε υψηλότερες θερμοκρασίες, καθώς ο ζεστός αέρας μεταφέρει περισσότερο νερό.

Ο υδροστάτης έχει περιθώριο σφάλματος περίπου +/- 5-10%. Σε χαμηλότερες θερμοκρασίες, το περιθώριο σφάλματος μπορεί να αυξηθεί περισσότερο.

Για τη μέγιστη ισχύ αφύγρανσης σε ένα δωμάτιο, συνιστάται η ελαχιστοποίηση της παροχής αέρα από το εξωτερικό περιβάλλον και από διπλανά δωμάτια – κλείστε τις πόρτες και τους εξαεριστήρες.

Πρέπει να αναμένετε υψηλότερη ικανότητα αφύγρανσης κατά τη διάρκεια του φθινοπώρου και του καλοκαιριού, επειδή ο εξωτερικός αέρας είναι θερμότερος και πιο υγρός.

ΣΗΜΑΝΤΙΚΟ! - Ο αφυγραντήρας Wood's πρέπει να συνδέεται σε γειωμένη πηγή ενέργειας. Η παροχή ενέργειας πρέπει να είναι 220V-240V 50Hz

ΠΡΟΒΛΗΜΑ	ΑΙΤΙΑ	ΑΠΟΚΑΤΑΣΤΑΣΗ
Ο αφυγραντήρας δεν λειτουργεί	Η ισχύς δεν είναι συνδεδεμένη	Ελέγξτε ότι ο αφυγραντήρας είναι συνδεδεμένος με την παροχή ρεύματος και ότι η ασφάλεια δεν έχει χαλάσει. Ελέγξτε ότι το δοχείο νερού είναι κενό και σωστά τοποθετημένο στον αφυγραντήρα.
Δεν γίνεται αφύγρανση	Το δοχείο νερού είναι πλήρες. Το δοχείο νερού δεν έχει επανατοποθετηθεί σωστά. Το φίλτρο αέρα είναι φραγμένο. Η θερμοκρασία ή η σχετική υγρασία στο δωμάτιο όπου λειτουργεί η συσκευή είναι πολύ χαμηλή.	Αφαιρέστε το νερό από το δοχείο. Τοποθετήστε το δοχείο νερού στη σωστή θέση. Καθαρίστε το φίλτρο αέρα. Ελέγξτε ότι ο αέρας μπορεί να ρέει ελεύθερα μέσα από τον αφυγραντήρα. Το εμπρός πλέγμα και το φίλτρο αέρα θα πρέπει να είναι καθαρά και ο αφυγραντήρας θα πρέπει να βρίσκεται σε απόσταση 20 εκ. από τον τοίχο.
Ο αφυγραντήρας λειτουργεί, αλλά δεν μειώνει επαρκώς τη σχετική υγρασία.	Το δωμάτιο είναι πολύ μεγάλο. Υπάρχουν πάρα πολλές πηγές υγρασίας. Υπάρχει πολύ έντονος εξαερισμός	Συνιστούμε τη χρήση ενός αφυγραντήρα υψηλότερων προδιαγραφών. Συνιστούμε τη χρήση ενός αφυγραντήρα υψηλότερων προδιαγραφών. Μειώστε τον εξαερισμό (π.χ. κλείστε τα παράθυρα και τις πόρτες)
Εάν αντιμετωπίζετε πρόβλημα με τον αφυγραντήρα σας, ανατρέξτε στις οδηγίες αντιμετώπισης προβλημάτων. Εάν καμία από τις προτεινόμενες λύσεις δεν έχει αποτέλεσμα, επικοινωνήστε με τον πωλητή για το σέρβις του αφυγραντήρα σας.		

Εγγυήσεις

2 χρόνια εγγύηση καταναλωτών κατά των βλαβών από την παραγωγή. Σημειώστε ότι η εγγύηση ισχύει μόνο με την επίδειξη της απόδειξης αγοράς. Η εγγύηση ισχύει μόνο εάν το προϊόν χρησιμοποιείται σύμφωνα με τις οδηγίες και τις προειδοποιήσεις ασφαλείας που αναφέρονται ρητά στο παρόν εγχειρίδιο. Η εγγύηση δεν καλύπτει ζημιές που προκαλούνται από ακατάλληλο χειρισμό του προϊόντος.

ΣΗΜΕΙΩΣΗ: Η εγγύηση 2 ετών ισχύει μόνο για οικιακή και όχι για επαγγελματική χρήση της μονάδας.



ΣΗΜΕΙΩΣΗ!

Εγγραφείτε στον ιστότοπο www.warranty-woods.com και διαβάστε σχετικά με το πώς μπορείτε να αποκτήσετε την εκτεταμένη εγγύηση. Επισκεφτείτε την ηλεκτρονική διεύθυνση woods.se για περισσότερες πληροφορίες.

Συνιστώμενα όρια χρήσης

Θερμοκρασία +5°C έως +35°C

Σχετική υγρασία: 30% έως 90%

Συνιστώμενο επίπεδο υγρασίας: περίπου 50% RH

ΤΕΧΝΙΚΑ ΔΕΔΟΜΕΝΑ

	MRD20
Μέγιστη επιφάνεια εργασίας	70 m ²
Ροή αέρα	175m ³ /h±10%
Αφύγρανση στους 30°C και 80% r.h.	21,1 l / 24 ώρες
Ισχύς στους 30°C και 80% r.h.	315 W±10%
Όγκος δοχείου	3,8ίτρα
Ψυκτικό μέσο	R290
Φόρτιση R290	60 g
Τάση	220-240 V
Επίπεδο θορύβου σε ντεσιμπέλ	48 dB
Βάρος	15,5 kg
Διαστάσεις σε χιλιοστά, Μ x Π x Υ	355x252x567

	MRD25
Μέγιστη επιφάνεια εργασίας	120m ²
Ροή αέρα	180m ³ /h±10%
Αφύγρανση στους 30°C και 80% r.h.	25λίτρα / 24 ώρες
Ισχύς στους 30°C και 80% r.h.	414 W±10%
Όγκος δοχείου	3,8ίτρα
Ψυκτικό μέσο	R290
Φόρτιση R290	85 g
Τάση	220-240 V
Επίπεδο θορύβου σε ντεσιμπέλ	48 dB
Βάρος	16 kg
Διαστάσεις σε χιλιοστά, Μ x Π x Υ	355x252x567

*Μπορεί να προκύψουν τεχνικές αλλαγές και βελτιώσεις. Όλες οι τιμές είναι κατά προσέγγιση και ενδέχεται να ποικίλλουν λόγω εξωτερικών περιστάσεων, όπως η θερμοκρασία, ο εξαερισμός και η υγρασία.



*Η σήμανση αυτή υποδεικνύει ότι το προϊόν αυτό δεν πρέπει να απορρίπτεται με άλλα οικιακά απόβλητα σε ολόκληρη την Ε.Ε. Για την αποτροπή ενδεχόμενης βλάβης του περιβάλλοντος ή της ανθρώπινης υγείας από την ανεξέλεγκτη διάθεση αποβλήτων, ανακυκλώστε το υπεύθυνα για την προώθηση της αειφόρου επανάχρησης των υλικών πόρων. Για να μας επιστρέψετε τη συσκευή σας, παρακαλούμε χρησιμοποιήστε τα συστήματα επιστροφής και συλλογής ή επικοινωνήστε με το κατάστημα λιανικής πώλησης όπου αγοράσατε το προϊόν. Το προϊόν είναι κατάλληλο για περιβαλλοντικά ασφαλή ανακύκλωση.

WOOD'S RAKEYÐAR ERU MEÐAL ÞEIRRA LEIÐANDI Í HEIMINUM

Rakaeyðar frá Wood hafa verið leiðandi á markaðnum í mörg ár. Rakaeyðarnir henta til notkunar í kröfuhörðum aðstæðum þar sem afkastagetan er góð jafnvel við mismunandi hita- og rakastig. Þá er hægt að nota með góðum árangri á stöðum þar sem gjarnan er raki s.s. í kjöllum, bílskúrum eða sumarústöðum. Þær henta einnig mjög vel til að þurrka þvott, háaloft, sundlaugasali o.fl. Skilvirkni og sparneytni. Þeir slíta ekki fötum.

Það magn raka sem rakaeyðirinn fjarlægir fer eftir hitastigi, rakastigi og staðsetningu tækisins. Ytri veðurskilyrði geta einnig haft áhrif á afköst rakaeyðisins. Rakeyðarnir frá Wood's eru öruggir í notkun og eru ætlaðir til notkunar árum saman.

MJÖG HÁTT RAKASTIG – HÆTTA

Þétting verður þegar vatnsgufa í lofti kemst í snertingu við kalt yfirborð s.s. kaldan glugga eða vegg. Þegar vatnsgufa kólnar verður þétting og vatnsdropar myndast. Í lofti þar sem rakastig er mjög hátt getur orðið fúkki og myglumyndun sem getur valdið skemmdum á húsnæði og húsgögnum. Þannig umhverfi getur valdið veikindum hjá íbúum. Maurar og köngulær þrífast einnig betur í röku umhverfi. Afkastamikið rakatæki skapar gott, heilsusamlegt rakastig. Til þess að afköst séu sem mest ættu gluggar og hurðir í herbergjum þar sem rakaeyðir er notaður að vera lokaðar. Eyðir lykt, þurrkar við og eyðir raka úr útivistarbúnaði.

1. ÖRYGGISVIÐVARANIR

Eldfim efni. Þetta tæki inniheldur R290/própan sem er eldfimt kæliefni.



Vísað er í þessa handbók varðandi öryggisupplýsingar.



Lesu tæknihandbók



Lesu notandahandbók.

ÖRYGGISUPPLÝSINGAR

Áður en þú setur upp tækið og byrjar að nota það skaltu lesa meðfylgjandi leiðbeiningar vandlega. Framleiðandi er ekki ábyrgur ef röng uppsetning og notkun valda meiðslum og tjóni. Geymdu leiðbeiningarnar með tækinu til að geta skoðað þær.

Öryggi barna og viðkvæmra**VIÐVÖRUN**

Hætta á meiðslum eða varanlegri fötlun.

Börn 8 ára og eldri og einstaklingar með skerta líkamlega getu, skynjun eða andlega getu, eða skort á reynslu og þekkingu geta notað þetta tæki undir eftirliti eða eftir að hafa fengið leiðbeiningar varðandi notkun tækisins á öruggan hátt og ef þau gera sér grein fyrir þeirri áhættu sem því fylgir. Leyfið ekki börnum að leika sér með tækið.

Börnum yngri en 3 ára skal haldið frá tækinu nema undir stöðugu eftirliti.

Geymið allar umbúðir fjarri

börnum.

Börn skulu ekki annast hreinsun og viðhald án umsjónar.

Almennt öryggi

Þetta tæki er ætlað til nota á heimilum og álíka stöðum svo sem: kjöllum, skúmaskotum, starfsmannaeldhúsum í búðum, skrifstofum og öðrum vinnusvæðum. Flokkunarplatan er staðsett aftan á eða á hlið rakaeyðisins.

Haldið aðskotahlutum fjarri loftopum.

Notið ekki vélbúnað eða aðrar aðferðir til að hraða afþvingu en þær sem framleiðandi mælir með.

Ekki skal geyma tækið í herbergi þar sem neistagjafir eru í gangi (opnir logar, gastæki eða rafmagnshitarar). Gatið ekki eða brennið.

Hafið í huga að kæliefni geta verið lyktarlaus. Notið ekki vatnsúða eða gufu til að hreinsa tækið. Hreinsið tækið með rökum mjúkum klút. Notið aðeins hlutlaus hreinsiefni. Notið ekki slípvörur, slípiefnasvampa, leysiefni eða málmhluti.

Ef rafmagnssnúran er skemmd þarf að skipta um hana hjá framleiðanda, viðurkenndum viðgerðaraðila eða sambærilegum aðila til að forðast að hættulegar aðstæður skapist.

ÖRYGGISLEIÐBEININGAR

Uppsetning

VIÐVÖRUN



Aðeins hæfur aðili skal annast uppsetningu tækisins.

Fjarlægið allar umbúðir.

Setjið ekki upp eða notið skemmt tæki. Tækið skal ekki setja upp, nota og geyma í herbergi sem er með stærri gólfhlöt en 2 m². Fylgja

skal þeim leiðbeiningum um uppsetningu sem fylgja tækinu. Sýnið ávallt aðgát þegar tækið er fært því það er þungt. Klæðist ávallt öryggishönskum.

Gangið úr skugga um að loft leiki óhindrað umhverfis tækið.

Bíðið í að minnsta kosti 4 klukkustundir áður en tækið er tengt við rafmagn. Þetta er til að leyfa olíunni að renna til baka í pressuna.

Setjið ekki tækið nálægt ofnum eða öðrum hitagjöfum.

Staðsetjið ekki tækið í beint sólskin.

Rafmagnstenging



VIÐVÖRUN

Hætta á bruna og raflosti.

Tækið skal tengja við jarðtengda innstungu.

Gangið úr skugga um að rafmagnsupplýsingarnar á flokkunarmerkinu séu í samræmi við orkugjafann. Ef ekki, skal hafa samband við rafvirkja.

Notið ávallt rétt uppsetta höggþétta innstungu.

Notið ekki fjöltengi og framlengingarsnúrur.

Gætið þess að valda ekki skemmdum á rafíhlutum (t.d. tengjum, snúrum).

Hafið samband við viðurkennda þjónustumiðstöð eða rafvirkja til að skipta um rafíhluti.

Snúran verður að vera fyrir neðan innstunguna/klóna.

Tengið ekki klóna við innstunguna fyrr en uppsetningu er lokið.

Gangið úr skugga um að hægt sé að komast að klónni eftir uppsetningu.

Dragið ekki í rafmagnssnúruna til að aftengja tækið. Togið alltaf í klóna sjálfa.

Notkun

VIÐVÖRUN



Hætta á meiðslum, bruna, raflosti eða eldsvoða.

Breytið ekki eiginleikum tækisins.

Gætið þess að valda ekki skemmdum á kælihringrásinni. Hún inniheldur própan (R290), náttúrulegt gas með háa umhverfissamhæfni. Þetta gas er eldfimt.

Ef skemmdir eiga sér stað í kælihringrásinni skal ganga úr skugga um að engir logar eða og neistagjafar séu í herberginu. Loftræstið herbergið.

Setjið ekki eldfimar vörur eða vörur sem eru bleyttar með eldfimum efnum nálægt tækinu eða ofan á það.

Förgun

VIÐVÖRUN



Hætta á meiðslum.

Takið tækið úr sambandi.

Klippjið rafmagnssnúruna af og fleygið henni. Kælihringrásin í þessu tæki er ósónvæn. Hafið samband við viðkomandi aðila í þínu landi til að fá upplýsingar um hvernig þú fargar tækinu á réttan hátt.

Valdið ekki skemmdum á þeim hluta kælieiningarinnar sem er nálægt hitaskiptinum.

STAÐSETNING RAKAEYÐIS VIÐ UPPSETNINGU

MIKILVÆGT:

2. Uppsetning

FYRIR FYRSTU NOTKUN

Látið tækið standa í 4 klst fyrir notkun

Val á staðsetningu

Mikilvægt

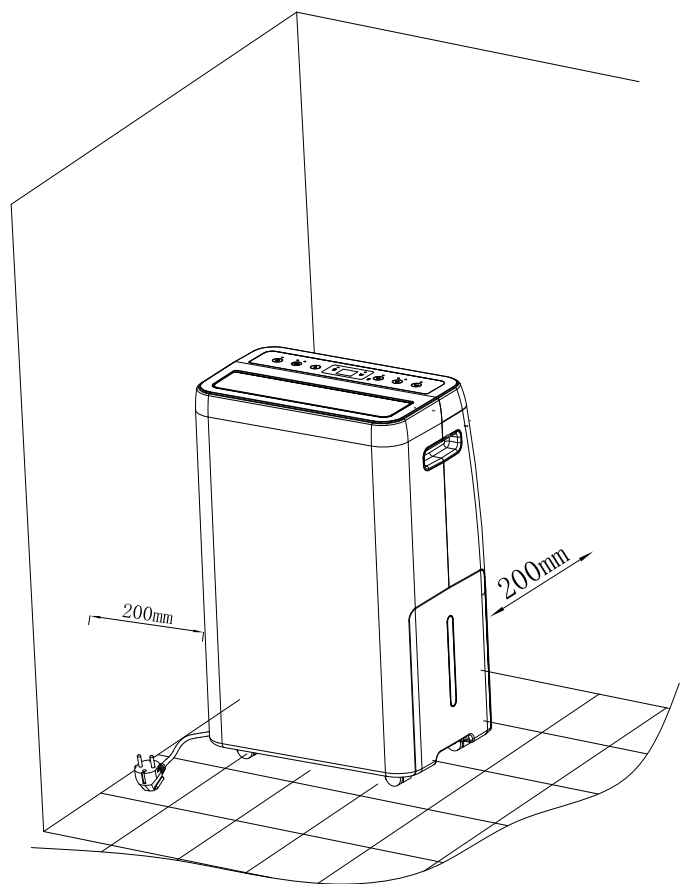
1. Rakaeyðinn skal nota í lokuðu rými til þess að afköstin verði sem best. Lokið öllum hurðum, gluggum og öðrum utanaðkomandi loftopum herbergisins. Afköst rakaeyðisins er háð þeim hraða sem rakt loft kemur inn í herbergið.

2. Staðsetjið rakaeyðinn þannig að loftflæði sé óhindrað inn um framhlið tækisins.

3. Rakaeyðir sem starfar í herbergi mun hafa lítil sem engin áhrif í þurrkun aðliggjandi lokaðra geymslurýma, svo sem skápa, nema það sé nægjanlegt loftflæði inn og út úr rýminu. Það getur verið nauðsynlegt að setja upp annað lofthreinsitæki í lokaða rýminu fyrir viðunandi þurrkun.

4. Gangið úr skugga um að tækið sé staðsett á stöðugu og sléttu yfirborði. Ef yfirborðið er ekki stöðugt er hættu á að tækið verði óstöðugt og það valdi of miklum titringi og að vatn geti farið að leka.

5. Rakaeyðirinn verður að hafa að minnsta kosti 20 cm laust pláss umhverfis allt tækið.



VÖRULÝSING

3. Vörulýsing

A

1. Handfang
2. Stjórnborð
3. Topplúga
4. Sveiflúvirkni
5. Framhluti

B

1. Loftplata
2. Vatnsrör fyrir stöðugt afrennsli
3. Rafmagnssnúra
4. Bakhluti
5. Vatnsgeymir

C

1. Stjórnborð

D mynd D (mynd af táknum á stjórnborðinu)

1. Power hnappur: Þessi hnappur getur stjórnað vélinni slökkt / slökkt.
2. Mode hnappur: Þessi hnappur getur stillt vélina til að vinna í þurrum ham eða ofþurrkunarstillingu. (Í þurrstillingum rakar hún stöðugt á sig undir mestum hraða)
3. Rakastigshnappur: Í rakastillingarham getur þessi hnappur stillt mismunandi rakastig og sviðið er 50-55-60-65-70-Co-40-45-50-55-60-65-70% RH.
4. Tímastillarhnappur: Þegar þú ýtir á þennan hnapp í <0,5 sekúndur getur það stillt tímastillingu á aðgerð 0H / 1H / 2H / 3H / 4H / 5H / 6H / 7H / 8H til að stjórna niðurtalningu.
5. Viftur á aðdáunarhraða: Þessi hnappur getur stillt vélina á að vinna undir lágum hraða eða miklum hraða.
6. Sveiflahnappur: Þessi hnappur getur stillt vélina á að sveifla eða sveiflast ekki sjálfkrafa.
7. Afrýting virk
8. Vatns fötu full

9. Barnalás: Ef ýttu á tímastillihnappinn í 3 sekúndur getur það gert barnalásaraðgerð óvirk eða óvirk. Meðan á barnslæsingaraðgerð stendur er aðeins hægt að stilla klukku og kveikju / slökka. Ýttu bara á þennan hnapp aftur í 3 sekúndur til að slökka á aðgerðum fyrir lás barna.

E

Efst og hnappur

1. Teiknaðu efst og undir vélina

F

Stjórnborð

1. Rakaeyðirinn verður að hafa að minnsta kosti 20 cm laust pláss umhverfis allt tækið.

STAÐSETNING RAKAEYÐISINS

- Rakatækinu ætti ekki að koma fyrir nálægt ofnum eða öðrum hitagjöfum eða undir beinu sólarljósi þar sem slíkt getur haft áhrif á afköst þess.

- Best er að staðsetja það í miðju herbergis/rýmis.



ATH: Þegar honum er komið fyrir í sturtu- eða baðaðstöðu ætti rakaeyðirinn að vera festur. Það er skylda að athuga og virða staðbundnar reglugerðir um raftengingar á baðherbergjum áður en tækið er notað.

NOTKUN RAKAEYÐISINS

Ef rakaeyðirinn er fluttur láréttur skal láta hann standa í 4 klukkustundir áður en hann er tekinn í notkun. Það er mjög mikilvægt að olían fái að renna til baka í pressuna því annars gæti rakaeyðirinn skemmt alvarlega.

1. Athugið hvort að vatnsgeymirinn sé rétt ísettur.
2. Tengdu þurrkarann við jarðtengingu.
3. Stilltu viðeigandi rakastig með rakastýringunni. Sjá kaflann um rakastýringu.



ATH: Rakastig umhverfisins má einfaldlega mæla með rakaeyðinum.

NOTANDAHANDBÓK

1. Aðalhnappur: Þessi hnappur kveikir og slökkur á tækinu.
2. Rakahnappur: Val á æskilegu rakastigi. Til að stilla viðeigandi rakastig, ýttu á rakastigshnappinn í 5 sek., það sýnir umhverfishita (0 ~ 40 °C) í 5 sek; ef þú heldur niðri á rakahnappinn, sýnir hann hitastig umhverfisins allan tímann. Ef þú ýtir ekki á aftur sýnir það sjálfkrafa hitastig NTC skynjarans í 5 sekúndur og sýnir þá rakastig.
3. Rakastillingar: Opnaðu rakastig loftopsins milli 40%, 50%, 60% eða stöðugri stillingu.
4. Tímastillir: Þegar kveikt er á tækinu,

- ýttu á Tímamælirinn 2H / 4H / 6H til að stjórna niðurtalningu.
5. meðan á notkun stendur sýnir það rakastig frá 30,31,32 ... 79,80. Ef það er < . 30% RH, það sýnir LO; ef það er > 80% RH,
6. Af rakastig er hægt að stilla rakastig og viftuhraða 2 stig

MINNIAÐGERÐ

1. Ýttu á kveikju / slökkva (tengt rafmagnsinnstungu) og ýttu síðan á kveikju / slökkva hnappinn aftur, það virkar í kjölfar fyrri stillingar, en tímastillir og barnalásaraðgerð hefur ekkert minni.
2. Enginn kraftur þegar notkun er jöfn að slökkva allt í einu virkar vélin sjálfkrafa þegar það er rafmagn og hún minnir fyrri stillingu, en barnalásaraðgerðin hefur ekkert minni.
3. Einingin mun sjálfkrafa kveikja og starfar í síðustu stillingu eftir að rafmagn hefur skilað sér. Hún virkar undir fyrstu sjálfgefnu stillingu meðan á rakastig er að ræða og vinnur við rakastig um 50% RH á miklum hraða.

VÖRN ÞJÖPPU

Einingin er búin þjöppunarverndaraðgerðum - það er að þjöppu hefur fimm mínútna tímabil frá því að hún byrjar að starfa og lokast.

VATNSTÆMING

Þegar vatnsgeymirinn er fullur slökkur rakaeyðirinn sjálfkrafa á sér. Þegar vatnsgeymirinn hefur verið tæmdur endurræsist tækið sjálfkrafa.

1. Takið rakaeyðinn úr sambandi.
2. Tæmið vatnsgeyminn.
3. Setjið tóma vatnsgeyminn til baka og gætið að því að flotið hreyfist óhindrað.
4. Setjið rakaeyðinn í samband.

Bein vatnstæming

Tengið vatnsslöngu við rörið aftan á rakaeyðinum. Setjið hinn endann í niðurfall. Gangið úr skugga um að vatnið geti runnið niður.

LOFTSÍA

Loftsían kemur í veg fyrir að ryk og óhreinindi fari inn í tækið og eykur þannig endingartíma þess. Mikilvægt er að hreinsa síuna reglulega. Hreinsun síu:

1. Fjarlægjið síuna.

2. Skolið hana með heitu vatni og mildu hreinsiefni. Einnig er hægt að ryksuga síuna.
3. Látið síuna þorna og setjið hana aftur á sinn stað.

AFÍSING

Á meðan að á afisingu stendur getur verið gert hlé á rakaeyðingu.

Slökkvið ekki á rakaeyðinum eða takið hann úr sambandi á meðan afising er í gangi. Þessi rakaeyðir hentar ekki til að viðhalda mjög lágu hitastigi.

Tilgangurinn með þessum rakaeyði er að losna við óþægilegan raka og þurrka blauta hluti. En það er ekki hægt að nota hann við mjög lágt hitastig.

Hitinn í herberginu eykst við rakaeyðingu.

Þessi rakaeyðir er ekki með kælivirkni. Hann gefur frá sér hita við notkun og eykur hitastig í herberginu um 1 til 4°C. Auk þess getur hitastigið í herberginu hækkað vegna þess að hurðir og gluggar eru lokaðir, og vegna annarra tækja í herberginu sem geta gefið frá sér hita og vegna sólargeisla.

VIÐHALD OG HREINSUN

Hylkið er úr plasti og ætti ekki að setja það í beint sólarljós.

Fjarlægðu vatnsgeyminn varlega.

Ef þú notar ekki tækið í langan tíma. Slökktu á tækinu og aftengdu það, tæmdu vatnsgeyminn, geymdu hann á þurrum og loftræstum stað. Notaðu aðeins mjúkan, hreinn klút í öllum hreinsunarskyli. Ekki nota bensín, málningarþynningar eða önnur efni til að hreinsa eininguna.

Hreinsa rafmagnssíuna: Fjarlægðu síuna með ryksuga eða vatni til að hreinsa, settu hana síðan á loftræstum stað þar til hún er þurr.

ÞJÓNUSTA

Ef rakaeyðirinn þarfnast viðhalds skal fyrst hafa samband við söluaðila. Sönnunar fyrir kaupum er krafist fyrir allar ábyrgðarkröfur.

GEYMSLA

Áður en tækið er sett í geymslu skal fylgja eftirfarandi skrefum:

1. Gangið úr skugga um að vatnsgeymirinn sé tómur. Þegar kveikt er á tækinu skal ganga úr skugga um að það starfi í loftræstistillingu í að minnsta kosti 30 mínútur til að fjarlægja vatnið inni í tækinu.
2. Vindið upp snúrana.
3. Hreinsið síuna.
4. Geymið á hreinum og þurrum stað.

Sönnunar fyrir kaupum er krafist fyrir allar ábyrgðarkröfur.

ÁBENDINGAR

Þegar rakaeyðirinn er notaður í mjög miklum raka eða þar sem hitastig er lægra en +5°C getur það hætt vinnslu. Mikið af

ís safnast upp á kælispíralnum. Slökkið á rakaeyðinum og staðsetjið hann aðeins yfir gólfhæð svo ísinn bráðni.

Stundum getur verið ráðlegt að nota frostvörn eða hitablásara til að tryggja að hitastigið fari ekki undir +10°C. Jafnvel þótt MRD20/14 vinni niður að hitastigi allt að +5°C er afkastageta þess meiri við hærri hitastig þar sem heitt loft flytur meira vatn.

Skekkiþjómörk rakastillisins eru u.þ.b. +/- 5-10%. Við lægra hitastig gætu skekkiþjómörk verið enn meiri.

Fyrir hámarks þurrkun í herbergi er mælt með að loftflæðið að utan og frá aðliggjandi herbergjum sé með sem minnsta móti. Lokið hurðum og loftopum.

Gera má ráð fyrir aukinni afkastagetu við rakaeyðingu á haustin/sumrin þegar hiti utanhúss er hærri og rakastig hærri.

MIKILVÆGT! - Rakaeyði frá Wood's skal jarðtengja. Rafspenna skal vera 220V-240V 50Hz

VANDAMÁL	ORSÖK	ÚRRÆÐI
Rakaeyðirinn virkar ekki	Ekki í sambandi við rafmagn	Gangið úr skugga um að rakaeyðirinn sé í sambandi og að öryggi sé ekki sprungið. Ef viðvörunarljósið er kveikt, athugið hvort vatnsgeymirinn sé tómur og rétt ísettur í rakaeyðinn.
Eyðir ekki raka	Vatnsgeymirinn er fullur. Vatnsgeymirinn er ekki rétt ísettur. Loftsían er stífluð. Hitastig eða rakastig í herberginu þar sem tækið er staðsett er of lágt.	Tæmið vatnið úr geyminum. Setjið vatnsgeyminn í á réttan hátt. Hreinsið loftsíuna. Gangið úr skugga um að loft flæði óhindrað í gegnum rakaeyðinn. Grillið og loftsían eiga að vera hrein og rakaeyðirinn skal standa um 20cm frá vegg.
Rakaeyðirinn virkar en rakaeyðing er ófullnægjandi.	Herbergið er of stórt. Það eru of margar uppsprettur raka. Of mikil loftræsting	Mælt er með því að nota rakaeyðir með meiri afkastagetu. Mælt er með því að nota rakaeyðir með meiri afkastagetu. Dragið úr loftræstingu (t.d. með því að loka gluggum og hurðum.)
Ef vandamál koma upp með rakaeyðinni; skoðið neðangreind atriði fyrir bilanagreiningu. Ef ekkert af neðangreindum úrræðum virka skaltu hafa samband við söluaðila til að fá þjónustu fyrir rakaeyðinn.		

Ábyrgðir

2 ára ábyrgð neytenda gagnvart framleiðslugöllum. Vinsamlegast athugið að ábyrgðin gildir aðeins gegn framvísun kvittunar. Ábyrgðin gildir aðeins ef varan er notuð í samræmi við þær leiðbeiningar og öryggisviðvaranir sem eru að finna í þessari handbók. Ábyrgðin nær ekki til tjóns sem stafar af óviðeigandi meðferð vörunnar.

ATH: 2 ára ábyrgðin á aðeins við um neytendur og er ekki fyrir notkun tækisins í atvinnuskyni.



ATH!

Skráðu þig á www.warranty-woods.com og lestu um hvernig þú færð aukna ábyrgð. Frekari upplýsingar er að finna á woods.se.

Ráðlögð mörk fyrir notkun

Hitastig: +5°C til +35°C

Rakastig: 30% til 90%

Ráðlagt rakastig: u.þ.b. 50% RH

TÆKNILÝSING

	MRD20
Hám. vinnusvæði	70m ²
Lofthæði	90m ² /klst
Rakaeyðing við 35°C og 80% rakastig.	20l/24klst
Orka við 35°C og 80% rakastig.	315 W±10%
Rúmmál geymis	3,8 lítrar
Kæliefni	R290
Hleðsla R290	60 g
Spenna	220-240V
Hávaðastig í desibel	48dB
Þyngd	15,5kg
Mál í mm, L x B x H	355x252x567

	MRD25
Hám. vinnusvæði	120m ²
Lofthæði	105m ² /klst
Rakaeyðing við 35°C og 80% rakastig.	25l/24klst
Orka við 35°C og 80% rakastig.	414 W±10%
Rúmmál geymis	283,8 lítrar
Kæliefni	R290
Hleðsla R290	85 g
Spenna	220-240V
Hávaðastig í desibel	48dB
Þyngd	16 kg
Mál í mm, L x B x H	355x252x567

*Tæknilegar breytingar og endurbætur geta átt sér stað. Öll gildi eru viðmiðanir og geta verið breytileg vegna utanaðkomandi aðstæðna s.s. hitastigs, loftræstingar og rakastigs.



*Þetta merki gefur til kynna að ekki skuli farga tækinu með öðru heimilissorpi innan ESB. Til að koma í veg fyrir mögulegt umhverfis- eða heilsutjón vegna rangrar förgunar skal koma tækinu í endurvinnslu þannig að förgun efna fari fram ábyrgan og sjálfbærán hátt. Þegar þú skilar tækinu skaltu nota skila- og söfnunarkerfi eða hafa samband við söluaðila tækisins. Þeir geta tekið á móti tækinu og komið því í endurvinnslu.

Wood's is marketed and distributed by:

Woods TES Sweden AB.

Maskingatan 2-4

441 27, Alingsås

Sweden.

woods.se

info@woods.se

+46 317613610

Wood's[®]