



OPERATING INSTRUCTIONS FOR:

AC Palermo Pro 18K Manual WAC1810G
AC Palermo Pro 22K Manual WAC2201G



Visit woods.se for more information and updated instruction manuals.

For extended warranty register your product at warranty-woods.com

GB	<i>Operating Instructions</i>	PL	<i>Instrukcja obsługi</i>
SE	<i>Bruksanvisning</i>	RO	<i>Manual utilizare</i>
NO	<i>Bruksanvisning</i>	FI	<i>Käyttöohjeet</i>
DK	<i>Betjeningsvejledning</i>	LT	<i>Naudojimosi instrukcija</i>
DE	<i>Bedienungsanleitung</i>	LV	<i>Lietošanas instrukcija</i>
FR	<i>Guide d'instructions</i>	EE	<i>Kasutusjuhend</i>
ES	<i>Manual de instrucciones</i>	GK	<i>Οδηγίες Λειτουργίας</i>
NL	<i>Gebruiksaanwijzing</i>	IS	<i>Notkunarleiðbeiningar</i>

Visit our website to:

Get usage advice, updated owners manual, troubleshoot and service information
Register your product for additional services:
www.warranty-woods.com

CUSTOMER CARE AND SERVICE

Always use original spare parts.
When contacting our Authorised Service Centre, ensure that you have the following data available:
Model number, receipt and serial number.

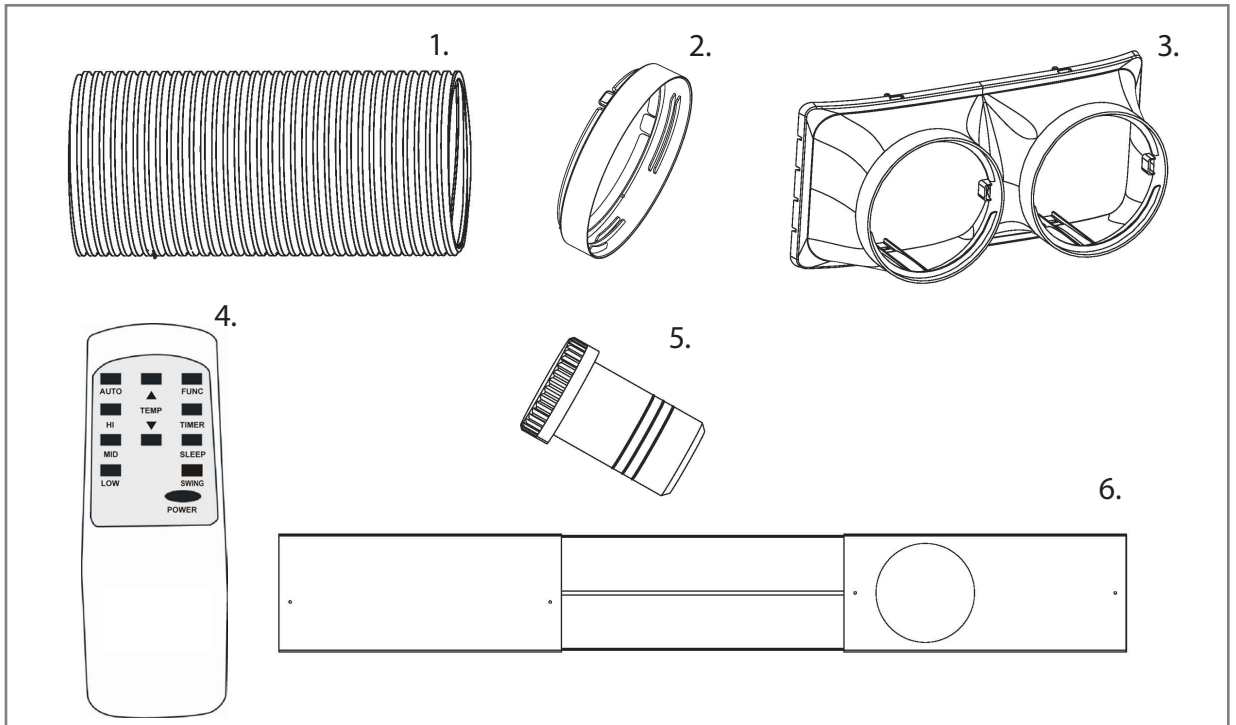
The refrigerant used in portable air conditioner is the environmentally friendly hydrocarbon R290. This refrigerant is odorless, and compared to the alternative refrigerant, the R290 is an ozone-free refrigerant.

Warning / Caution-Safety information.
General information and tips.
Environmental information.
Subject to change without notice.

CONTENTS:**PAGE NO.***TABLE OF CONTENTS**OPERATING INSTRUCTIONS*

<i>English</i>	12-19
<i>Swedish</i>	20-27
<i>Norwegian</i>	28-35
<i>Danish</i>	36-43
<i>German</i>	44-51
<i>French</i>	52-59
<i>Spanish</i>	60-67
<i>Dutch</i>	68-75
<i>Polish</i>	76-83
<i>Romanian</i>	84-91
<i>Finnish</i>	92-99
<i>Lithuanian</i>	100-107
<i>Latvian</i>	108-115
<i>Estonian</i>	116-123
<i>Greek</i>	124-131
<i>Icelandic</i>	132-139

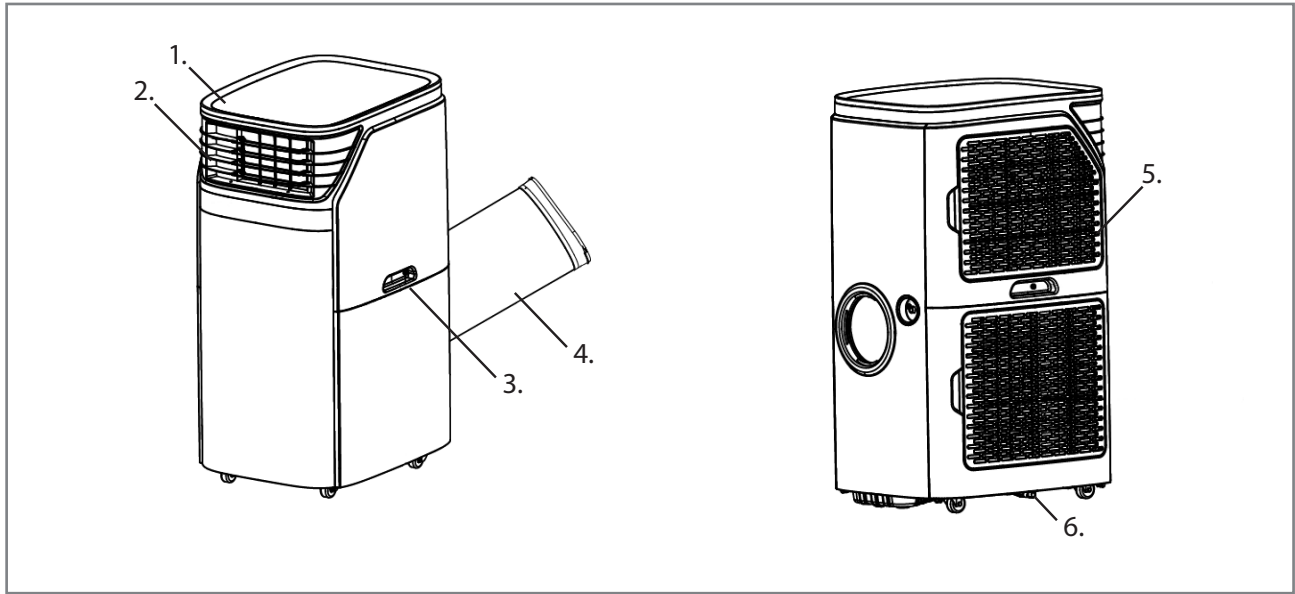
A.



B.



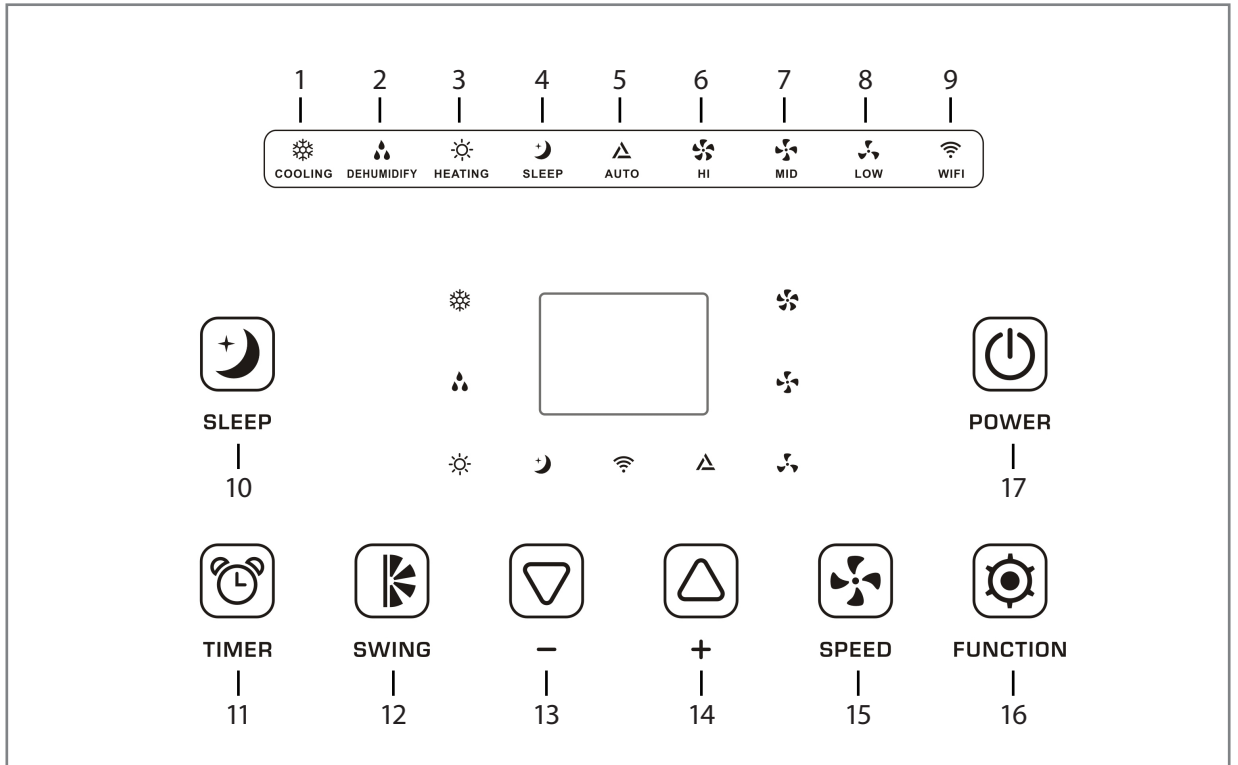
C.



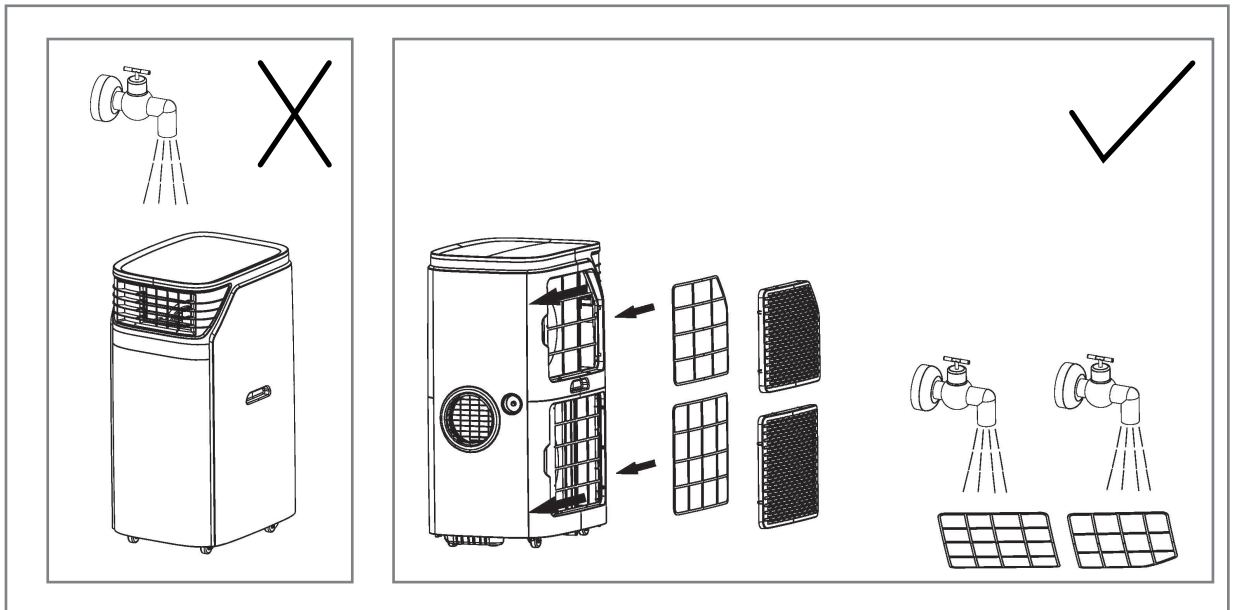
D.



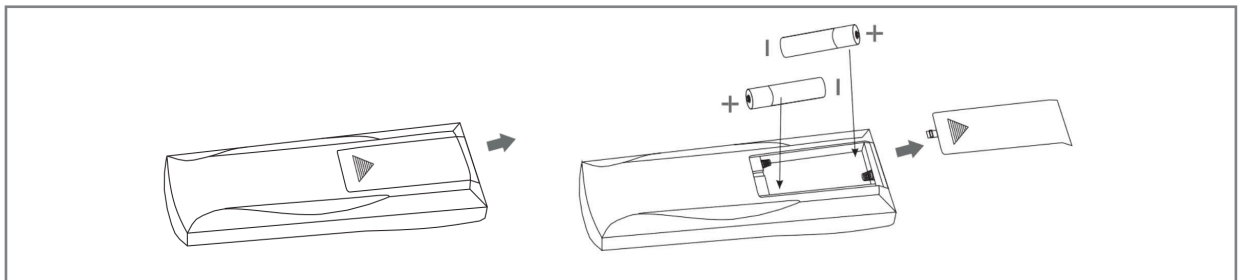
E.



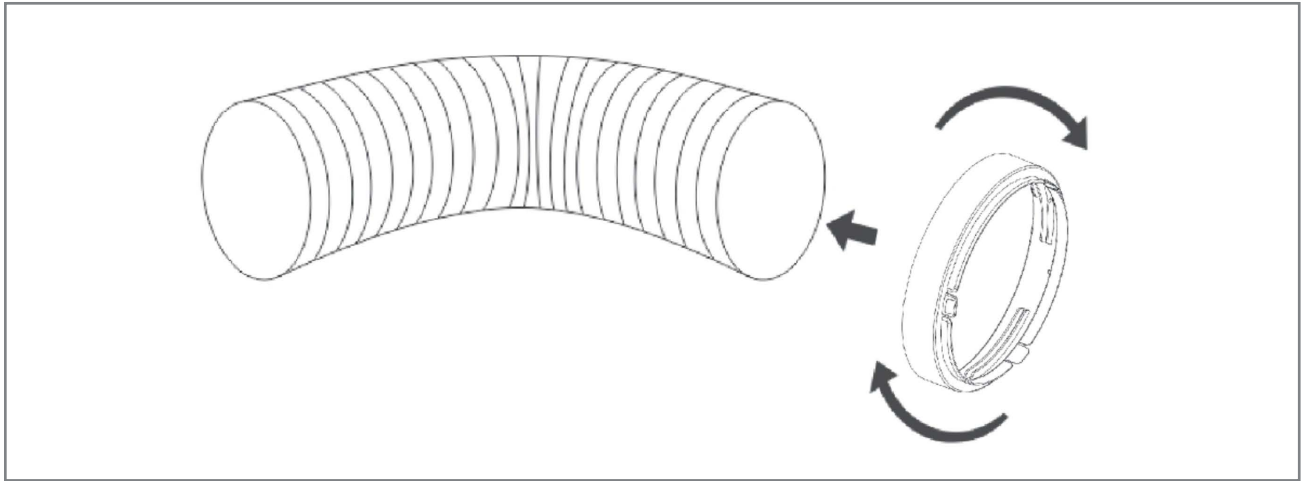
F.



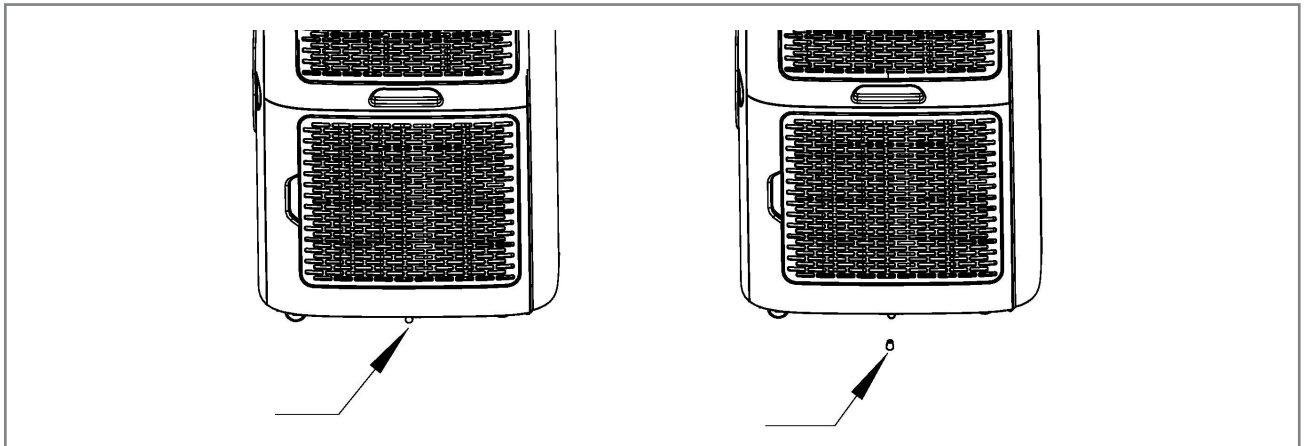
G.



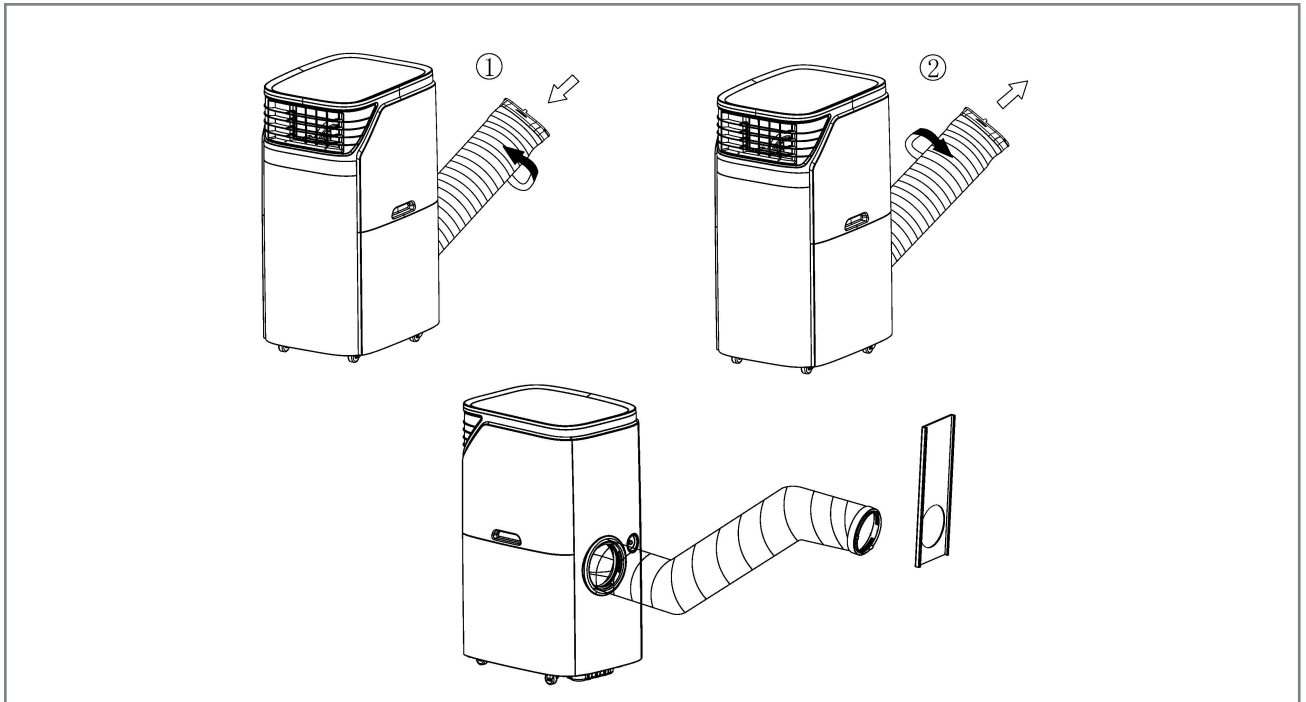
H.



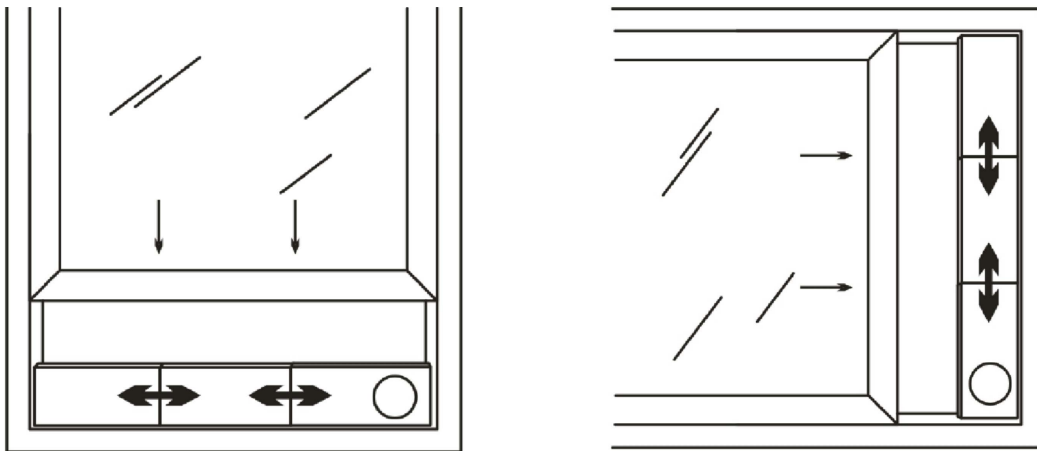
I.



J.



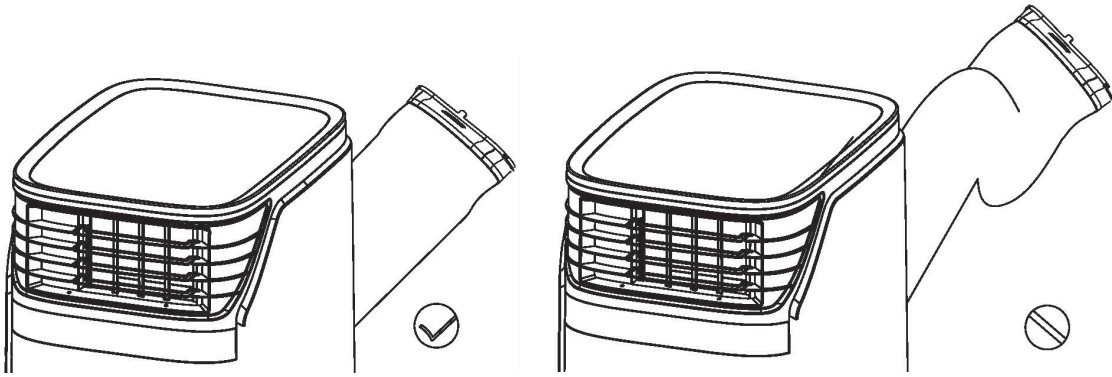
K.



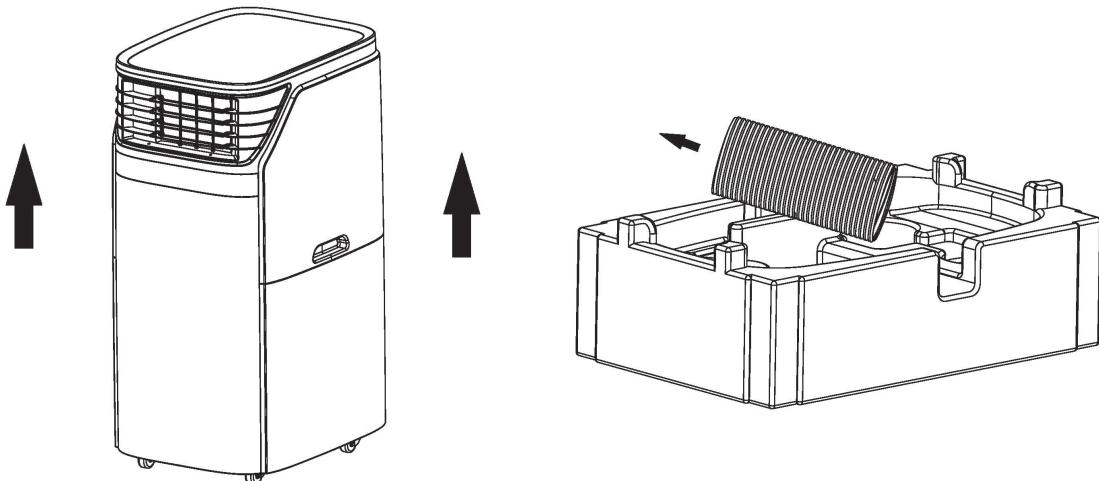
Window width
min:67.5cm
max:123cm

Window height
min:67.5cm
max:123cm

L.



M.



WOOD'S FOR CLEAN AND HEALTHY INDOOR AIR

The brand Wood's was born with the Wood's family over 65 years ago in the Canadian city of Guelph, Ontario. This is where Wood's began developing and manufacturing dehumidifiers in 1950. Since then Wood's has helped several hundred thousand households to prevent damages from mould damp, and to breathe cleaner air. Our portable air conditioners are suitable for use in most climates, where capacity is good even at different temperatures and humidity levels. They are used with good results in premises that become hot such as livingrooms, offices or bedrooms. The amount of hot air that the air conditioner removes depends on the temperature, humidity level and placement. External weather conditions may also affect the performance of the air conditioner.

Wood's air conditioners are safe in operation and intended for continuous use over many years.

HOW DOES THE AIR CONDITIONING UNIT WORK?

Low pressure gives cold air

The main element of the air conditioner is a coolant, which under low pressure is converted to gas. The process "creates cold", which is transmitted inward, while keeping the warm air out.

A liquid coolant is passed through an expansion valve and into a pipe where the pressure is low.

The coolant evaporates and turns into a gas. The process absorbs heat from the surroundings and the pipe is cooled.

A fan blows the cold air into the room.

The gas is passed through a compressor, which increases the pressure and converts the gas into liquid.

In this process, heat is released, which is led to pipes on the opposite side and blown out by a fan.

A thermostat shuts off the unit when the indoor air is cold enough.

1. SECURITY WARNINGS



Flammable material. This appliance contains R290/ Propane a flammable refrigerant.



Refer to this manual for safety information.



Read technical manual



Read operators manual.

SAFETY INFORMATION

Before the installation and use of the appliance, carefully read the supplied instructions. The manufacturer is not responsible if an incorrect installation and use causes injuries and damages. Always keep the instructions with the appliance for future reference.

Children and vulnerable people safety

WARNING

Risk of injury or permanent disability.

This appliance can be used by children aged 8 years and above and persons with reduced physical, sensory or mental capabilities or lack of experience and knowledge if they have been given supervision or instruction concerning use of the appliance in a safe way and understand the hazards involved.

Do not let children play with the appliance.

Children of less than 3 years should be kept away unless continuously supervised.

Keep all packaging away from children.

Cleaning and user maintenance shall not be made by children without supervision.

General Safety

This appliance is intended to be used in household and similar applications such as: Family room, living room, staff kitchen areas in shops, offices and other working environments. The rating plate is located at the side or back of the Air Conditioner.

Keep ventilation openings clear of obstruction.

Do not use mechanical devices or other means to accelerate the defrosting process, other than those recommended by the manufacturer.

The appliance shall not be stored in a room with operating ignition sources (for example: open flames, an operating gas appliance or an operation electric heater. Do not pierce or burn.

Be aware that refrigerants may not contain an odour. Do not use water spray and steam to clean the appliance. Clean the appliance with a moist soft cloth. Only use neutral detergents. Do not use abrasive products, abrasive cleaning pads, solvents or metal objects. If the supply cord is damaged, it must be replaced by the

manufacturer, its Authorised Service Centre or similarly qualified persons in order to avoid a hazard.

SAFETY INSTRUCTIONS

Installation

WARNING

Only a qualified person must install this appliance.

Remove all the packaging.

Do not install or use a damaged appliance. The appliance shall be installed, operated and stored in a room with a floor area larger than 4 m². Obey the installation instruction supplied with the appliance.

Always be careful when you move the appliance because it is heavy. Always wear safety gloves. Be aware that refrigerants may not contain an odour.

Make sure the air can circulate around the appliance. Wait at least 4 hours before connecting the appliance to the power supply. This is to allow the oil to flow back in the compressor. Do not install the appliance close to radiators or other heat sources. Do not install the appliance where there is direct sunlight.

Electrical connection

WARNING

Risk of fire and electrical shock. The appliance must be connected to a grounded outlet. Make sure that the electrical information on the rating plate matches with the power supply. If not, contact an electrician.

Always use a correctly installed shockproof socket.

Do not use multi-plug adapters and extension cables.

Make sure not to cause damage to the electrical components (e.g. mains plug, mains cable).

Contact the Authorised Service Centre or an electrician to change the electrical components.

The mains cable must stay below the level of the mains plug.

Connect the mains plug to the mains socket only at the end of the installation.

Make sure that there is access to the mains plug after the installation.

Do not pull the mains cable to disconnect the appliance. Always pull at the mains plug.

Use

WARNING

Risk of injury, burns, electrical shock or fire.

Do not change the specification of this appliance.

Be careful not to cause damage to the refrigerant circuit. It contains propane (R290), a natural gas with a high level of environmental compatibility. This gas is flammable.

If damage occurs to the refrigerant circuit, make sure that there are no flames and sources of ignition in the room. Ventilate the room.

Do not put flammable products or items that are wet with flammable products near or on the appliance.

Disposal

WARNING

Risk of injury.

Disconnect the appliance from the mains supply.

Cut off the mains cable and discard it.

The refrigerant circuit of this appliance is ozone-friendly.

Contact your municipal authority for information on how to discard the appliance correctly.

Do not cause damage to the part of the cooling unit that is near the heat exchanger.

SET UP AIR CONDITIONER FOR INSTALLATION

Installation

BEFORE FIRST USE

Let the machine stand up for 2 hours before use

Selecting a Location

Important

1. This air conditioner may be moved around indoor conveniently; keep the unit in upright position while moving it. The air-conditioner shall be placed at a flat surface.

Do not install or operate this air conditioner in a bathroom or other wet environment.

Since a portable air conditioner is on wheels, it is easy to change positions. When the heat turns on, you just move your portable air conditioner into the room and can quickly get started cooling the space.

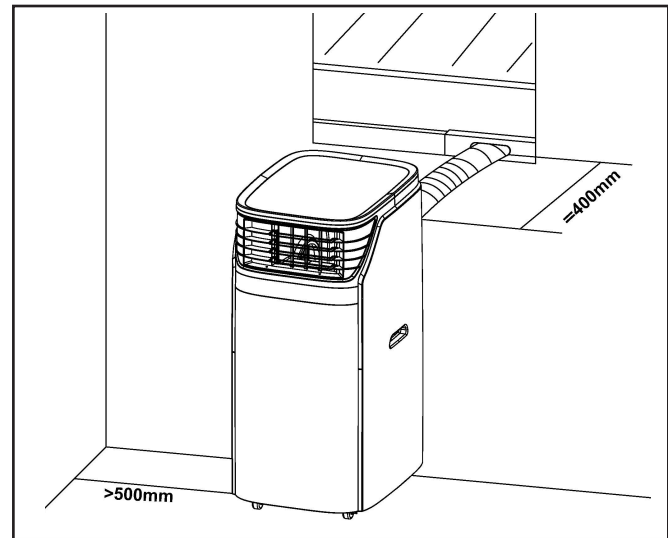
Air conditioner must be operated in an enclosed area to be most effective.

Close all doors, windows, and other outside openings to the room. The effectiveness of the air Conditioner depends on the temperature and humidity level.

2. Place the air conditioner in a location that does not restrict airflow through the front of the unit.

3. An air conditioner operating in a room will have little or no effect in drying an adjacent enclosed storage area, such as a closet, unless there is adequate circulation of air in and out of the area. A portable air Conditioner evacuates the heat from the unit with a ventilation hose through a window or exhaust air valve.

4. There should be a minimum of 30 cm distance between Air Conditioner and closest object. See picture for reference.



PRODUCT DESCRIPTION

3. Product description

A

1. Air Exhaust Hose
2. Connector of Air Exhaust Hose
3. Window Exhaust Adapter
4. Remote Controller
5. Water Plug
6. Baffle Plate

B

1. Product Front picture


















C

1. Control panel
2. Cold Air Outlet
3. Transport Handle
4. Air Outlet Hose
5. Evaporator Air Intake
6. Primary Drain Port

D

1. Product Top Picture

E

1.  Cooling
2.  Dehumidify
3.  Heating
4.  Sleeping
5.  Auto
6.  High Fan Mode
7.  Mid Fan Mode
8.  Low Fan Mode
9.  WIFI
10.  Sleep Button
11.  Timer Button
12.  Swing Button
13.  Timer / Temperature Up Button
14.  Timer / Temperature Down Button
15.  Fan Speed Button
16.  Function Button
17.  Power Button

F

1. How to disassemble the filter for cleaning.

G

1. Remote control with AAA-Batteries

H

1. Twist both ends of the exhaust hose into the Hose Connector.

I

1. Drain Plug

J

1. Introduction to Exhaust Hose Installation

K

1. Introduction to Exhaust Hose Installation

L

1. Make sure that there is no kinks in the exhaust hose.

M

1. Lift machine to expose exhaust hose storage.

FUNCTION OF THE OPERATION MODES AND INSTALLATION DESCRIPTIONS

A. Accessories

After unpacking, please check whether the above-mentioned accessories are included, and check their purposes in the installation introduction in this manual.

B. Mobile air conditioner

J. Appearance and Function of Remote Control.

Notes:- Do not drop the remote control.- Do not place the remote control in a location exposed to direct sunlight.

M. Operation Introduction

Before starting operations in this section:

- 1) Find a place where there is power supply nearby.
- 2) Install the exhaust hose, and adjust the window position well.
- 3) Connect drain hose well (only for using heating model);
- 4) Insert the power cord into an grounded AC220~240V/50Hz socket;
- 5) Press the POWER button to turn on the air-conditioner.

K&L. Introduction to Exhaust Hose Installation

A) Temporary installation

1. Twist both ends of the exhaust hose into the Hose Connector.
2. Insert the square fixing clip into air outlet at back of the air conditioner
3. Put the other end of the exhaust hose to the near windowsill.

N. Window Slider Kit Installation

The installation manner of window slider kit is mostly in "horizontal" and "vertical". As shown Fig.5 and Fig.5a, check the min. and max. size of the window before the installation.

1. Install the window kit on the window ;
2. Adjust the length of the window slider kit according to the window width or height, and fix it with the dowel;
3. Insert the Window connector hose to the hole of the Window kit.

O. Internal Tank Water Full Alarm Function

The inner water tank in the airconditioner has one water level safety switches, it controls water level. When water level reaches an anticipated height, the water full indicator lamp lights up. Error code "E4" will show on the display. (If water pump is damaged, when the water is full, please remove the rubber blockage at the bottom of unit, and all water will be drained

It is very important that the filter is cleaned regularly; otherwise the air conditioner might lose capacity and even be seriously damaged.

outside.)

H. Maintenance Explanations Declaration:

- 1) Before cleaning, be sure to disconnect the unit from any electric supply outlet;
- 2) Do not use gasoline or other chemicals to clean the unit;
- 3) Do not wash the unit directly;
- 4) If the conditioner is damaged, please contact the dealer or repair shop.
 1. Air Filter
 - If the air filter becomes clogged with dust/dirt, the air filter should be cleaned once every two weeks.
 - Dismounting
 - Open the air inlet grille and take off air filter.
 - Cleaning
 - Clean the air filter with a neutral detergent in lukewarm (40°C) and let dry in the shade.
 - Mounting
 - Putting the air filter into the inlet grille, replace the components as they were.
 2. Clean the Air-conditioner Surface
 - First clean the surface with a neutral detergent and wet cloth, and then wipe it with a dry cloth.

E. Before using

Check up whether the exhaust hose has been mounted properly.

Cautions for cooling and dehumidifying operations:

-When using functions on cooling and dehumidifying, keep an interval of at least 3 minutes between each POWER.

-Power supply meets the requirements.

-The socket is for AC use.

-Do not share one socket with other appliances.

-Power supply is AC220-240V, 50Hz

1. Turn on the unit

a) Plug in, then the unit beeps once, "O" The power indicator light is on.

b) Press the "P" button, then the unit is turned on.

c) The LED displays the room temperature and under Automatic mode.

2. Cooling operation

-Press the "Mode" button till the "Cool" icon appears.

-Press the "+" or "-" button to select a desired room temperature.

(15°C -31°C)

-Press the "Fan Speed" button to select wind speed.

3. Dehumidifying operation

Press the "Mode" button till the "Dehumidify" icon appears .

-Automatically set the selected temperature to current room temperature minus 2°C .

-Automatically set the fan motor to LOW wind speed.

4. Fan operation

-Press the "Mode" button till the "Fan" icon appears.

-Press the "Fan Speed" button to select wind speed.

5. Heating operation (this function is not available for a cold-single unit)

-Press the "Mode" button till the "Heat" icon appears.

-Press the "+" or "-" button to select

FUNCTION OF THE OPERATION MODES AND INSTALLATION DESCRIPTIONS

a desired room temperature.

(15°C - 31°C)

-Press the "Fan Speed" button to select wind speed.

6. ⏰ Timer operation

a) Press the "Timer" button to set Automatic Off time while the unit is running.

b) Press "Timer" button to set Automatic off time while the unit is ready.

c) The time can be adjustable within a range of 1 hour to 24 hours. Press the

temp up (+) or temp down (-) button to increase or decrease the time 1 hour by pressing once.

7. 🌙 Operation

a) The 🌙 operation is effective when the unit is under ❄️ mode.

b) Press the 🌙 button in ❄️ mode, then the unit will work under sleep mode and the up centrifugal fan will turn to low speed automatically. The set temperature will increase 1°C After one hour and increase 2°C after two hours. After six hours, the unit will stop running.

8. 🔄 Operation

a) when the swing button is activated, the swing blade swings up and down automatically. If you want to stop, press the button again.

Internal Tank Water Full Alarm Function

The inner water tank in the airconditioner has one water level safety switches, it controls the water level. When water level reaches an anticipated height, the water full indicator lights up. When the water is full, please remove the rubber blockage from the drainage hole at the bottom of unit, and drain all water outside.

Continuous Drainage

-When you plan to leave this unit unused for a long time, please remove the rubber blockage from the drainage hole at the bottom of unit,

and drain all water outside.

-You can use the continuous drainage with a drainage hose connected to the bottom drain hole, when the unit working at the HEAT mode.

-The continuous drainage is not need to be applied when the unit working at the COOL or DEHUMIDIFY mode.

The unit can evaporate the condensate water automatically by the splash motor. Make sure the drainage holes are stemmed well.

-If water splash motor is damaged, continuous drainage can be used.

To connect the drain hose to the bottom drain hole, the unit can also work well.

-If splash motor is damaged, intermittent drainage can also be used. Under this condition, when the water full indicator lights up, please connect a drain hose to the bottom drainage hole, then all the water in the water tank will be drained outside. The unit can also work well.

Maintenance

Clean the unit with a soft moist cloth. Do not use solvents or strong cleaners as this might damage the surface of the unit.

Service

If the Air Conditioner requires servicing, you must first contact your local retailer. Proof of purchase is required for all warranty claims.

Storage instructions

End of Season Storage

- 1) Screw off the drain cover and pull out the stopper to drain condensate water completely.
- 2) Keep unit running in fan mode for half day to dry inside of unit completely to prevent from going moldy.
- 3) Turn off the unit, pull out plug then wrap the power cord around the wire-winding pillar, insert the plug into the

universal fixing hole at the back panel of the unit, install the water stopper and drain cover.

4) Remove the heat exhaust hose assembly, clean and keep it properly.

Notes:

Hold the exhaust hose assembly with both hands when removal.

Push the fasteners aside on exhaust air outlet using your thumbs, then pull out exhaust hose assembly.

5) Pack the air-conditioner properly with soft plastic bag and put it in dry place with appropriate dust-proof measures, and keep the unit away from children.

6) Take out the batteries from the remote control and keep it properly.

Note:

Assure the unit is stored in a dry place.

All accessories of the unit shall be protected

together properly

Power cord holder and universal socket can well protect the power cord.

High position of exhaust air outlet, easy assembly and venting quickly.

Intelligent, environmental-friendly and energy saving with self-evaporative cooling system.

24-hour Timer function, unique on/off reminding music.

3-minute delay re-starting protection to compressor and other multiple protection functions.

PROBLEM	CAUSE	REMEDY
Unit does not start when pressing on/off button	Not plugged in / Plug or socket is damaged.	Plug in or replace the power or socket.
	Fuse broken	Replace the fuse (3.15A/250AC)
	Room temperature is lower than the setting temperature. (Cooling mode)	Reset the temperature
Not cool enough	The doors or windows are not closed.	Make sure all the windows and doors are closed.
	There are heat sources inside the room.	Remove the heat sources if possible
	Exhaust air hose is not connected or blocked.	Connect or clean the exhaust air hose.
	Temperature setting is too high.	Reset the temperature
	Air inlet is blocked.	Clean the air inlet.
High noise level	The ground is not level or not flat enough	Place the unit on a flat, level ground if possible
	The sound comes from the flowing of the refrigerant inside the air conditioner	It is normal.
If you are having trouble with your dehumidifier, please refer to below trouble shooting. If nothing of the below works, please contact your retailer for servicing of your Air Conditioner.		

Error Codes	CAUSE	REMEDY
E2 Code	Room temperature sensor failed or is damaged.	Replace room temperature sensor
E3 Code	Evaporator temperature sensor failed.	Replace evaporator temperature sensor
E4 Code	Water tank full	Please empty the water tank.

Guarantees

2 years consumer warranty against production faults. Please note that the warranty is only valid upon the production of the receipt. The warranty is only valid if the product is used in accordance with the instructions and security warnings expressed in this manual. The warranty does not cover any damages caused by improper handling of the product.

NOTE: The 2 years warranty only applies for consumers and not for commercial use of the unit.



NOTE!

Register at www.warranty-woods.com and read about how to get extended warranty. Please visit www.woods.se for more information.

Recommended limits for use

The best operating ambient temperature for cooling is 17-35 °C, and the optimum ambient temperature for heating is 8-25 °C. The unit runs up to +43°C .Fuse Parameter: φ5.0x20mm 3.15A, 250Vac.

TECHNICAL DATA

	AC Palermo 18K	AC Palermo 22K
Cooling capacity	5300 W	6500 W
Power consumption	750 W	2500 W
Air flow:	950 m ³ /h	950 m ³ /h
Energy class	A	A
Dehumidification	60 L / 24h	64,8 L / 24h
Temperature setting	17-30°C	17-30°C
Working temperatur	16-43°C??	16-43°C??
EER	2,6	2,6
Drain Hose Length	1,0 m	1,0 m
Hose Diameter / Length	200mm / 1,5m	200mm / 1,5m
Refrigerant gas	R290/000g??	R290/560g
Noise level in decibels	63dB / 65dB	63dB / 65dB
Weight	55kg	67kg
Dimensions in mm, L x Bx H	540x695x1140	540x695x1140

*Technical changes and improvements may occur. All values are approximate and may vary due to external circumstances such as temperature, ventilation and humidity.



*This marking indicates that this product should not be disposed with other household wastes throughout the EU. To prevent possible harm to the environment or human health from uncontrolled waste disposal, recycle it responsibly to promote the sustainable reuse of material resources. To return your us device, please use the return and collection systems or contact the retailer where the product was purchased. They can take this product for environmental safe recycling.